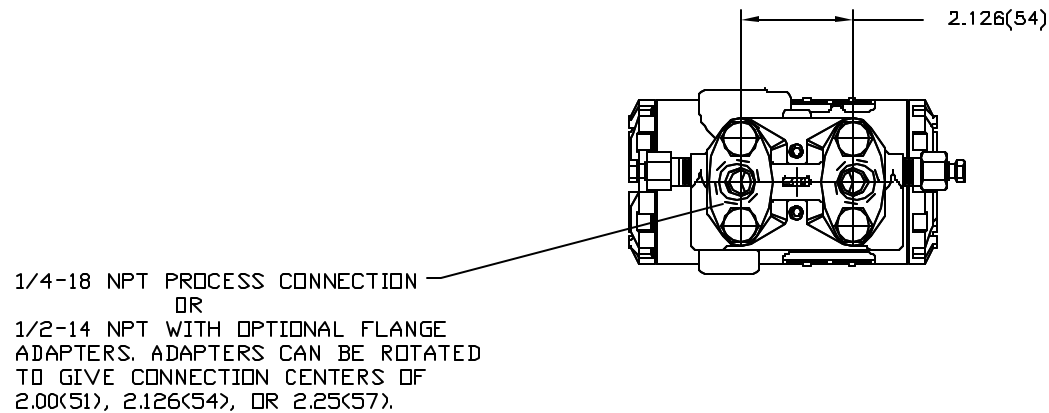
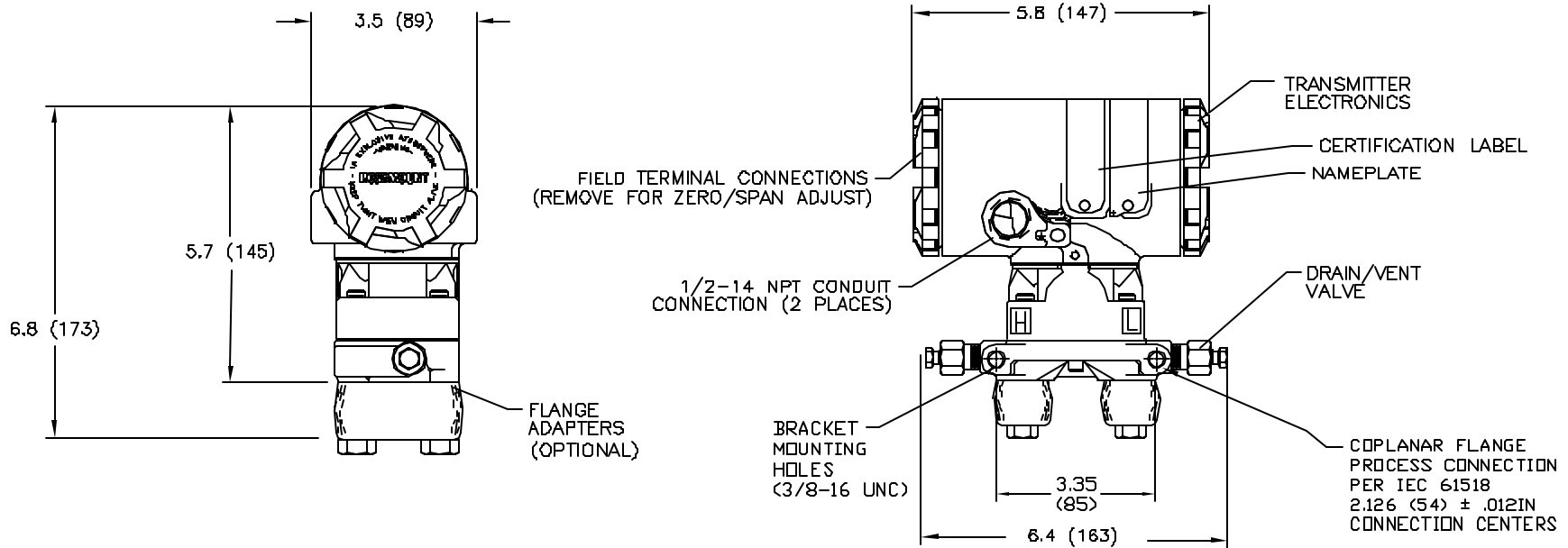


Product Discontinued

REVISIONS				
REV	DESCRIPTION	CHG.NO.	APP'D	DATE
AB	CREATE NEW TYPE 1 DRAWINGS	RTD1014430	N.H.	12/18/02



*UNLESS OTHERWISE SPECIFIED DIMENSIONS IN INCHES (MM)

*ALL DIMENSIONS ARE NOMINAL AND ARE FOR REFERENCE ONLY



TYPE I

ROSEMOUNT INC. CHANHASSEN, MINNEBOTA

DR. JOHN ARMSTRONG	12/18/02
APP'D. DRAWING N. HAYWOOD	12/18/02
APP'D. DRAWING	
APP'D. TAGGING	
APP'D. SPECIALS	

TITLE		DIMENSIONAL DRAWING FOR MODEL 2024 PRESSURE TRANSMITTERS	
SIZE	FSCM.NO.	DRAWING NO.	
A	04274	D2024-1154	
SCALE: NONE	WT.	SHEET 1 OF 1	