

Configuration Data Sheet

Calculations conducted per ASME/ANSI PTC 19.3 but with Strouhal number varying with Reynolds number.

Company Information

Requesting Company: Phone: Fax:
 Contact Tag Number
 End Customer Date of Request:

Thermowell Information (Information for either (a), (b), or (c) required)

- a) Rosemount Thermowell Part Number (example 0091A030FS2T040PR01):
- b) Rosemount Sensor Model Number (example 0078R21C30A120F54):
- c) Generic Thermowell Information:

Thermowell Material:

- Stem Style: Straight
 Stepped
 Tapered

- Mounting Style: Threaded
 Welded
 Flanged

- If flanged, specify: ANSI/ASME
 DIN

Size: Class:

Thermowell Bore Diameter (D):

Tip Diameter (A):

Tip Thickness (T):

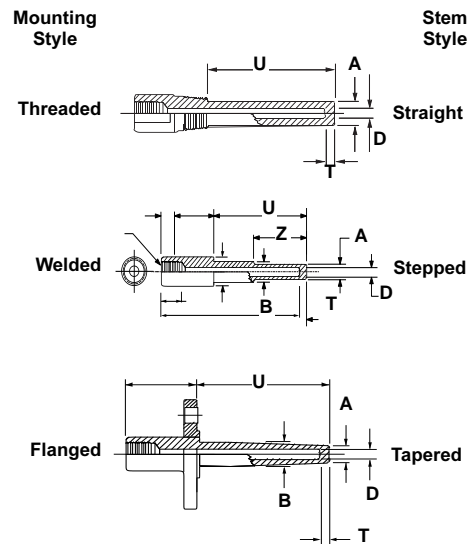
Length from Tip to Support (U):

Root Diameter (B):

(same as (A) for straight thermometers)

Length of Tip Diameter (Z):

(stepped thermowells only)



SENSORS_0010B, 0016B, 0047B

Service:	Liquid	Gas	Steam	Fluid Description:		
Operating Fluid Flow Rate; Maximum:						
Operating Fluid Flow Rate Units:						
gal/s	gal/min	gal/hr	l/s	l/min	l/hr	ft/s
ft ³ /min	ft ³ /hr	bbl/hr	impgal/s	impgal/min	impgal/hr	m/s
m ³ /min	m ³ /hr	shon/hr	lb/hr	kg/s	kg/hr	other:
Operating Max. Fluid Pressure:			Gauge Absolute			
Viscosity:			kg/m•s (Pa•s) <input type="checkbox"/> Centipoise			
Operating Fluid Specific Temperature:			<input type="checkbox"/> °F <input type="checkbox"/> °C	Operating Fluid Density:	m ³ /kg ft ³ /lbm	
Specific Volume:			<input type="checkbox"/> at process conditions <input type="checkbox"/> at standard conditions (STP)			

Process Pipe Size:

Pipe Schedule:

For Rosemount Internal Use Only

Rosemount Order/Quotation # Line Item # Ship Set # ID #
 Customer Order/Item # Salesperson:
 Cont. Admin. Tech. Specialist:

Sensors and Accessories (English)

NOTES

Product Data Sheet

00813-0100-2654, Rev FA
Catalog 2006 - 2007

Sensors and Accessories (English)

*Rosemount and the Rosemount logotype are registered trademarks of Rosemount Inc.
Teflon is a registered trademark of E.I. du Pont de Nemours & Co.
Hastelloy is a registered trademark of Haynes International.
Monel and Inconel is a registered trademark of International Nickel Co.
All other marks are the property of their respective owners.*

Emerson Process Management

Rosemount Inc.

8200 Market Boulevard
Chanhassen, MN 55317 USA
T (U.S.) 1-800-999-9307
T (International) (952) 906-8888
F (952) 949-7001

www.rosemount.com



Emerson Process Management

Heath Place
Bognor Regis
West Sussex PO22 9SH
England
T 44 (1243) 863 121
F 44 (1243) 867 554

Emerson Process Management Asia

Pacific Private Limited

1 Pandan Crescent
Singapore 128461
T (65) 6777 8211
F (65) 6777 0947
Enquiries@AP.EmersonProcess.com



EMERSON
Process Management