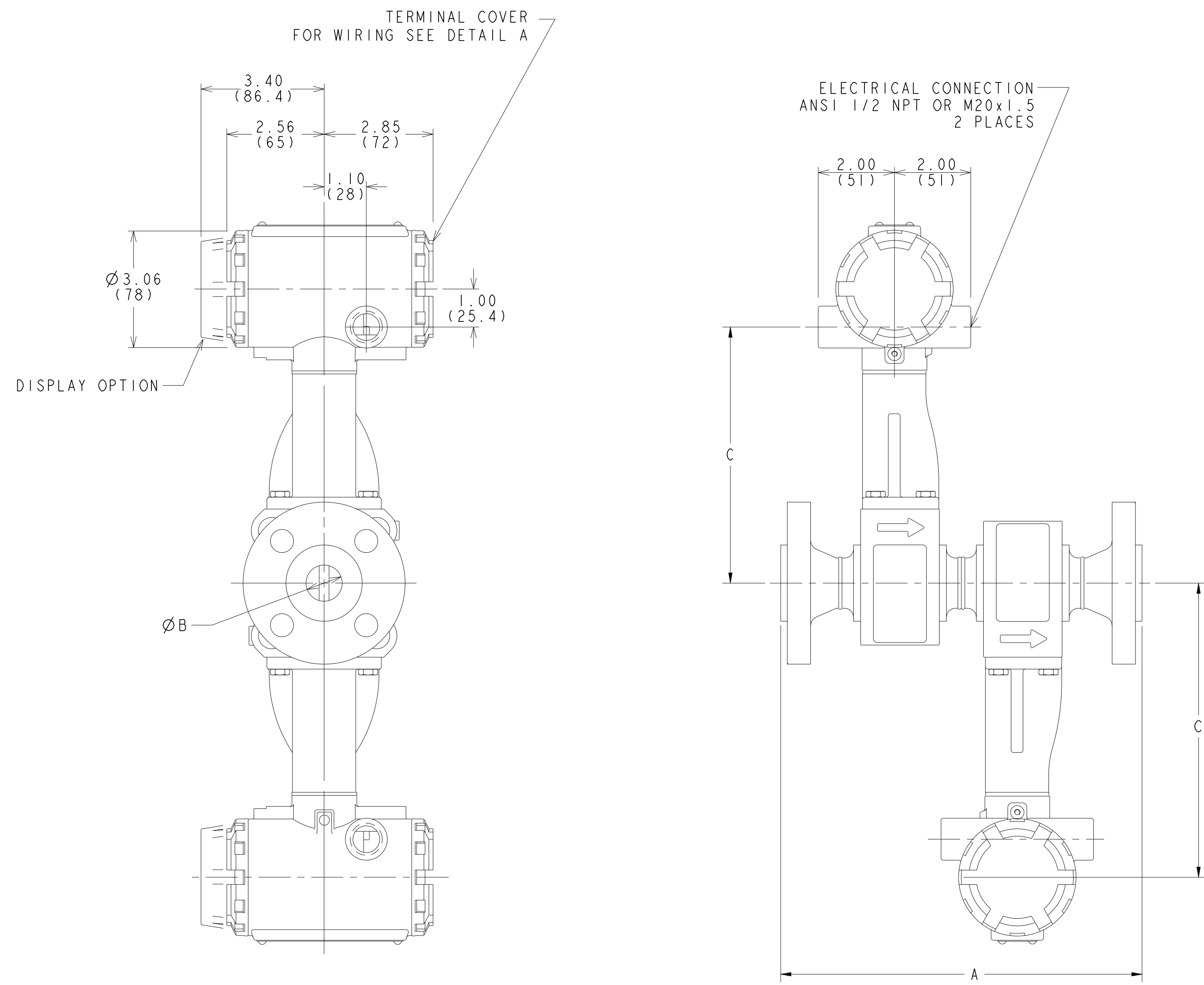


TABULATION
DASH NO.

REVISIONS				
REV	DESCRIPTION	ECO NO.	APP'D	DATE
BD	CHANGE 3.20 TO 3.40 ON DISPLAY COVER	RTC1055895	R.B.	1/17/13



1/2 - 1 1/2 INCH FLANGED STYLE

NOMINAL SIZE	A ±.17 (4.3) INCH (mm)	ASME RTJ A ±.17 (4.3) INCH (mm)	ØB ±.03 (0.8) INCH (mm)	C ±.20 (5.1) INCH (mm)	WEIGHT LB (kg)	
.5 IN METER DN15	150 LB	11.9 (302)	--	.54 (13.7)	7.6 (193)	16.2 (7.4)
	300 LB	12.3 (312)	12.7 (323)	.54 (13.7)	7.6 (193)	17.4 (7.9)
	600 LB	12.8 (325)	12.7 (323)	.54 (13.7)	7.6 (193)	17.9 (8.1)
	900 LB	13.4 (340)	13.4 (340)	.54 (13.7)	7.6 (193)	22.7 (10.3)
	PN16/40	11.2 (284)	--	.54 (13.7)	7.6 (193)	17.4 (7.9)
	PN100	11.7 (297)	--	.54 (13.7)	7.6 (193)	19.4 (8.8)
	PN160	11.7 (297)	--	.54 (13.7)	7.6 (193)	19.4 (8.8)
	JIS 10K/20K	11.4 (290)	--	.54 (13.7)	7.6 (193)	17.3 (7.8)
	JIS 40K	12.4 (315)	--	.54 (13.7)	7.6 (193)	20.8 (9.4)
1 IN METER DN25	150 LB	15.0 (381)	15.6 (396)	.95 (24.1)	7.7 (196)	20.7 (9.4)
	300 LB	15.6 (396)	16.1 (409)	.95 (24.1)	7.7 (196)	23.3 (10.6)
	600 LB	16.1 (409)	16.1 (409)	.95 (24.1)	7.7 (196)	24.2 (11.0)
	900 LB	16.9 (429)	16.9 (429)	.95 (24.1)	7.7 (196)	32.8 (14.9)
	1500 LB	16.9 (429)	16.9 (429)	.95 (24.1)	7.7 (196)	32.8 (14.9)
	PN16/40	13.8 (351)	--	.95 (24.1)	7.7 (196)	21.9 (9.9)
	PN100	15.3 (389)	--	.95 (24.1)	7.7 (196)	28.0 (12.7)
	PN160	15.3 (389)	--	.95 (24.1)	7.7 (196)	28.0 (12.7)
	PN250	15.4 (391)	--	.95 (24.1)	7.7 (196)	32.0 (14.5)
JIS 10K/20K	14.0 (356)	--	.95 (24.1)	7.7 (196)	22.3 (10.1)	
JIS 40K	15.4 (391)	--	.95 (24.1)	7.7 (196)	26.0 (11.8)	
1.5 IN METER DN40	150 LB	11.3 (287)	11.8 (300)	1.49 (37.8)	8.1 (206)	27.0 (12.2)
	300 LB	11.8 (300)	12.3 (312)	1.49 (37.8)	8.1 (206)	32.4 (14.7)
	600 LB	12.4 (315)	12.4 (315)	1.49 (37.8)	8.1 (206)	34.8 (15.8)
	900 LB	13.4 (340)	13.4 (340)	1.49 (37.8)	8.1 (206)	45.9 (20.8)
	1500 LB	13.4 (340)	13.4 (340)	1.49 (37.8)	8.1 (206)	45.9 (20.8)
	PN16/40	9.9 (251)	--	1.49 (37.8)	8.1 (206)	28.7 (13.0)
	PN100	11.3 (287)	--	1.49 (37.8)	8.1 (206)	37.4 (16.9)
	PN160	11.4 (290)	--	1.49 (37.8)	8.1 (206)	38.8 (17.6)
	PN250	12.7 (323)	--	1.49 (37.8)	8.1 (206)	48.5 (22.0)
JIS 10K/20K	10.3 (262)	--	1.49 (37.8)	8.1 (206)	27.9 (12.7)	
JIS 40K	11.5 (292)	--	1.49 (37.8)	8.1 (206)	34.9 (15.8)	

FOR DISPLAY OPTION, ADD 0.4 LB (0.2 kg)

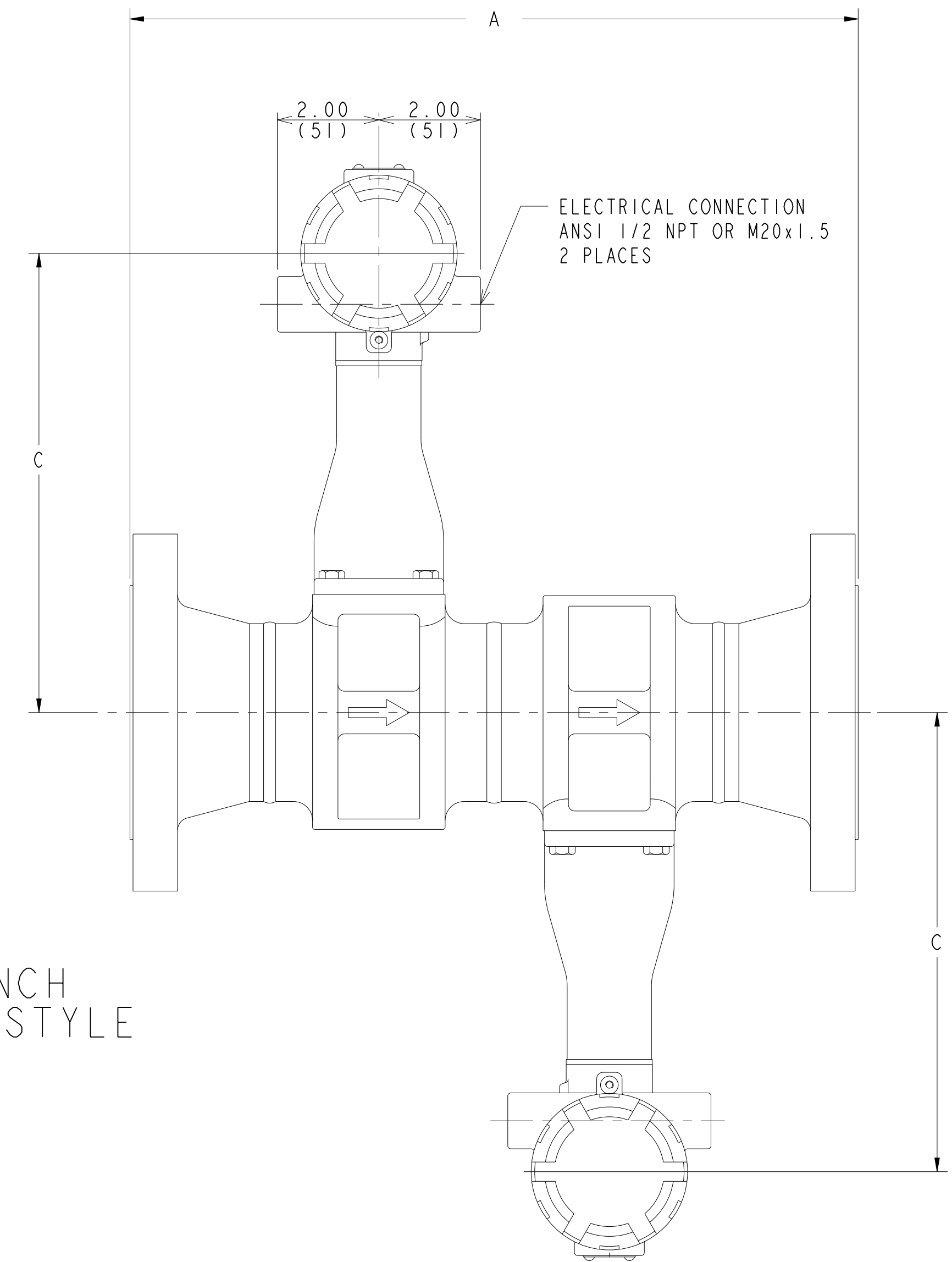
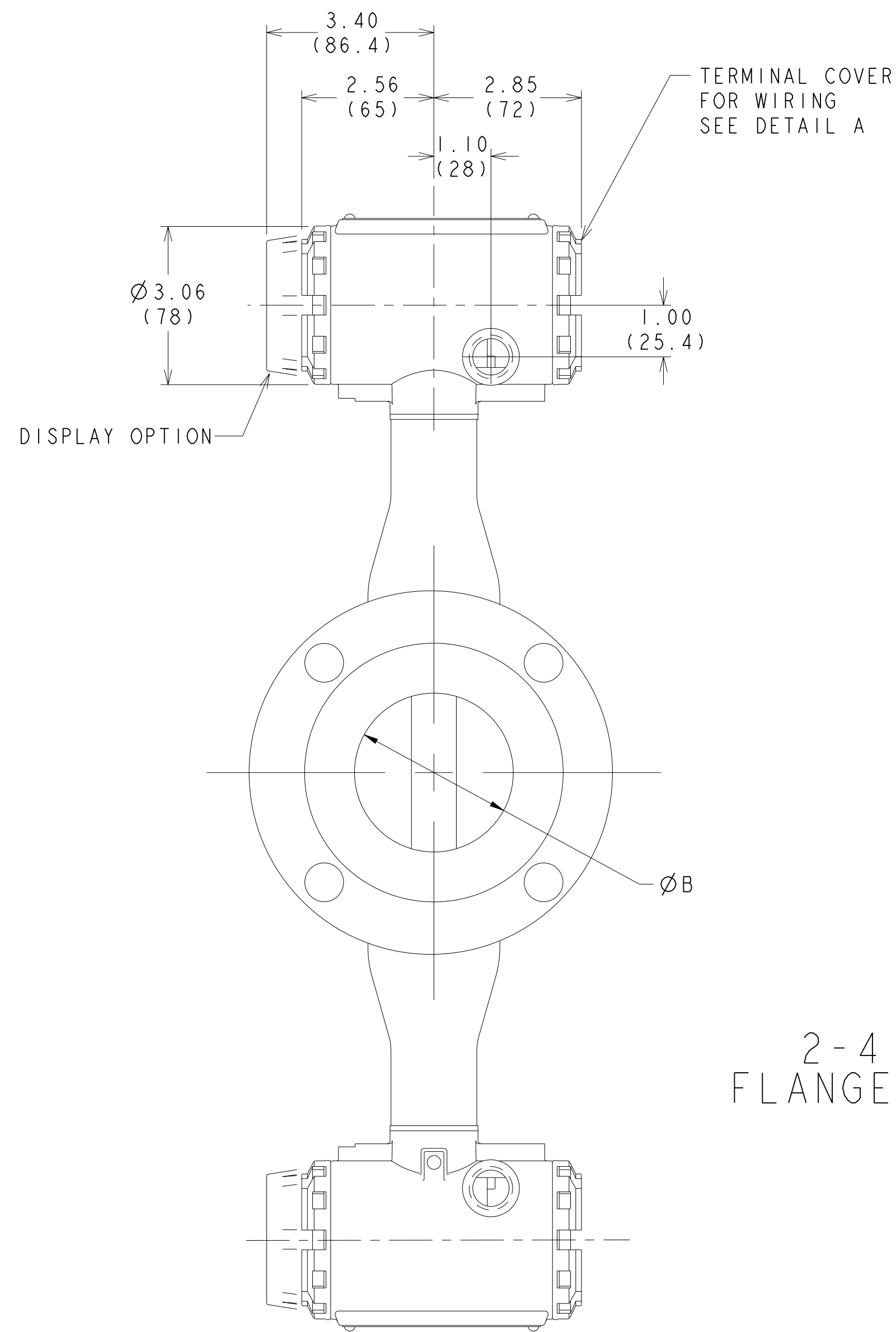
3. ROSEMOUNT CERTIFIES THESE DRAWINGS ARE IN ACCORDANCE WITH ROSEMOUNT ENGINEERING SPECIFICATIONS AND ACCURATELY REPRESENT THE EQUIPMENT FURNISHED.
2. REFERENCE INSTRUCTION MANUAL FOR DETAIL INSTALLATION INFORMATION AND WIRING CONNECTIONS.
1. DIMENSIONS ARE IN INCHES. DIMENSIONS SHOWN IN PARENTHESES ARE IN MILLIMETERS.

NOTES:

<small>CONFIDENTIAL AND PROPRIETARY INFORMATION IS CONTAINED HEREIN AND MUST BE HANDLED ACCORDINGLY.</small>	<small>UNLESS OTHERWISE SPECIFIED DIMENSIONS IN INCHES (mm). REMOVE ALL BURRS AND SHARP EDGES. MACHINE SURFACE FINISH: 125.</small>		
	<small>TOLERANCES:</small> .X ±.1 (2.5) .XX ±.02 (0.5) .XXX ±.010 (0.25)	<small>FRACTIONS ANGLES</small> ± 1/32 ± 2°	<small>DO NOT SCALE PRINT</small>
	<small>EMERSON</small> <small>ROSEMOUNT</small> <small>8200 Market Boulevard Chanhassen, MN 55317 USA</small>	INSTALLATION DRAWING 8800 VORTEX DUAL FLOWMETER	<small>DR. D. BROKRE 1/27/08</small> <small>APP'D D. BENGTSON 1/18/09</small>
<small>DRAWING NO. 08800-0006</small>		<small>REV. BD</small>	

NOMINAL SIZE		A±.17 (4.3) INCH (mm)	ASME RTJ A±.17 (4.3) INCH (mm)	ØB±.03 (0.8) INCH (mm)	C±.20 (5.1) INCH (mm)	WEIGHT LB (kg)
2 IN METER DN50	150 LB	13.0 (330)	13.5 (343)	1.92 (48.8)	8.5 (216)	31.9 (14.5)
	300 LB	13.5 (343)	14.0 (356)	1.92 (48.8)	8.5 (216)	35.7 (16.2)
	600 LB	14.3 (363)	14.3 (363)	1.92 (48.8)	8.5 (216)	39.4 (17.9)
	900 LB	16.5 (419)	16.7 (424)	1.92 (48.8)	8.5 (216)	69.1 (31.4)
	1500 LB	15.6 (396)	15.7 (399)	1.67 (42.4)	8.5 (216)	72.4 (32.9)
	PN16/40	11.8 (300)	--	1.92 (48.8)	8.5 (216)	32.8 (14.9)
	PN63/64	12.9 (328)	--	1.92 (48.8)	8.5 (216)	40.4 (18.3)
	PN100	13.4 (340)	--	1.92 (48.8)	8.5 (216)	46.2 (20.9)
	PN160	13.9 (353)	--	1.92 (48.8)	8.5 (216)	48.4 (21.9)
	PN250	13.8 (351)	--	1.67 (42.4)	8.5 (216)	57.1 (25.9)
	JIS 10K	11.5 (292)	--	1.92 (48.8)	8.5 (216)	29.1 (13.2)
	JIS 20K	12.0 (305)	--	1.92 (48.8)	8.5 (216)	30.0 (13.6)
JIS 40K	13.6 (345)	--	1.92 (48.8)	8.5 (216)	38.1 (17.3)	
3 IN METER DN80	150 LB	14.3 (363)	14.8 (376)	2.87 (72.9)	9.1 (231)	50.6 (23.0)
	300 LB	15.0 (381)	15.7 (399)	2.87 (72.9)	9.1 (231)	59.9 (27.2)
	600 LB	15.8 (401)	15.9 (404)	2.87 (72.9)	9.1 (231)	65.9 (29.9)
	900 LB	17.3 (439)	17.4 (442)	2.87 (72.9)	9.1 (231)	88.4 (40.8)
	1500 LB	18.5 (470)	18.7 (475)	2.60 (66.0)	9.1 (231)	123.8 (56.2)
	PN16/40	13.4 (340)	--	2.87 (72.9)	9.1 (231)	50.0 (22.7)
	PN63/64	14.5 (368)	--	2.87 (72.9)	9.1 (231)	58.7 (26.6)
	PN100	14.9 (378)	--	2.87 (72.9)	9.1 (231)	68.0 (30.9)
	PN160	15.6 (396)	--	2.87 (72.9)	9.1 (231)	73.4 (33.3)
	PN250	16.8 (427)	--	2.60 (66.0)	9.1 (231)	103 (46.9)
	JIS 10K	12.3 (312)	--	2.87 (72.9)	9.1 (231)	41.4 (18.8)
	JIS 20K	13.7 (348)	--	2.87 (72.9)	9.1 (231)	48.8 (22.1)
JIS 40K	15.5 (394)	--	2.87 (72.9)	9.1 (231)	63.7 (28.9)	
4 IN METER DN100	150 LB	15.2 (386)	15.7 (399)	3.79 (96.3)	9.6 (244)	69.7 (31.6)
	300 LB	16.0 (406)	16.6 (422)	3.79 (96.3)	9.6 (244)	88.9 (40.8)
	600 LB	17.7 (450)	17.9 (455)	3.79 (96.3)	9.6 (244)	116 (52.5)
	900 LB	18.7 (475)	18.9 (480)	3.79 (96.3)	9.6 (244)	139 (63.1)
	1500 LB	20.0 (508)	20.2 (513)	3.40 (86.4)	9.6 (244)	184 (83.3)
	PN16	13.3 (338)	--	3.79 (96.3)	9.6 (244)	58.7 (26.6)
	PN40	14.4 (366)	--	3.79 (96.3)	9.6 (244)	67.8 (30.8)
	PN63/64	15.4 (391)	--	3.79 (96.3)	9.6 (244)	80.8 (36.7)
	PN100	16.3 (414)	--	3.79 (96.3)	9.6 (244)	97.2 (44.1)
	PN160	17.1 (434)	--	3.79 (96.3)	9.6 (244)	104 (47.4)
	PN250	19.2 (488)	--	3.40 (86.4)	9.6 (244)	162 (73.4)
	JIS 10K	13.6 (345)	--	3.79 (96.3)	9.6 (244)	55.8 (25.3)
JIS 20K	13.6 (345)	--	3.79 (96.3)	9.6 (244)	63.8 (28.9)	
JIS 40K	16.8 (427)	--	3.79 (96.3)	9.6 (244)	94.2 (42.7)	

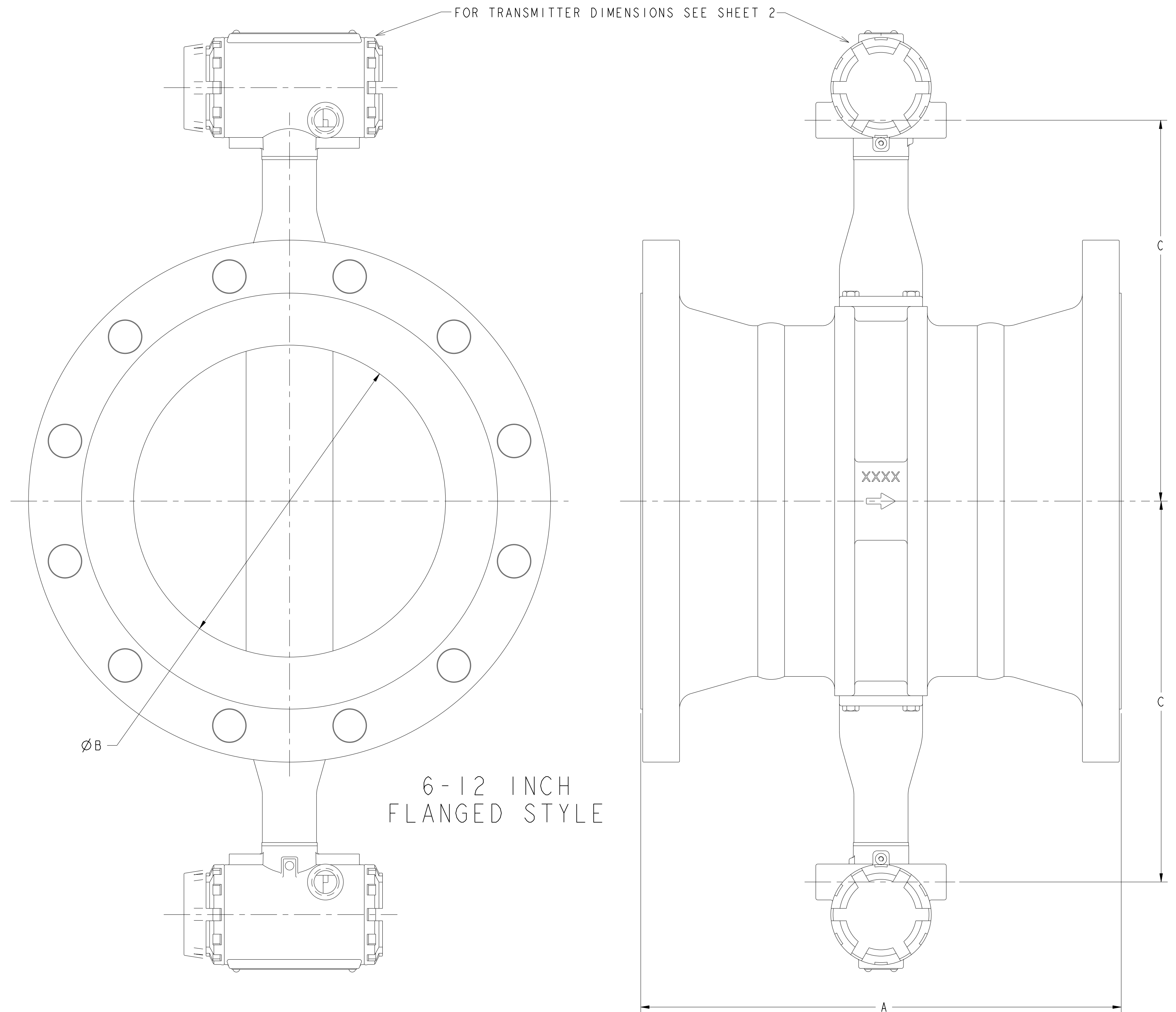
FOR DISPLAY OPTION, ADD 0.4 LB (0.2 kg)



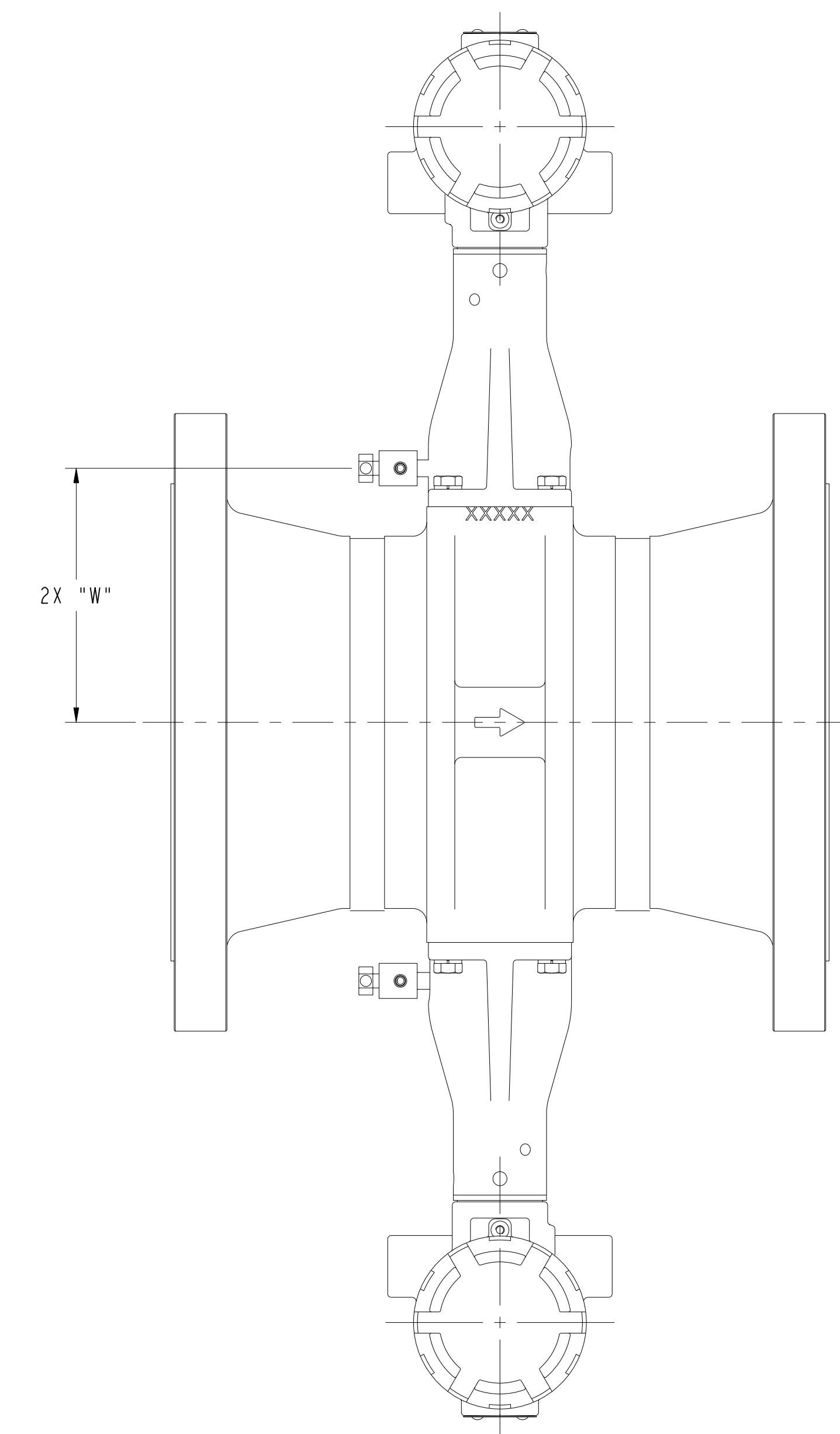
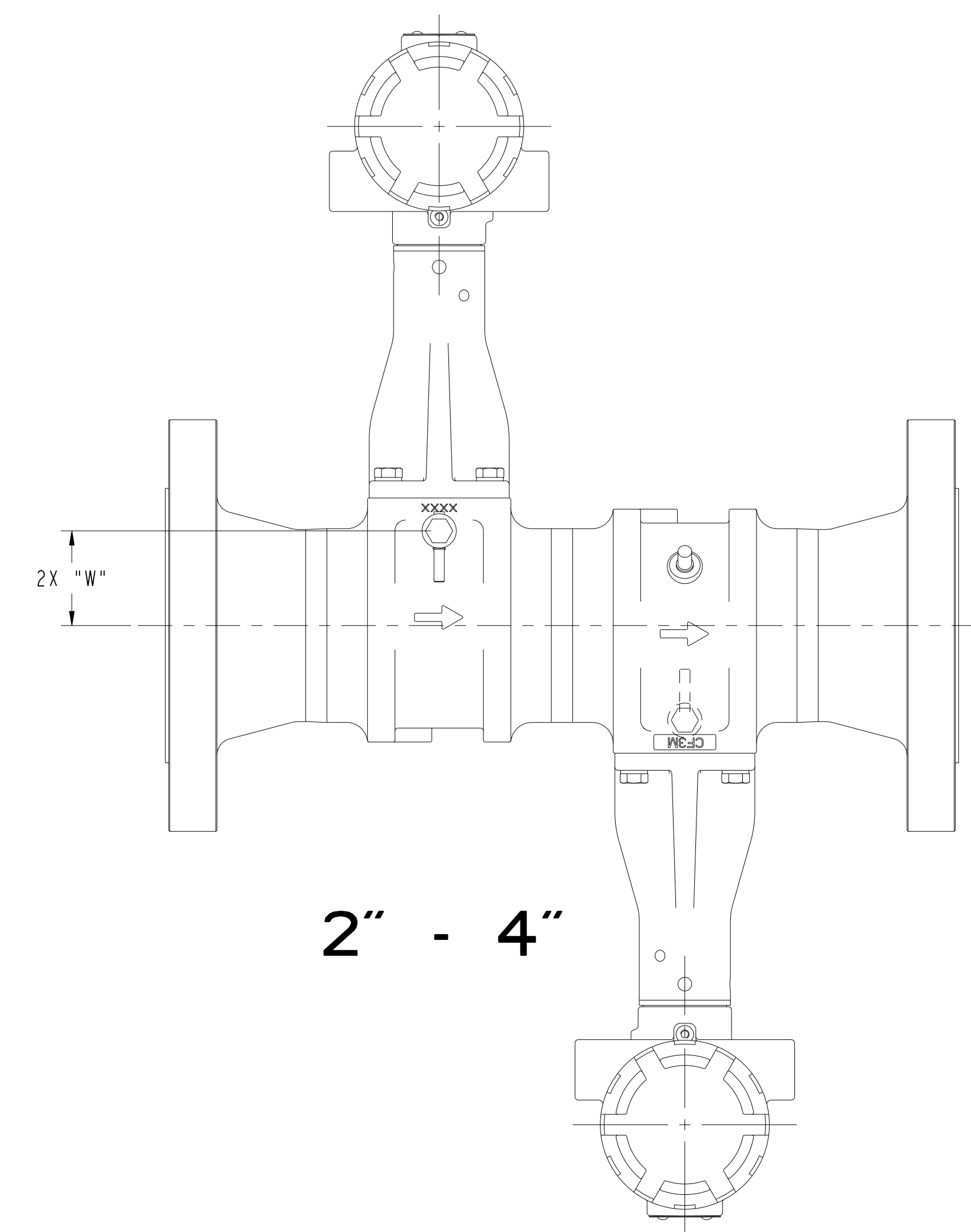
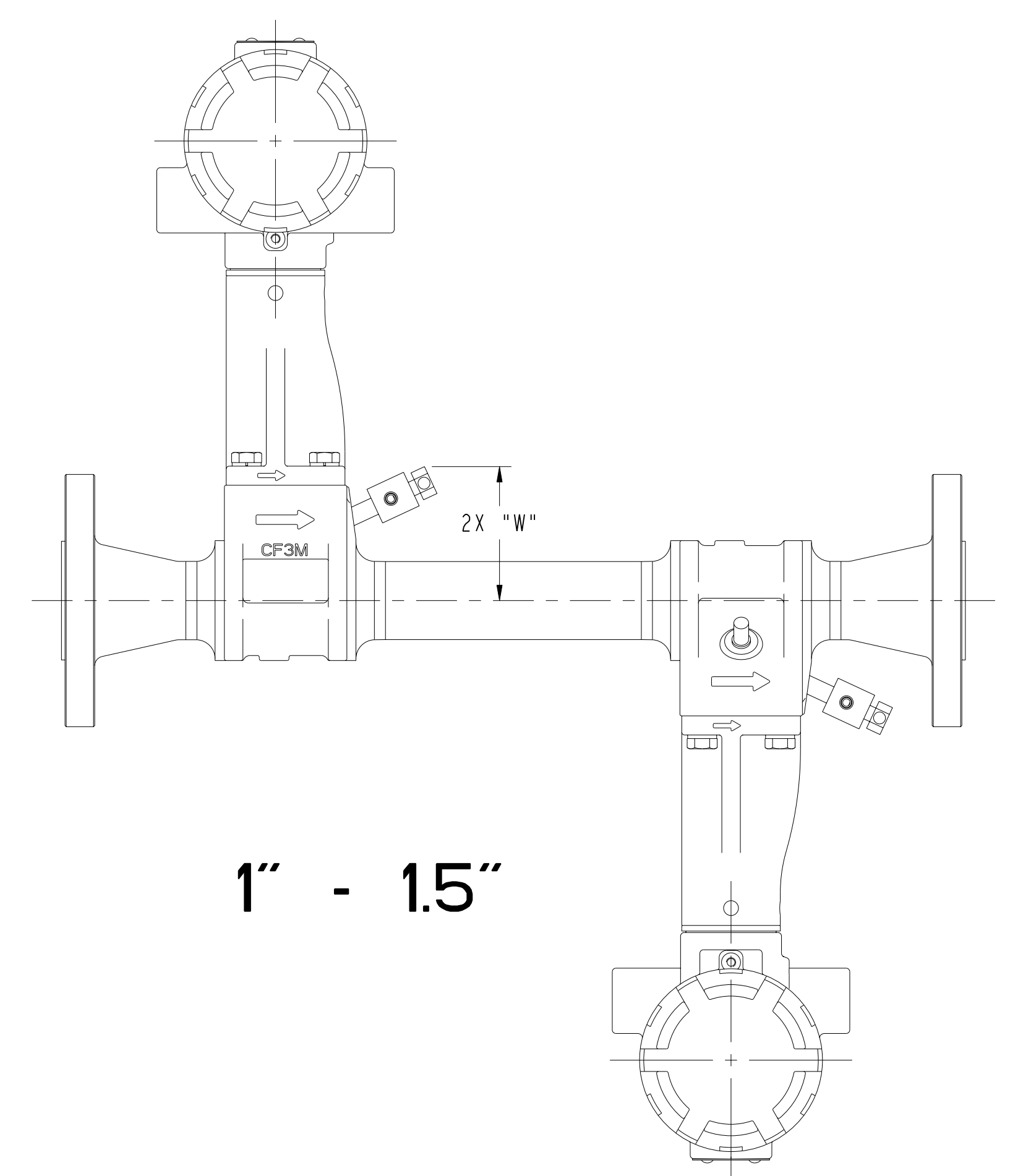
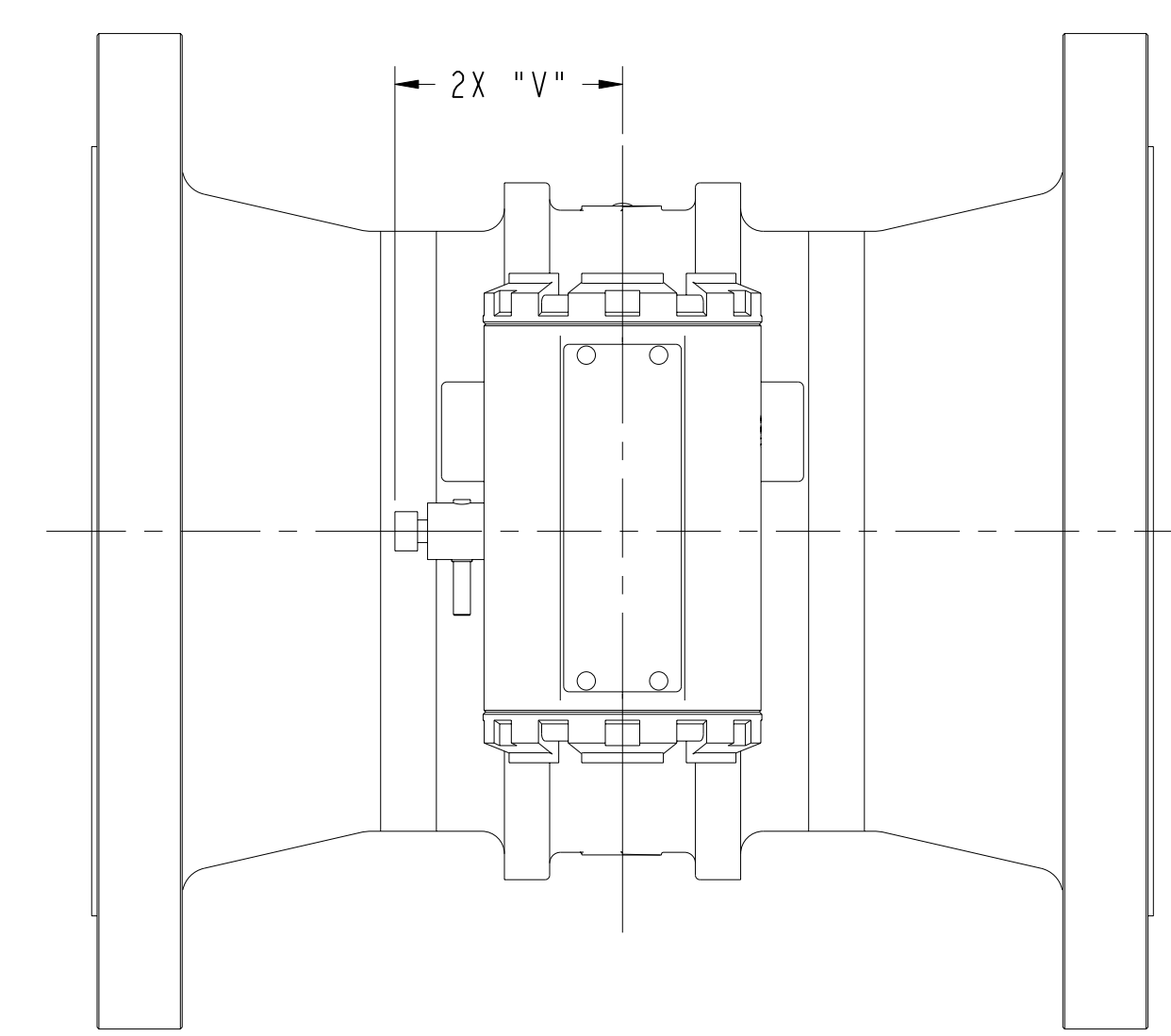
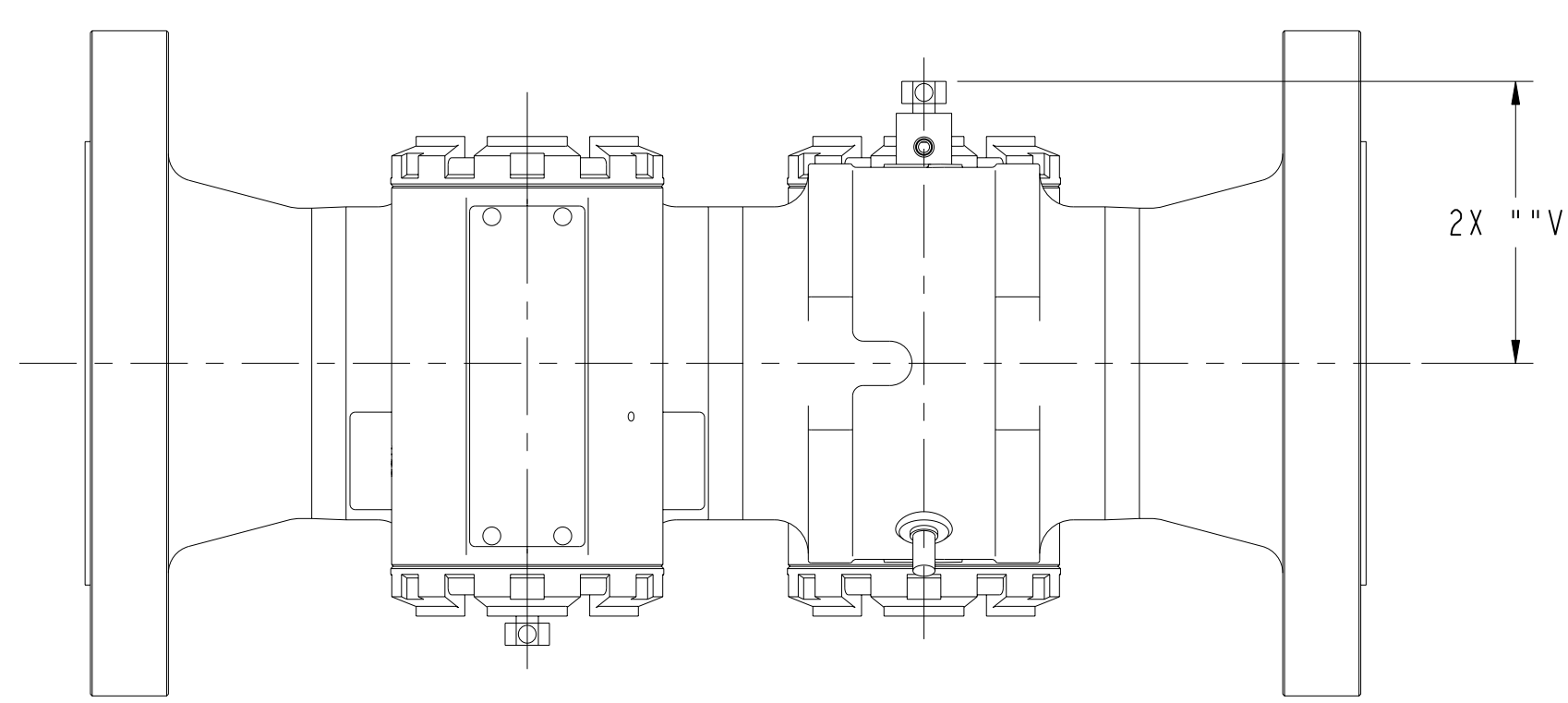
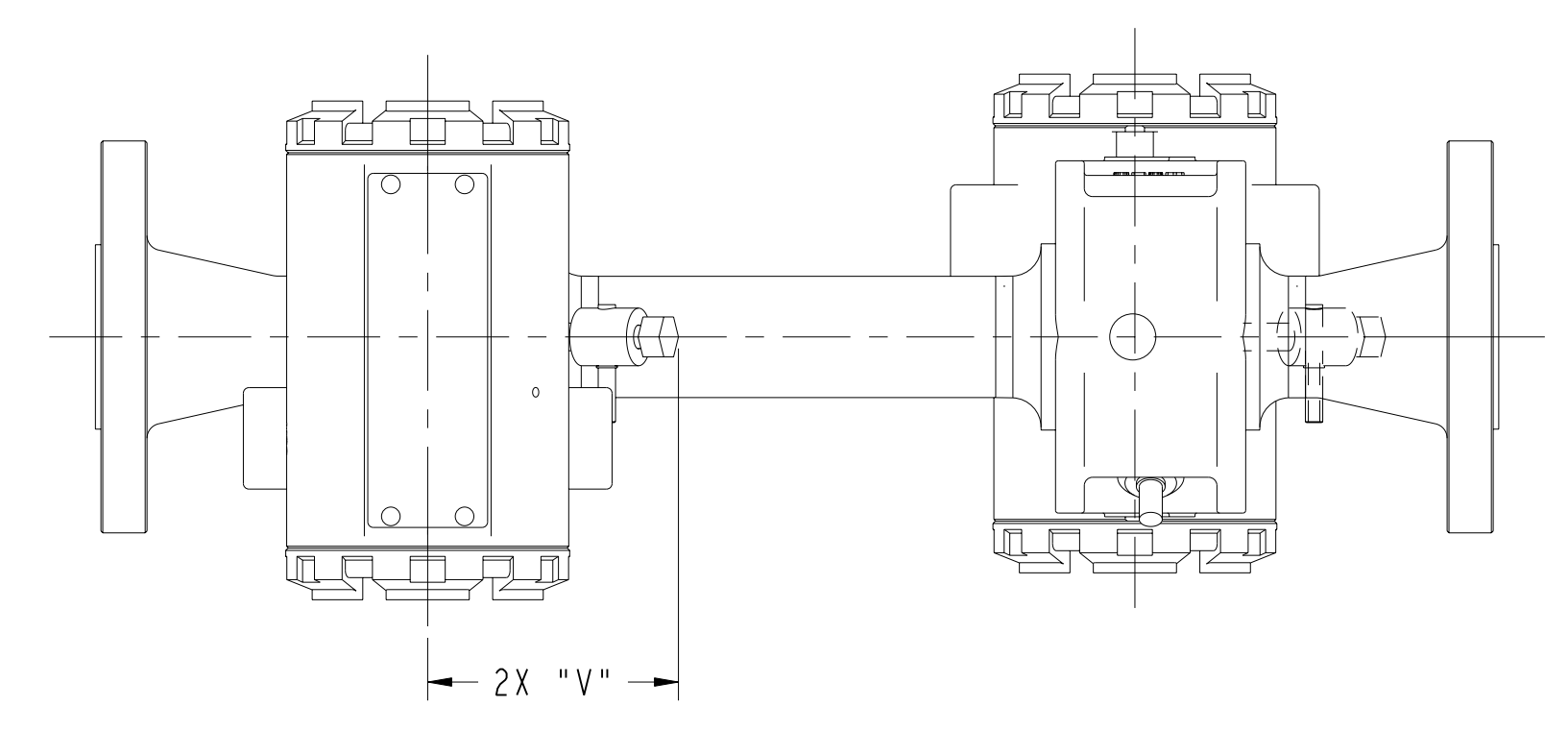
2-4 INCH
FLANGED STYLE

NOMINAL SIZE		A±.16 (4.1) INCH (mm)	ASME RTJ A±.16 (4.1) INCH (mm)	ØB±.03 (0.8) INCH (mm)	C±.20 (5.1) INCH (mm)	WEIGHT LB (kg)
6 IN METER DN150	150 LB	11.6 (295)	12.1 (307)	5.70 (144.8)	10.8 (274)	85 (39)
	300 LB	12.3 (312)	13.0 (330)	5.70 (144.8)	10.8 (274)	124 (57)
	600 LB	14.3 (363)	14.4 (366)	5.70 (144.8)	10.8 (274)	191 (87)
	900 LB	16.1 (409)	16.2 (411)	5.14 (130.6)	10.8 (274)	282 (128)
	1500 LB	18.6 (472)	18.8 (478)	5.14 (130.6)	10.8 (274)	380 (173)
	PN16	8.9 (226)	--	5.70 (144.8)	10.8 (274)	70 (32)
	PN40	10.5 (267)	--	5.70 (144.8)	10.8 (274)	90 (41)
	PN63/64	12.1 (307)	--	5.70 (144.8)	10.8 (274)	134 (61)
	PN100	13.6 (345)	--	5.70 (144.8)	10.8 (274)	164 (75)
	PN160	14.7 (373)	--	5.14 (130.6)	10.8 (274)	207 (94)
	PN250	17.2 (437)	--	5.14 (130.6)	10.8 (274)	316 (144)
	JIS 10K	10.6 (269)	--	5.70 (144.8)	10.8 (274)	74 (34)
	JIS 20K	10.6 (269)	--	5.70 (144.8)	10.8 (274)	92 (42)
JIS 40K	14.2 (361)	--	5.70 (144.8)	10.8 (274)	170 (77)	
8 IN METER DN200	150 LB	13.5 (343)	14.0 (356)	7.55 (191.8)	11.7 (297)	146 (66)
	300 LB	14.3 (363)	14.9 (378)	7.55 (191.8)	11.7 (297)	203 (92)
	600 LB	16.5 (419)	16.7 (424)	7.55 (191.8)	11.7 (297)	303 (138)
	900 LB	18.8 (478)	18.9 (480)	6.62 (168.1)	11.7 (297)	484 (220)
	1500 LB	22.8 (579)	23.2 (589)	6.62 (168.1)	11.7 (297)	657 (299)
	PN10	10.4 (264)	--	7.55 (191.8)	11.7 (297)	115 (52)
	PN16	10.4 (264)	--	7.55 (191.8)	11.7 (297)	114 (52)
	PN25	11.8 (300)	--	7.55 (191.8)	11.7 (297)	142 (65)
	PN40	12.5 (318)	--	7.55 (191.8)	11.7 (297)	161 (73)
	PN63/64	14.2 (361)	--	7.55 (191.8)	11.7 (297)	221 (101)
	PN100	15.8 (401)	--	7.55 (191.8)	11.7 (297)	287 (130)
	PN160	16.6 (422)	--	6.62 (168.1)	11.7 (297)	351 (160)
	PN250	20.5 (521)	--	6.62 (168.1)	11.7 (297)	575 (261)
JIS 10K	12.2 (310)	--	7.55 (191.8)	11.7 (297)	114 (52)	
JIS 20K	12.2 (310)	--	7.55 (191.8)	11.7 (297)	139 (63)	
JIS 40K	16.5 (419)	--	7.55 (191.8)	11.7 (297)	260 (118)	
10 IN METER DN250	150 LB	14.5 (368)	15.0 (381)	9.56 (242.8)	12.8 (325)	202 (91.6)
	300 LB	15.8 (401)	16.4 (417)	9.56 (242.8)	12.8 (325)	290 (132)
	600 LB	19.0 (483)	19.2 (488)	9.56 (242.8)	12.8 (325)	482 (219)
	PN10	11.9 (302)	--	9.56 (242.8)	12.8 (325)	161 (73.2)
	PN16	12.0 (305)	--	9.56 (242.8)	12.8 (325)	166 (75.4)
	PN25	13.5 (343)	--	9.56 (242.8)	12.8 (325)	203 (92.0)
	PN40	14.8 (376)	--	9.56 (242.8)	12.8 (325)	251 (114)
	PN63/64	16.4 (417)	--	9.56 (242.8)	12.8 (325)	312 (142)
	PN100	18.9 (480)	--	9.56 (242.8)	12.8 (325)	450 (204)
	JIS 10K	14.5 (368)	--	9.56 (242.8)	12.8 (325)	179 (81.1)
	JIS 20K	14.5 (368)	--	9.56 (242.8)	12.8 (325)	226 (103)
	JIS 40K	18.1 (460)	--	9.56 (242.8)	12.8 (325)	383 (174)
	12 IN METER DN300	150 LB	16.8 (427)	17.3 (439)	11.38 (289)	13.7 (348)
300 LB		18.0 (457)	18.6 (472)	11.38 (289)	13.7 (348)	420 (191)
600 LB		20.5 (521)	20.6 (523)	11.38 (289)	13.7 (348)	600 (272)
PN10		13.1 (333)	--	11.38 (289)	13.7 (348)	208 (94.5)
PN16		13.9 (353)	--	11.38 (289)	13.7 (348)	229 (104)
PN25		15.0 (381)	--	11.38 (289)	13.7 (348)	274 (124)
PN40		16.8 (427)	--	11.38 (289)	13.7 (348)	352 (160)
PN63/64		18.8 (478)	--	11.38 (289)	13.7 (348)	435 (198)
PN100		21.2 (538)	--	11.38 (289)	13.7 (348)	648 (294)
JIS 10K		15.7 (399)	--	11.38 (289)	13.7 (348)	227 (103)
JIS 20K		15.7 (399)	--	11.38 (289)	13.7 (348)	288 (131)
JIS 40K		19.6 (498)	--	11.38 (289)	13.7 (348)	498 (226)

FOR DISPLAY OPTION, ADD 0.4 LB (0.2 kg)



CPA OPTION



1" - 1.5"

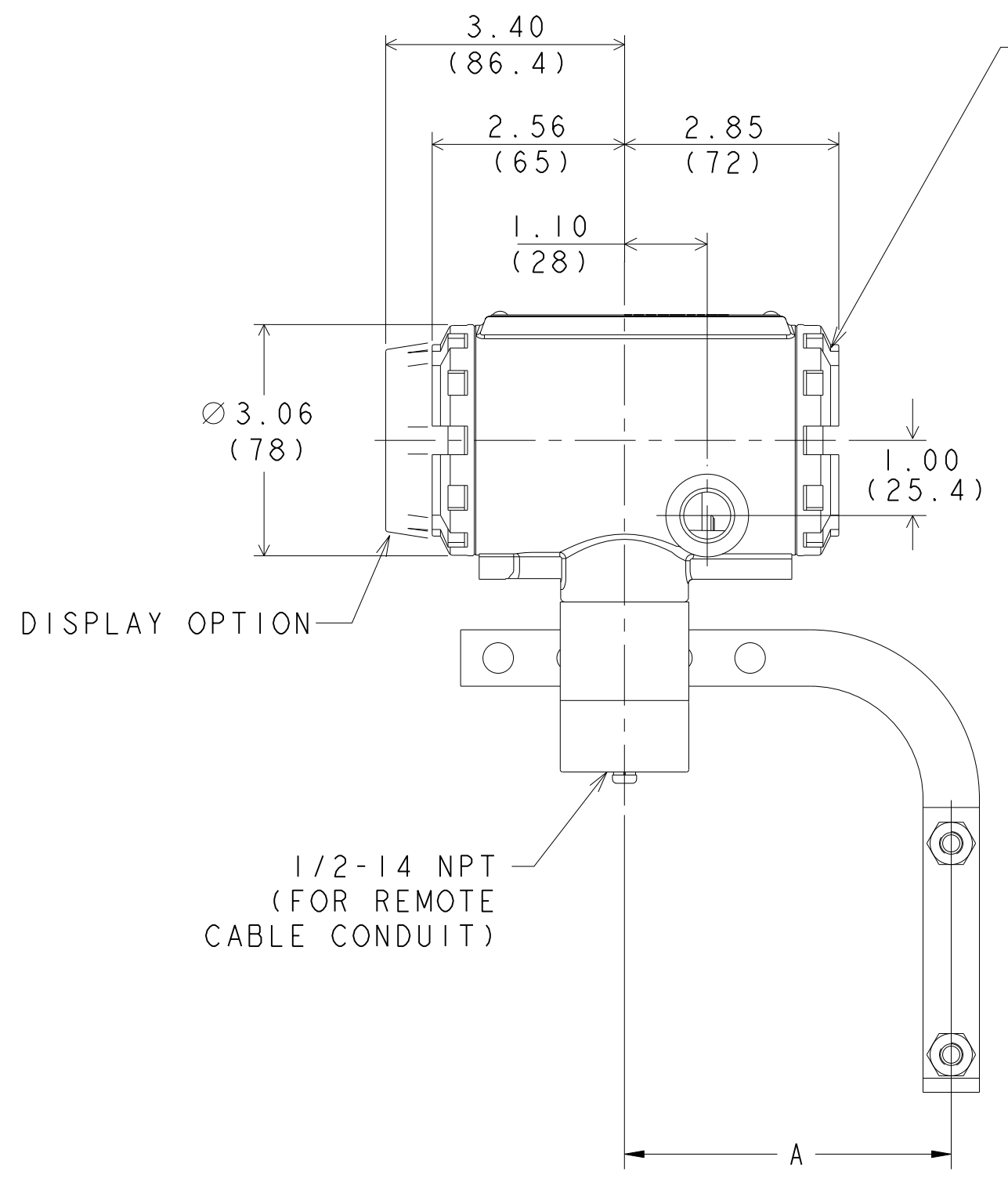
2" - 4"

6" - 12"

CPA OPTION		
LINE SIZE	"V"	"W"
1	2.74	2.25
1.5	2.58	2.59
2	3.18	1.12
3	3.18	1.73
4	3.18	2.25
6	2.51	4.53
8	2.51	5.57
10	2.51	6.58
12	2.51	7.49

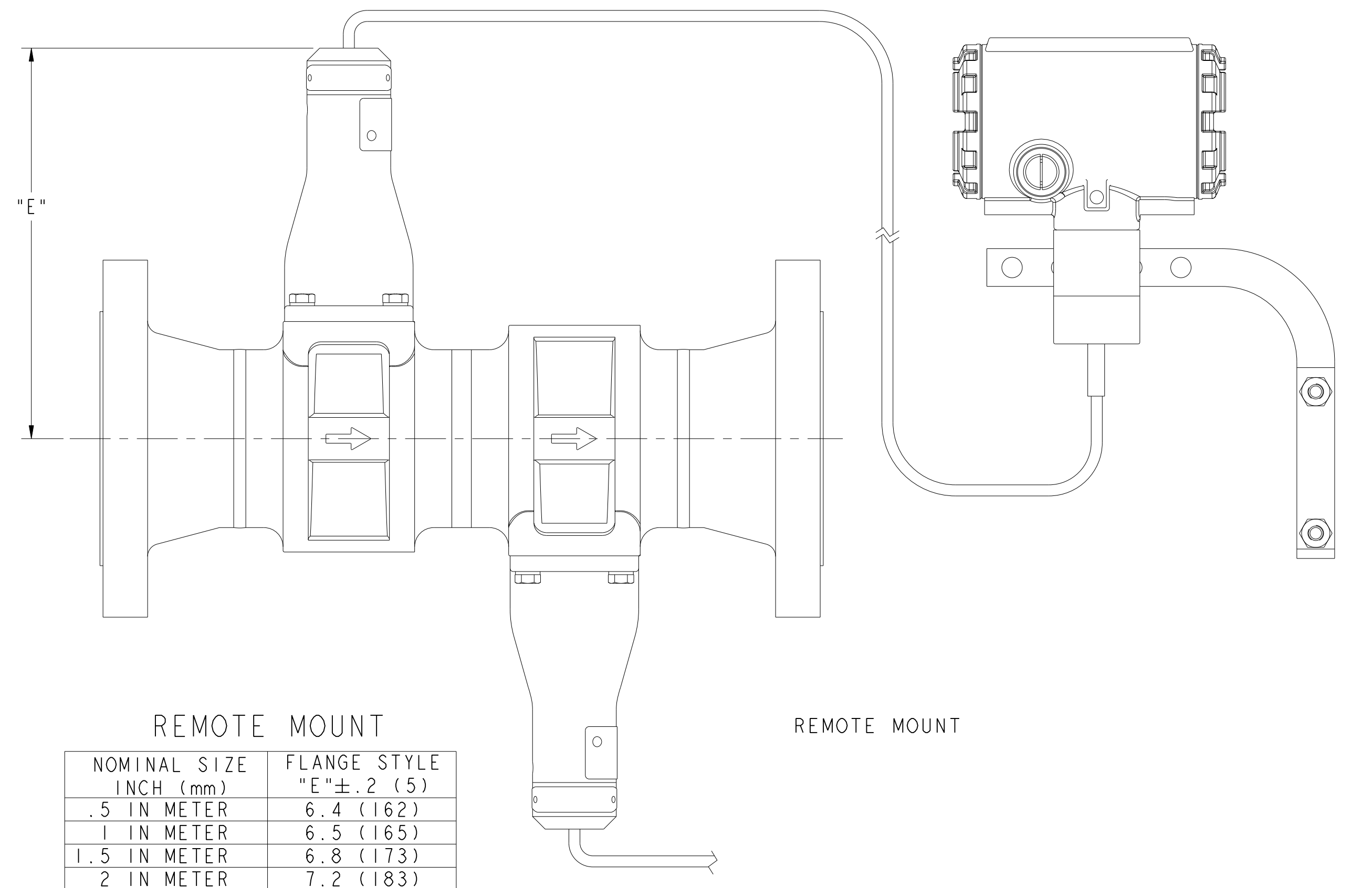
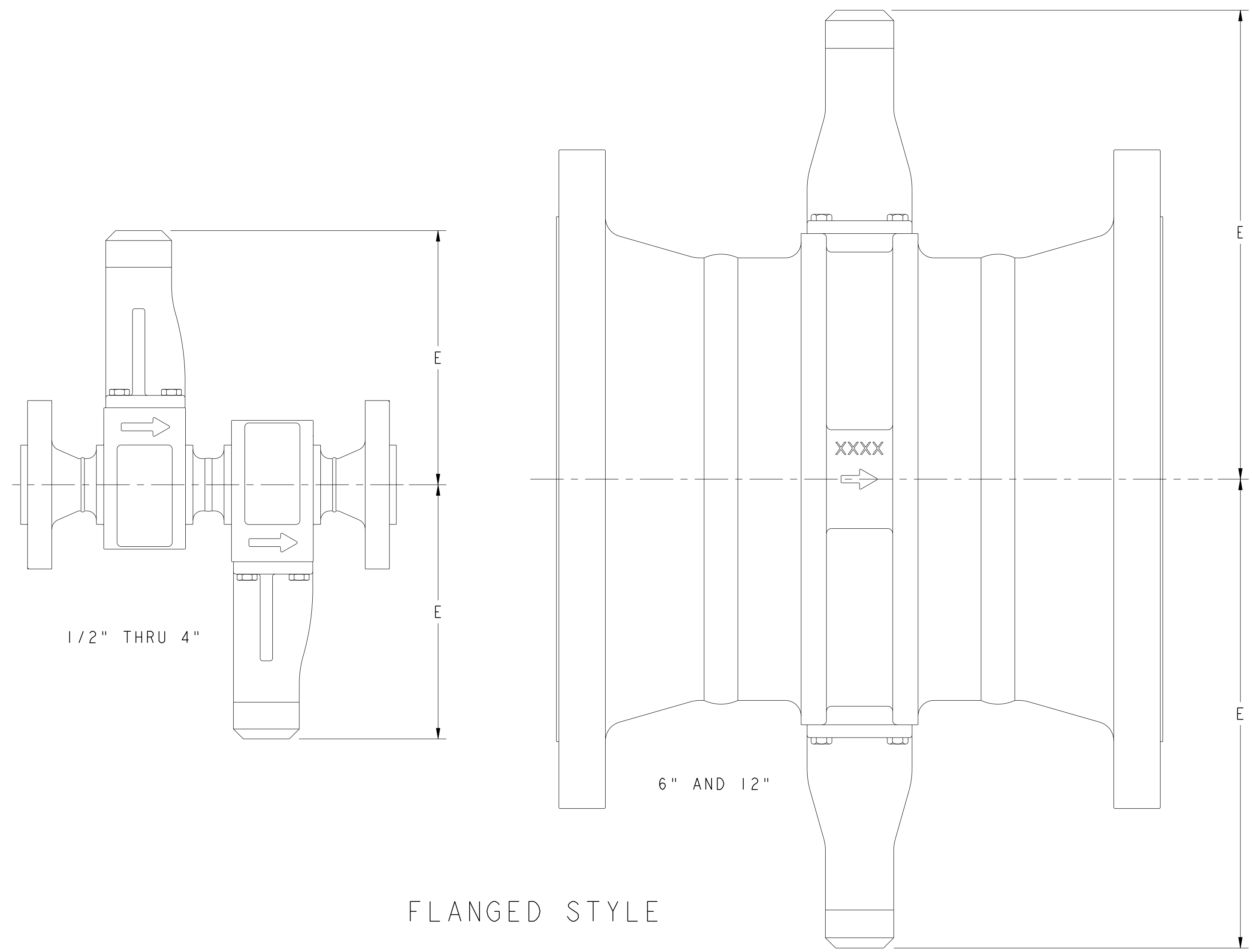
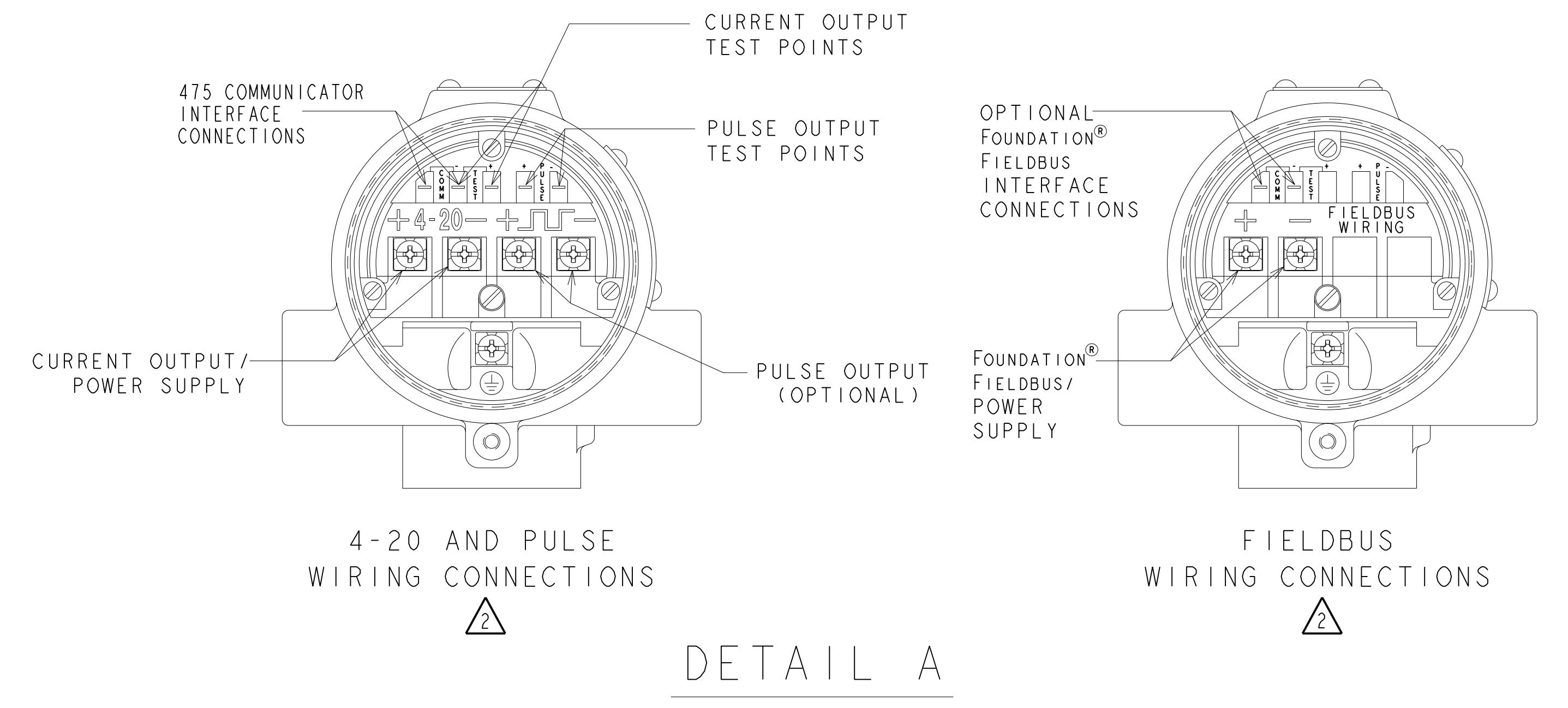
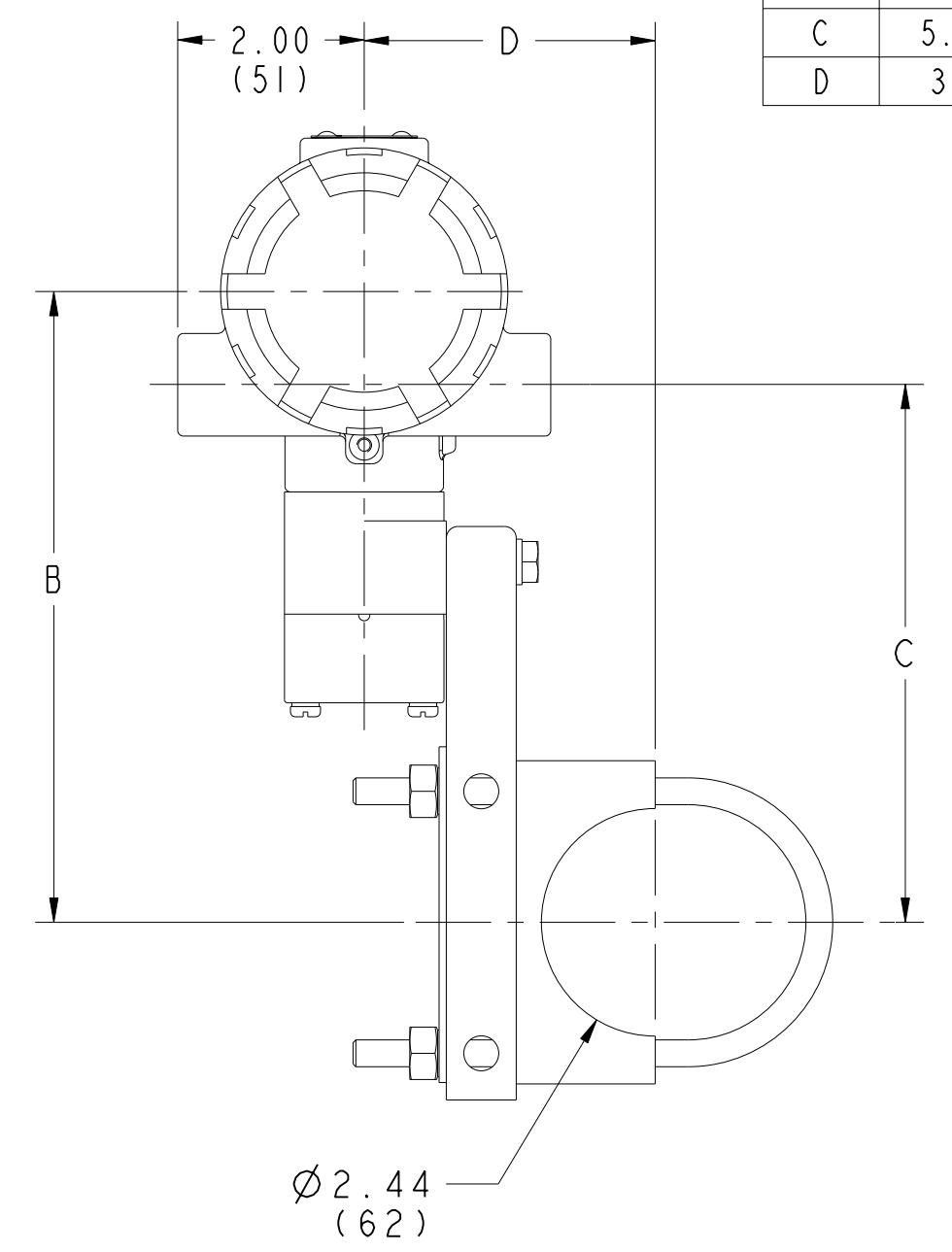
FOR TRANSMITTER DIMENSIONS SEE SHEET 1, 2, OR 3

		ROSEMOUNT <small>8200 Market Boulevard Chanhassen, MN 55317 USA</small>
SIZE D	08800-0006	REV BD
<small>CAD Maintained, (Pro/E) SHEET 4 OF 5</small>		



TERMINAL COVER FOR WIRING SEE DETAIL A

ELECTRONICS HOUSING MATERIAL		
DIM	ALUMINUM	SST
A	4.35 [110]	4.47 [114]
B	6.77 [172]	6.89 [175]
C	5.77 [147]	5.89 [150]
D	3.12 [79]	3.37 [86]



REMOTE MOUNT	
NOMINAL SIZE INCH (mm)	FLANGE STYLE "E" ±.2 (5)
.5 IN METER	6.4 (162)
1 IN METER	6.5 (165)
1.5 IN METER	6.8 (173)
2 IN METER	7.2 (183)
3 IN METER	7.8 (198)
4 IN METER	8.3 (211)
6 IN METER	9.5 (241)
8 IN METER	10.4 (264)
10 IN METER	11.5 (292)
12 IN METER	12.4 (315)