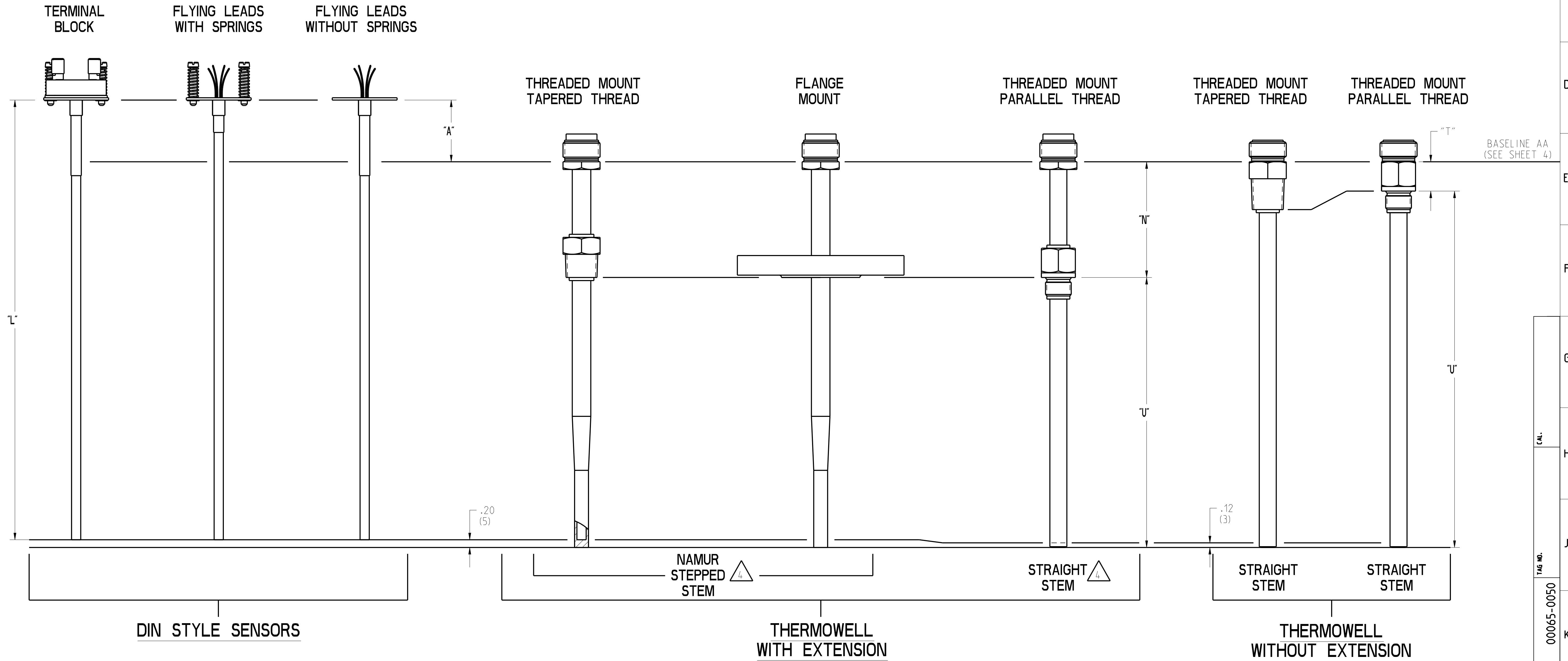


ROSEMOUNT 65 DIN STYLE TEMPERATURE SENSOR TUBULAR THERMOWELL

REVISION TABLE			
REVISION	ECO NO.	APP'D	DATE
AC	RTC1056641	JR	3/27/13
DESCRIPTION			
UPDATE TO PRO-E			



DIN STYLE SENSORS

THERMOWELL WITH EXTENSION

THERMOWELL WITHOUT EXTENSION

CODE	"A"
C,D,1,2,N,G,H,7,8,9,K,R,W,3,4	1.57 [40]
J,L,T,U,Y,A,P,F,5,E,6	.98 [25]

EQUATIONS	
WITH EXTENSION	
NAMUR	$L = U + N + A - .20 [5]$
NON-NAMUR	$L = U + N + A - .12 [3]$
WITHOUT EXTENSION	
	$L = U + T + A - .12 [3]$

TAPERED THREADS	
DESCRIPTION	"T"
1/2 - 14 NPT	1.22 [31]
3/4 - 14 NPT	1.30 [33]
1 - 11.5 NPT	1.57 [40]
R1/2 (1/2" BSPT)	1.02 [26]

PARALLEL THREADS	
DESCRIPTION	"T"
G 3/8"	.75" [19]
G 1/2"	.75" [19]
G 3/4"	.75" [19]
G 1"	.87" [22]
M18 x 1.5	.75" [19]
M20 x 1.5	.75" [19]
M27 x 2	.75" [19]
M33 x 2	.87" [22]

- NOTES:
- 1. ROSEMOUNT INC. CERTIFIES THESE DRAWINGS ARE IN ACCORDANCE WITH ROSEMOUNT ENGINEERING SPECIFICATIONS AND ACCURATELY REPRESENT THE EQUIPMENT FURNISHED.
 - 2. .75 [19] CLEARANCE REQUIRED TO REMOVE COVERS.
 - 3. SPRING LOADED SENSOR TYPE IS SHOWN .50 [12.7] COMPRESSED.

UNLESS OTHERWISE SPECIFIED, ALL DIMENSIONS AND TOLERANCES ARE IN INCHES. DIMENSIONS IN PARENTHESES ARE IN MILLIMETERS. INFORMATION IS CONTAINED HEREIN AND MUST BE HANDLED ACCORDINGLY.

EMERSON
Process Management
ROSEMOUNT

TITLE: ROSEMOUNT 65 DIN TEMP SENSOR AND THERMOWELL

PROJECT NAME: JLA 3/27/13

DR. JLA 3/27/13

APP'D JR 3/27/13

CUSTOMER DWG NO. ...

P.O. No. ...

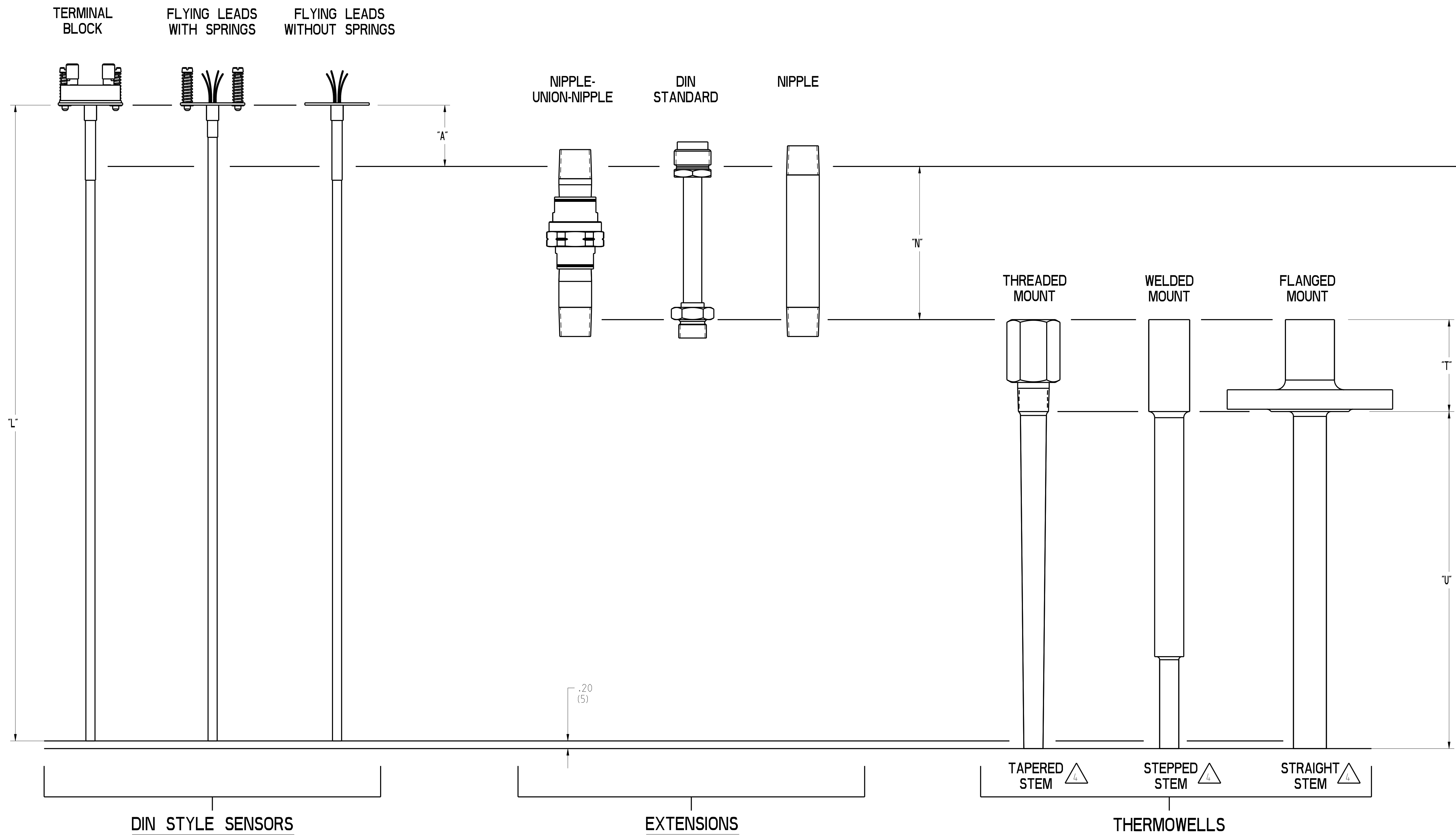
S.O. No. ...

DRAWING NO. 00065-0050

DO NOT SCALE PRINT CAD MAINTAINED. (PRO/E) PRODUCT CODE - DOC TYPE D SHEET 1 OF 4

TAG NO. 00065-0050
DRAWING NO.

ROSEMOUNT 65 DIN STYLE TEMPERATURE SENSOR
BARSTOCK THERMOWELL



BASELINE AA
(SEE SHEET 4)

DIN STYLE SENSORS

EXTENSIONS

THERMOWELLS

TAPERED STEM

STEPPED STEM

STRAIGHT STEM

EQUATIONS
 $L = U + T + N + A - .20 [5]$

CODE	"A"
C,D,1,2,N,G,H,7,8, 9,K,R,W,3,4	1.57 [40]
J,L,T,U,Y,A,P,F,5, E,6	.98 [25]

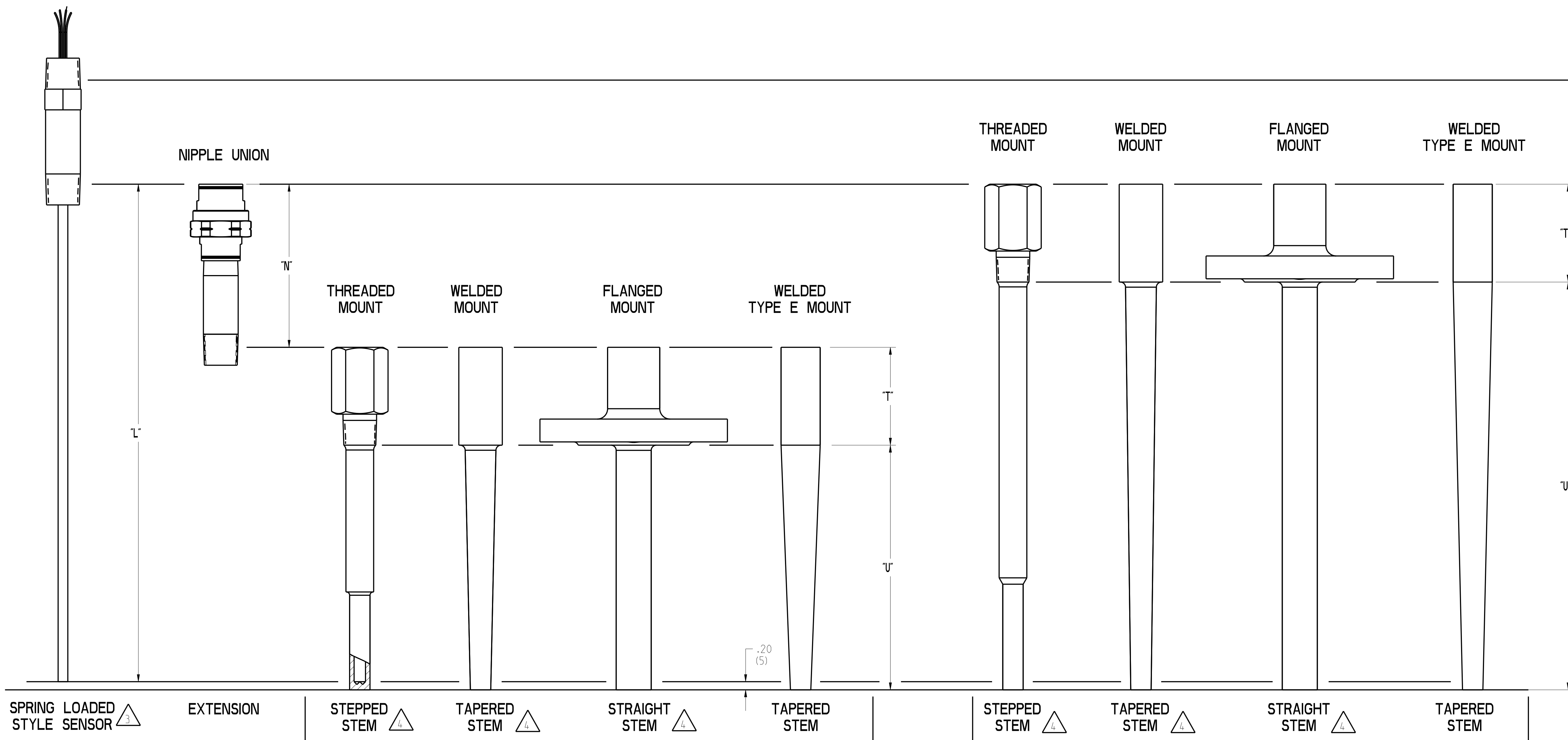
UNLESS OTHERWISE SPECIFIED
 DIMENSIONS ARE IN INCHES
 DIMENSIONS IN PARENTHESES ARE
 IN MILLIMETERS
 DIMENSIONS ARE TO BE HONORED
 OVER DIMENSIONS IN PARENTHESES
 UNLESS OTHERWISE SPECIFIED
 DIMENSIONS ARE IN INCHES
 DIMENSIONS IN PARENTHESES ARE
 IN MILLIMETERS
 DIMENSIONS ARE TO BE HONORED
 OVER DIMENSIONS IN PARENTHESES
 UNLESS OTHERWISE SPECIFIED

CUSTOMER	...	3RD ANGLE	SIZE D	SCALE 3/4	REV AC
CUSTOMER DWG NO.	...				
P.O. No.	...				
S.O. No.	...	TITLE ROSEMOUNT 65 DIN TEMP SENSOR AND THERMOWELL			
PROJECT NAME	...	DR. JLA 3/27/13	DRAWING NO.	00065-0050	
APP'D JR 3/27/13	...	DO NOT SCALE PRINT CAD MAINTAINED. (PRO/E) PRODUCT CODE - DOC TYPE D SHEET 2 OF 4			

TAG NO. 00065-0050
 DRAWING NO. 00065-0050

ROSEMOUNT 65 SPRING LOADED STYLE TEMPERATURE SENSOR
BARSTOCK THERMOWELL

BASLINE AA
(SEE SHEET 4)



SPRING LOADED
STYLE SENSOR

EXTENSION

STEPPED
STEM

TAPERED
STEM

STRAIGHT
STEM

TAPERED
STEM

THERMOWELL
WITH EXTENSIONS

STEPPED
STEM

TAPERED
STEM

STRAIGHT
STEM

TAPERED
STEM

THERMOWELL
WITHOUT EXTENSIONS

EQUATIONS
WITH EXTENSION
 $L = N + T + U - .20 (5)$
WITHOUT EXTENSION
 $L = U + T - .20 (5)$

<small>UNLESS OTHERWISE SPECIFIED CONNECTIONS AND PRESSURE RATING INFORMATION IS CONTAINED HEREIN AND MUST BE HANDLED ACCORDINGLY. EMERSON</small> <small>INFORMATION WITHIN THIS DOCUMENT IS UNCLASSIFIED EXCEPT WHERE SHOWN OTHERWISE. IT IS NOT INTENDED FOR REPRODUCTION OR DISTRIBUTION WITHOUT THE EXPRESS WRITTEN PERMISSION OF EMERSON.</small>	CUSTOMER	...	3RD ANGLE	SIZE D	SCALE 3/4	REV AC	
	CUSTOMER DWG NO.	...					
	P.O. No.	...					
	S.O. No.	...	TITLE	ROSEMOUNT 65 DIN TEMP SENSOR AND THERMOWELL			
	PROJECT NAME	...	DR. JLA	3/27/13	DRAWING NO.	00065-0050	
	APP'D JR	3/27/13					
DO NOT SCALE PRINT CAD MAINTAINED (PRO/E) PRODUCT CODE - DOC TYPE D SHEET 3 OF 4							

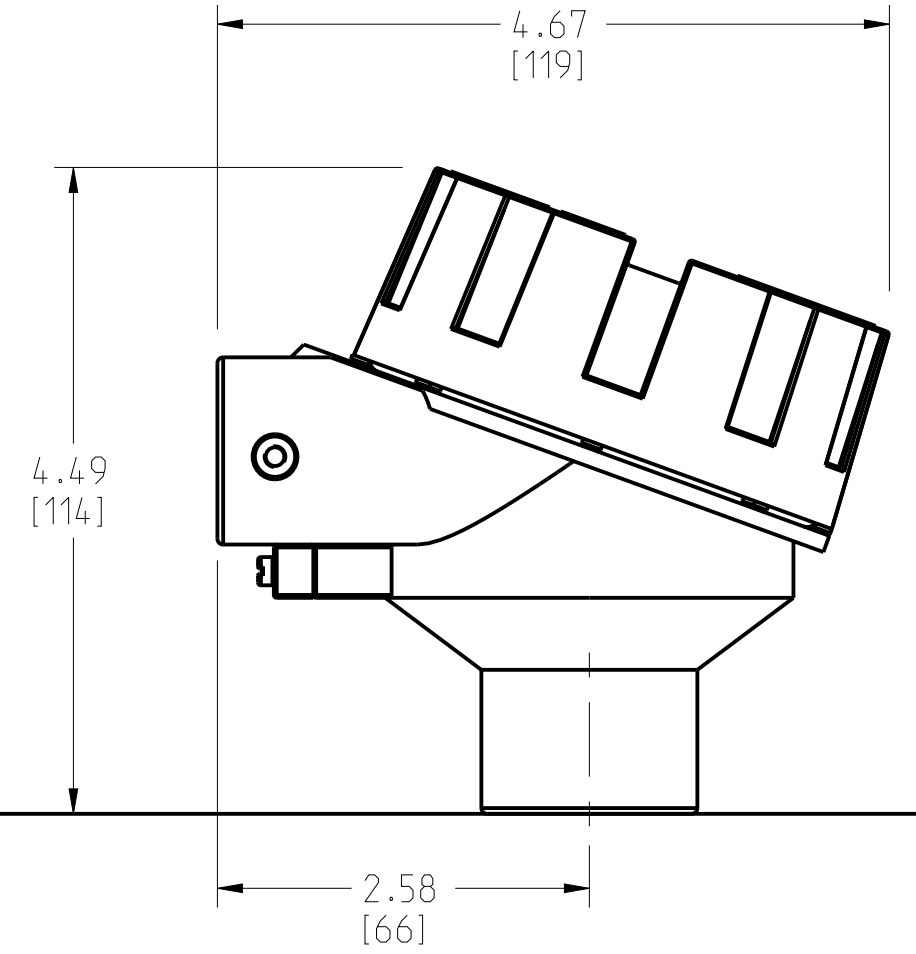
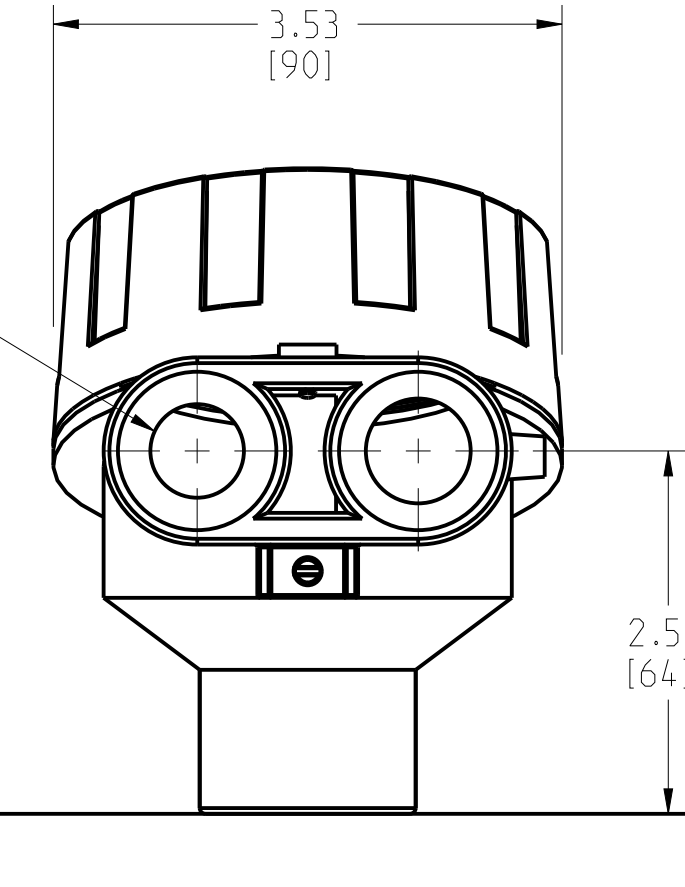
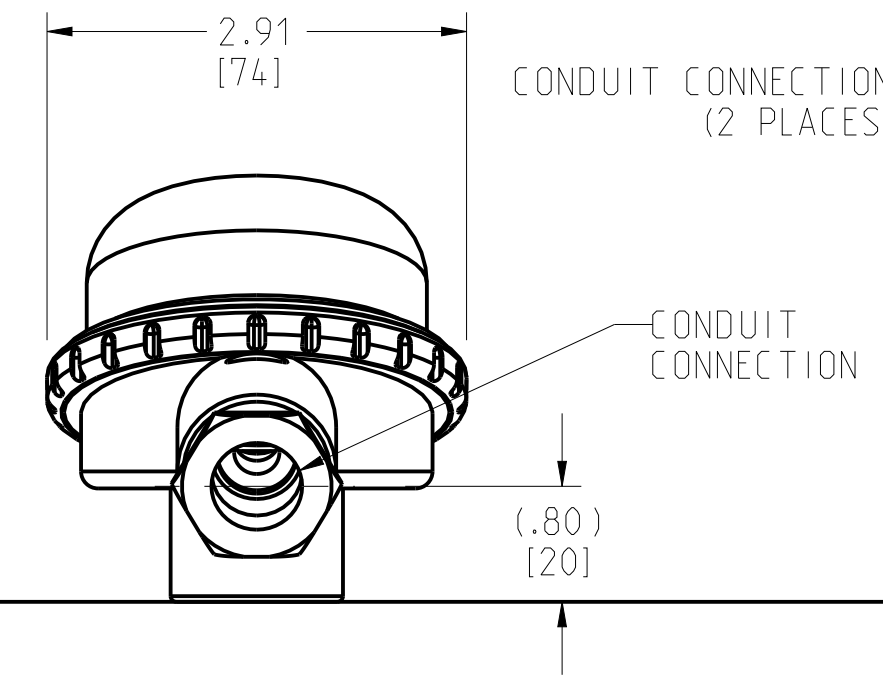
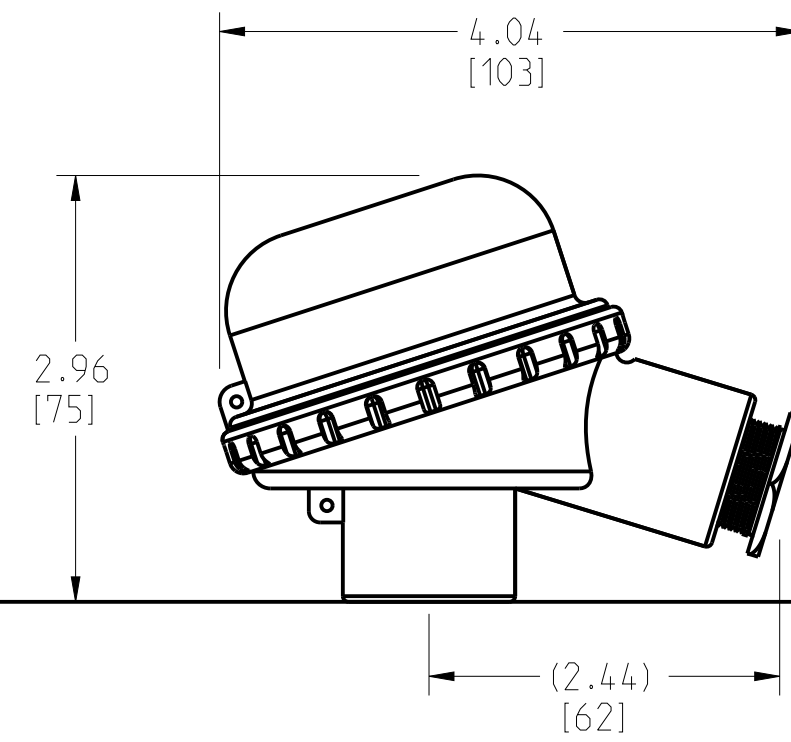
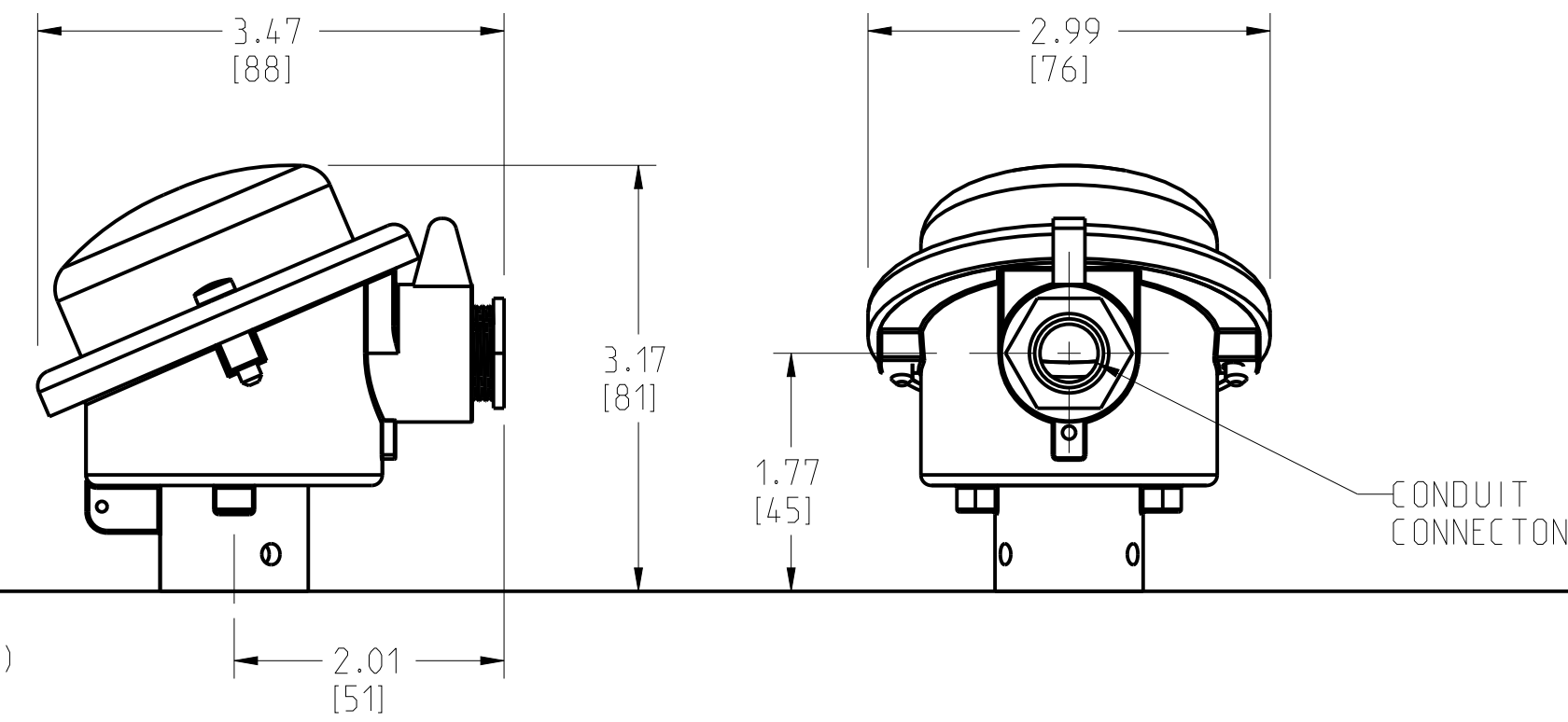
TAG NO. 00065-0050
 DRAWING NO. 00065-0050

ROSEMOUNT 65 TEMPERATURE SENSOR CONNECTION HEADS

ALUMINUM OR SST DUAL ENTRY HEAD

GN-BL (DIN B) ALUMINUM WITH CABLE GLAND

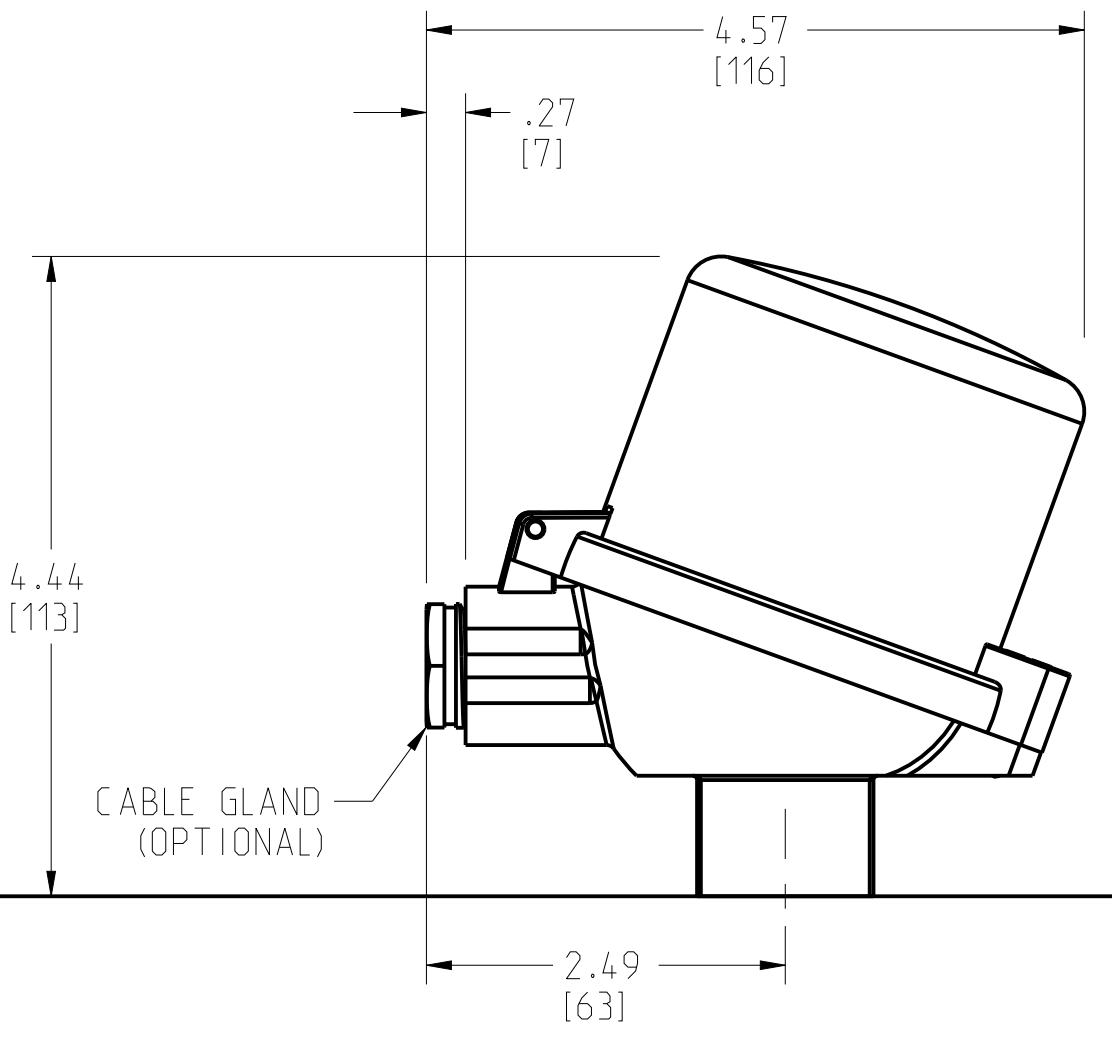
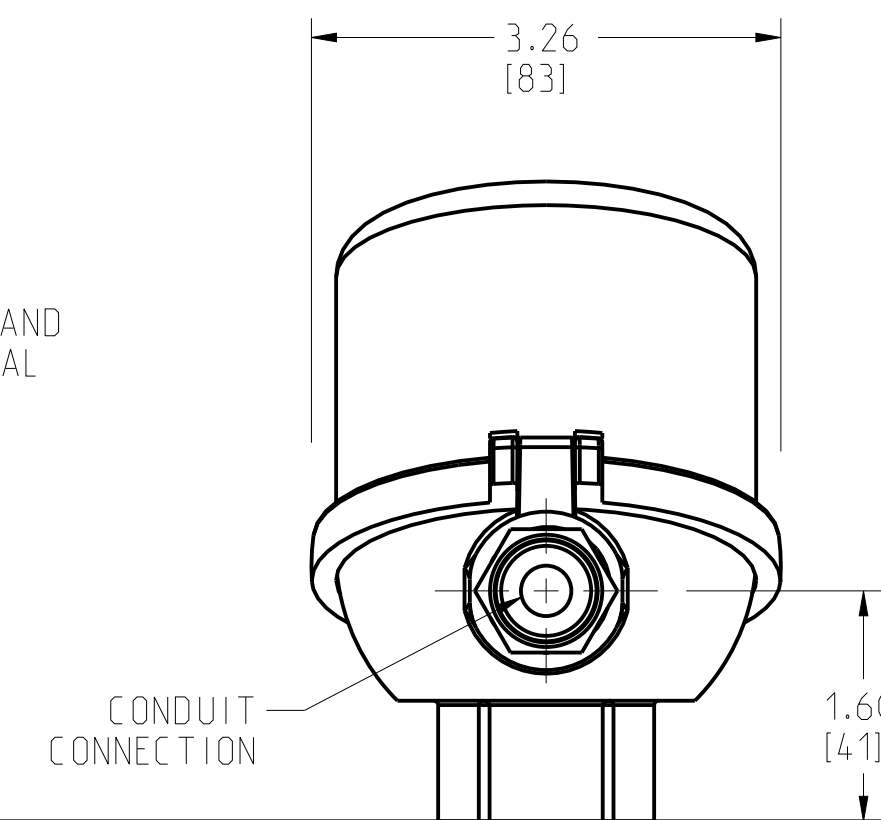
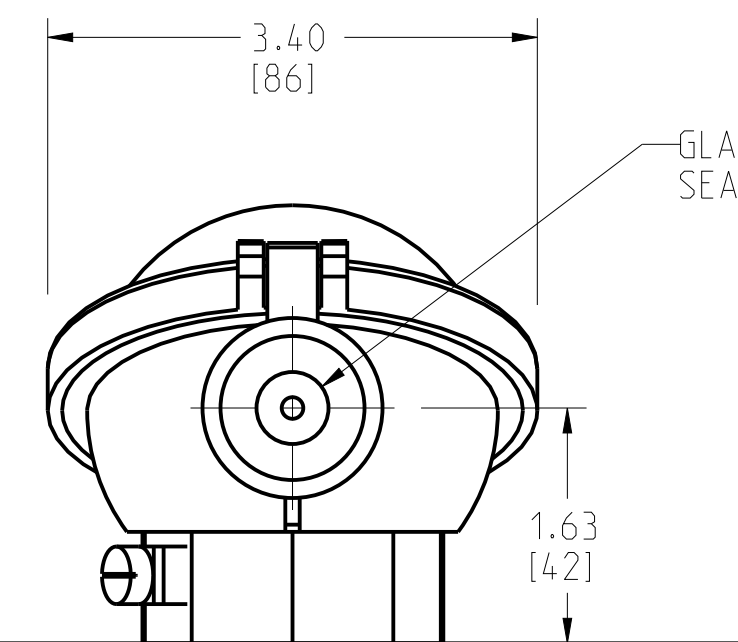
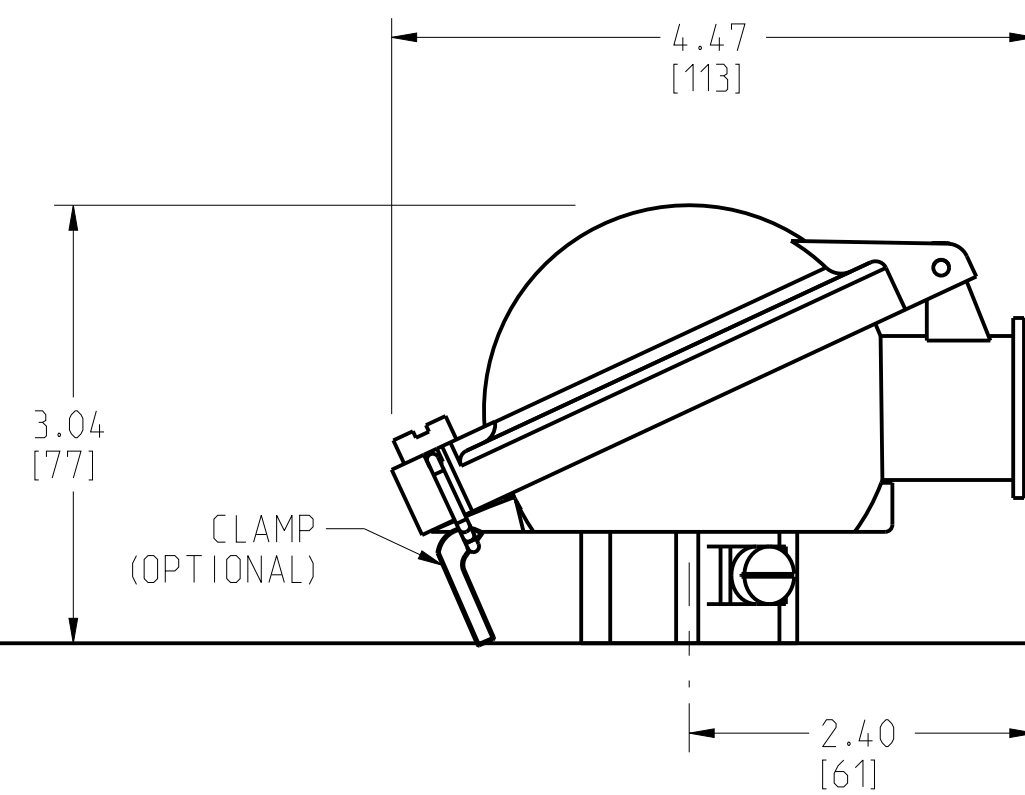
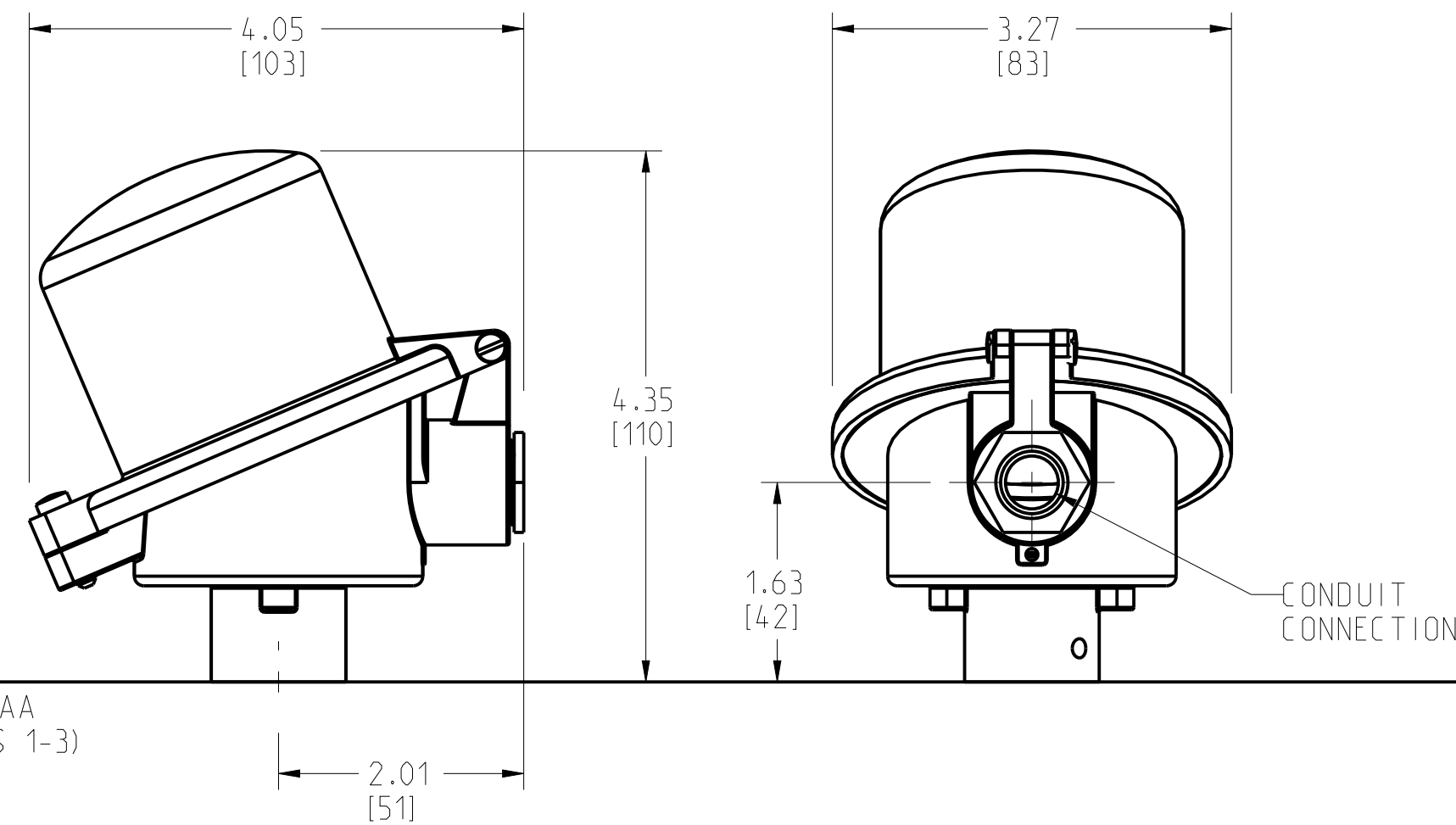
SD-BK



TZ-A/BK POLYAMIDE WITH CABLE GLAND

GR-A/BL OR HR-A/BL ALUMINUM WITH CABLE GLAND

TZ-A/BL ALUMINUM

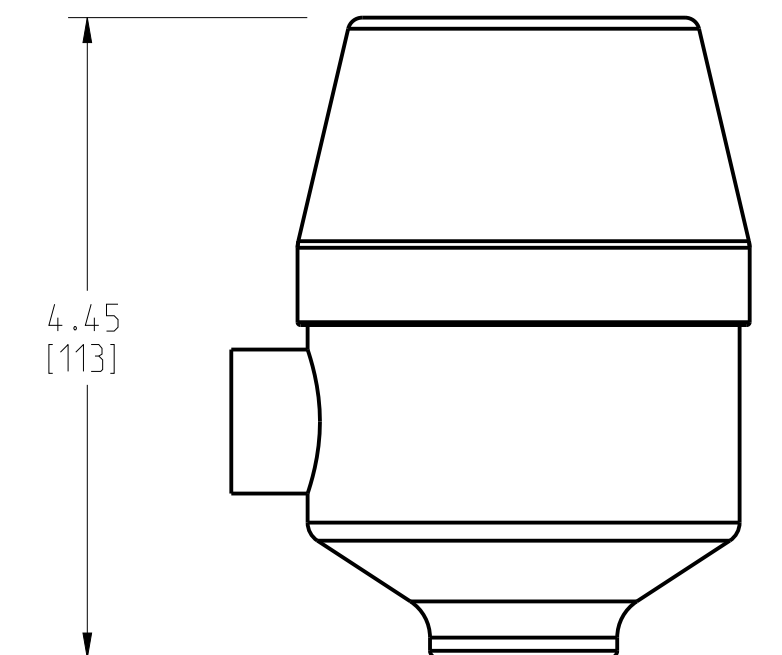
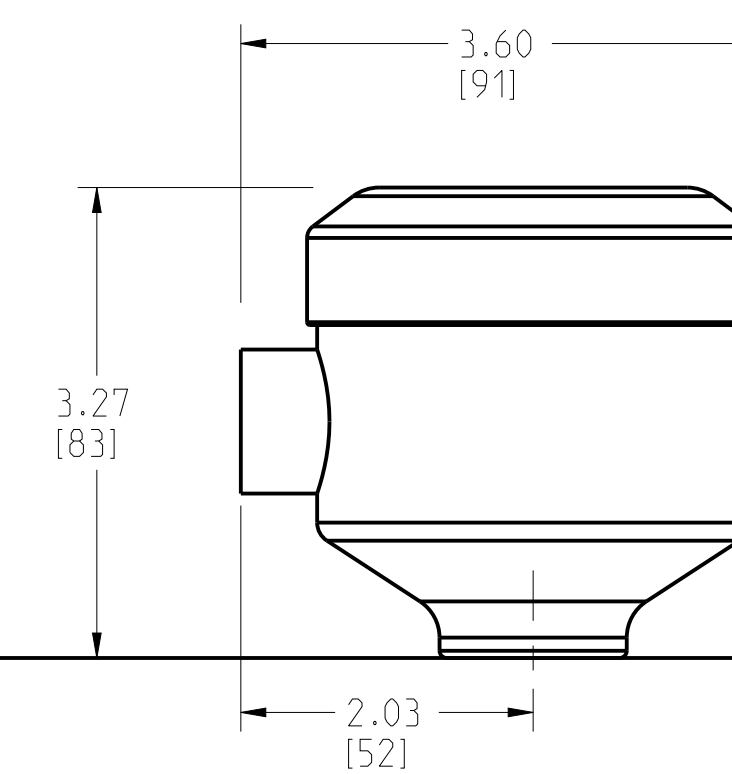
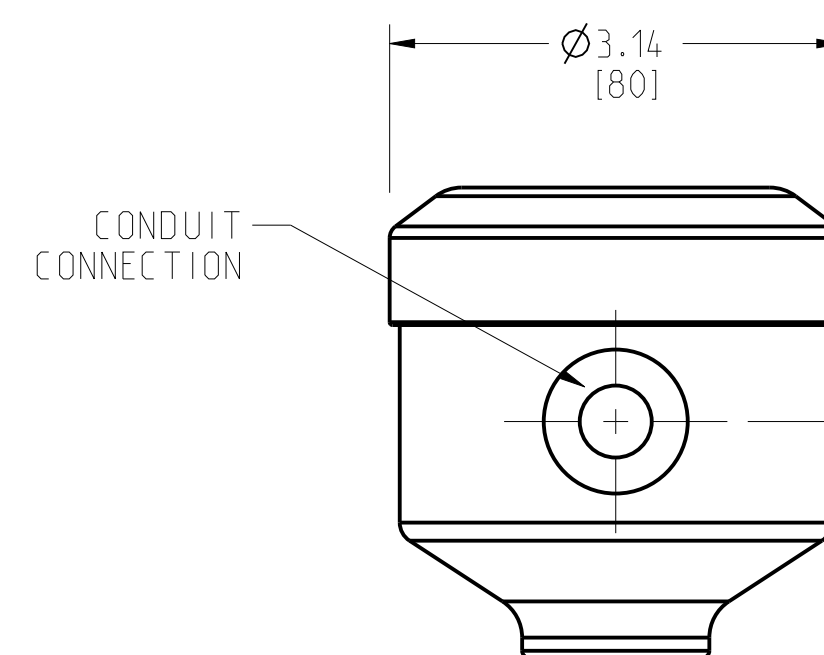
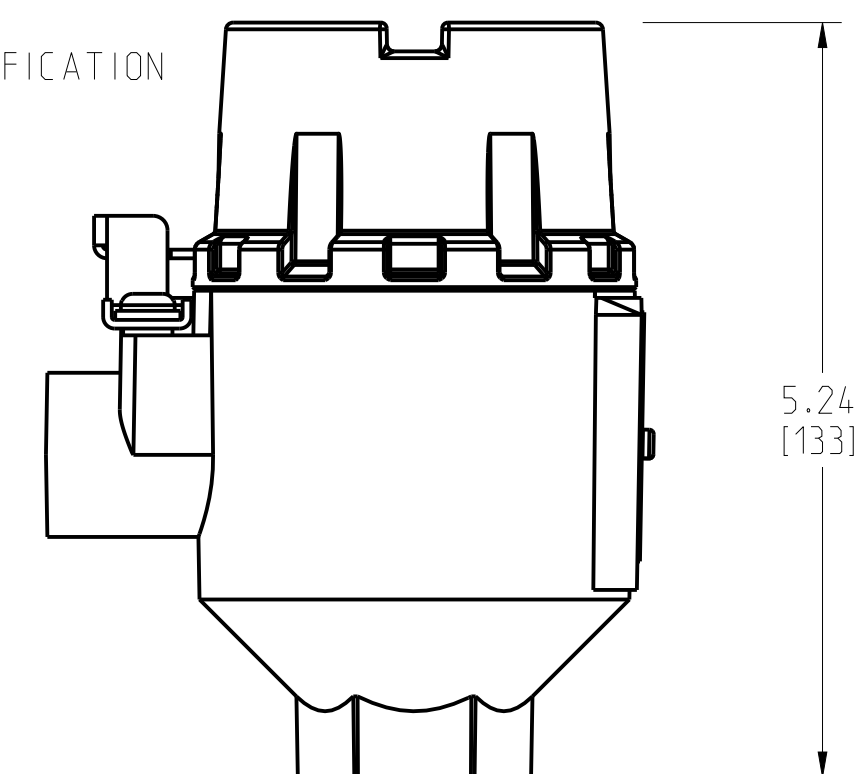
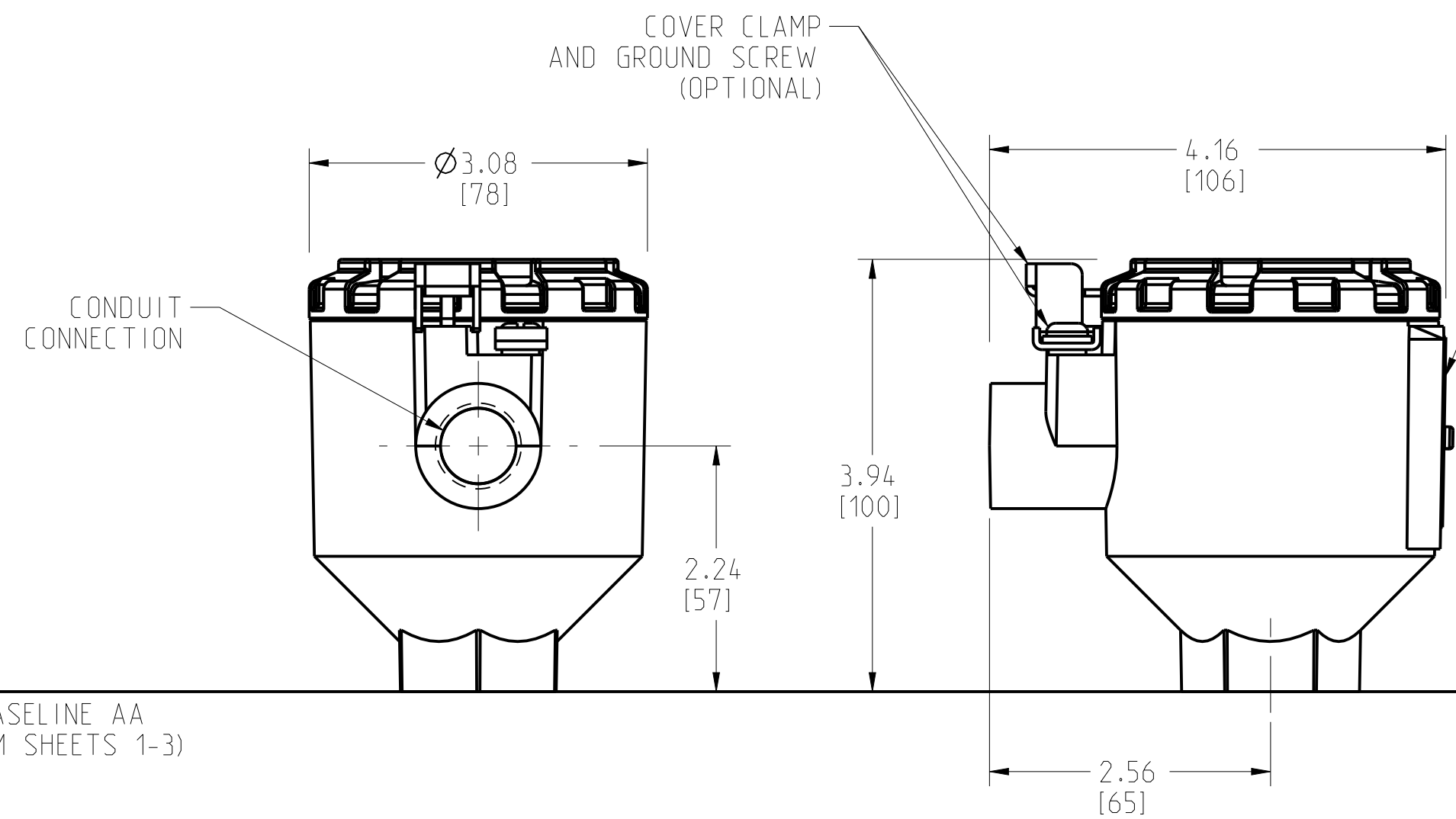


ROSEMOUNT ALUMINUM OR SST

ROSEMOUNT ALUMINUM OR SST WITH LCD METER COVER

SANITARY POLISHED SST

SANITARY POLISHED SST WITH LCD METER COVER



BASELINE AA
(FROM SHEETS 1-3)

M

UNLESS OTHERWISE SPECIFIED CONNECTIONS AND DIMENSIONS INFORMATION IS CONTAINED HEREIN AND MUST BE HANDLED ACCORDINGLY. EMERSON	CUSTOMER	...	3RD ANGLE	SIZE	SCALE	REV
	CUSTOMER DWG NO.	...		D	3/4	AC
	P.O. No.	...	EMERSON Process Management			
	S.O. No.	...				
PROJECT NAME	...	ROSEMOUNT® TITLE ROSEMOUNT 65 DIN TEMP SENSOR AND THERMOWELL				
APP'D	JR	3/27/13	DRAWING NO.	00065-0050		
DO NOT SCALE PRINT CAD MAINTAINED. (PRO/E) PRODUCT CODE - DOC TYPE D SHEET 4 OF 4						

TAG NO. 00065-0050
 DRAWING NO.