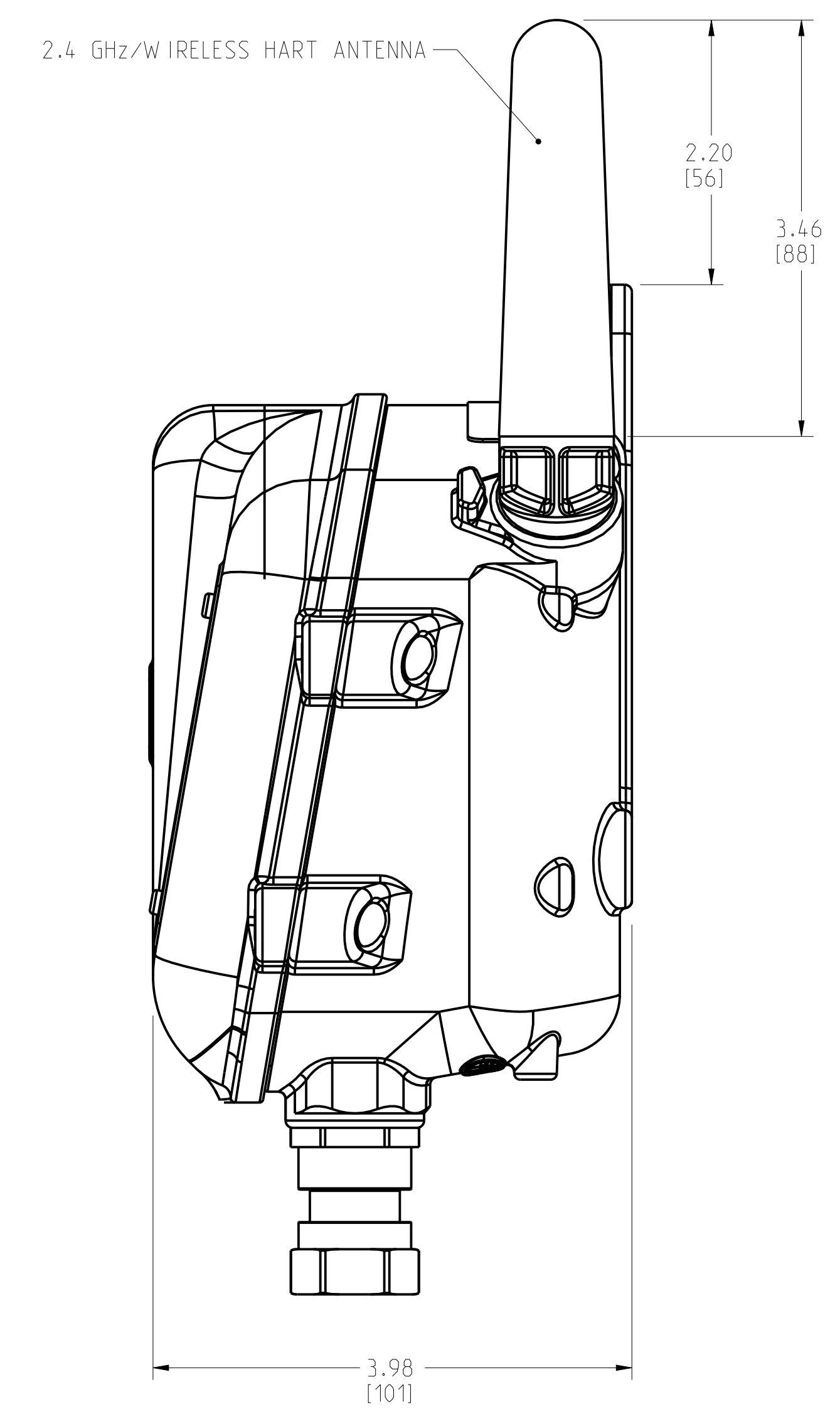
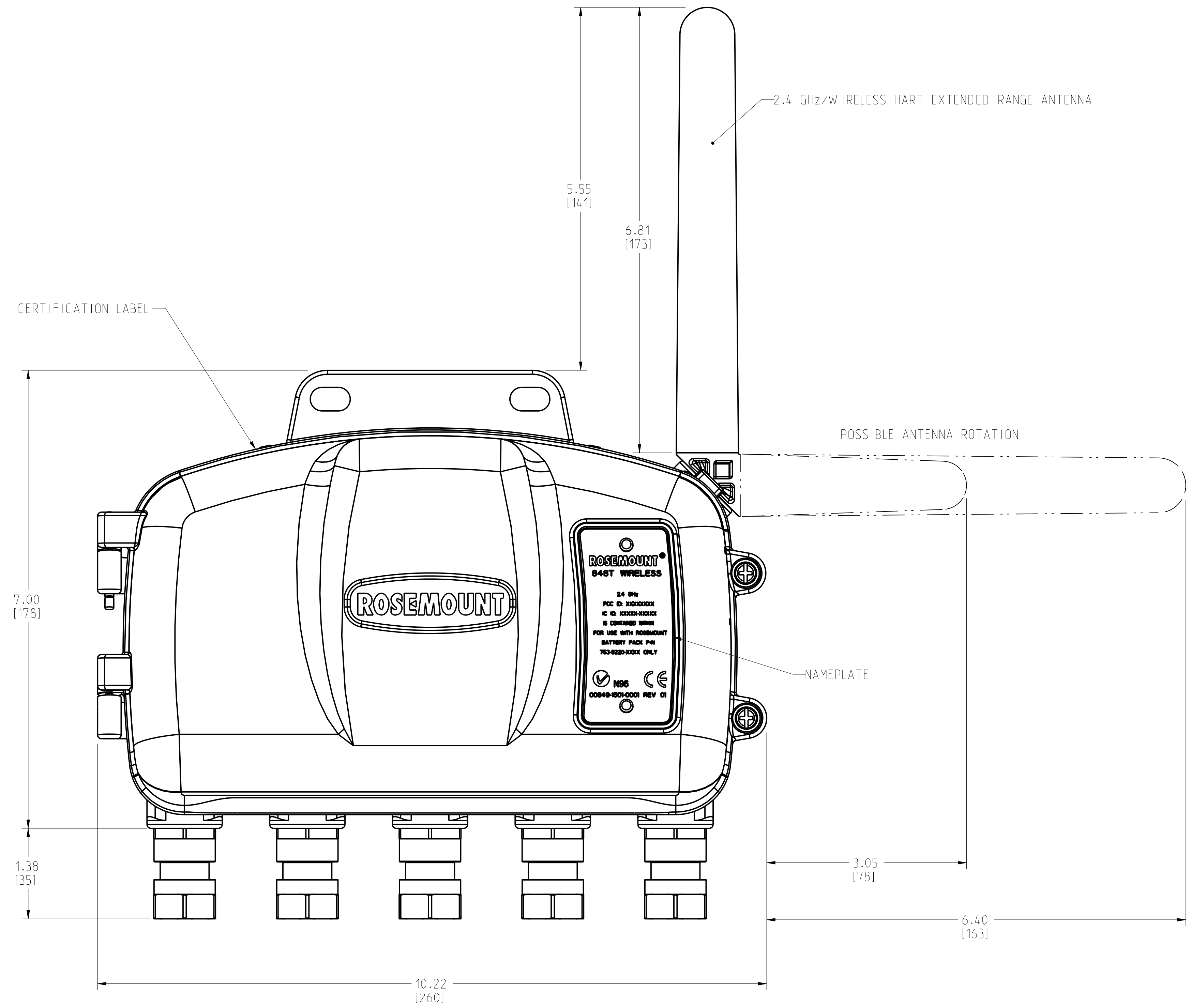


# ROSEMOUNT 848T HIGH DENSITY TEMPERATURE FAMILY WIRELESS HOUSING WITH CABLE GLANDS

REVISION TABLE			
REVISION	ECO NO.	APP'D	DATE
AB	RTC1056642	JR	4/1/13
DESCRIPTION			
CONVERT TO PRO-E			

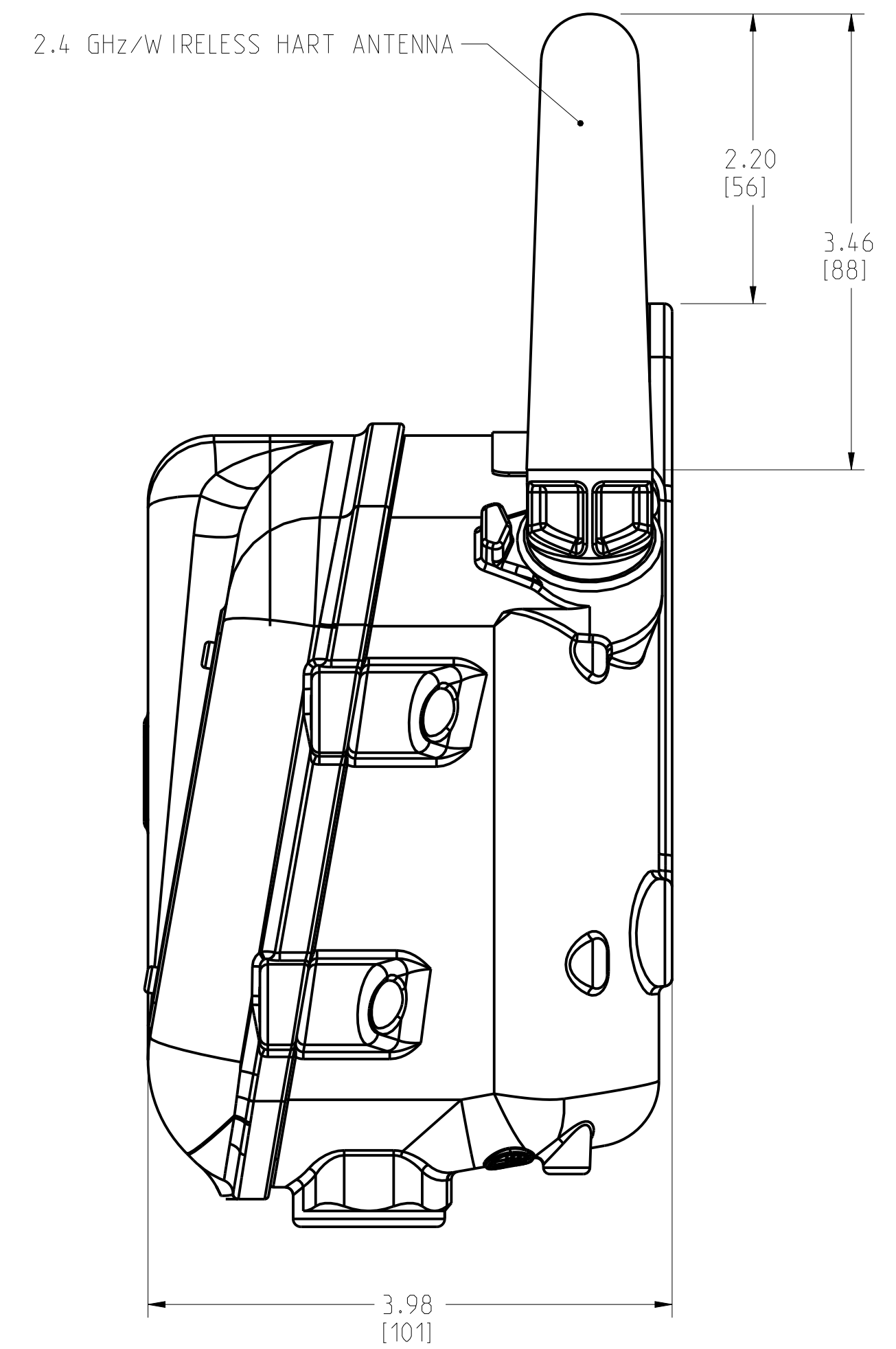
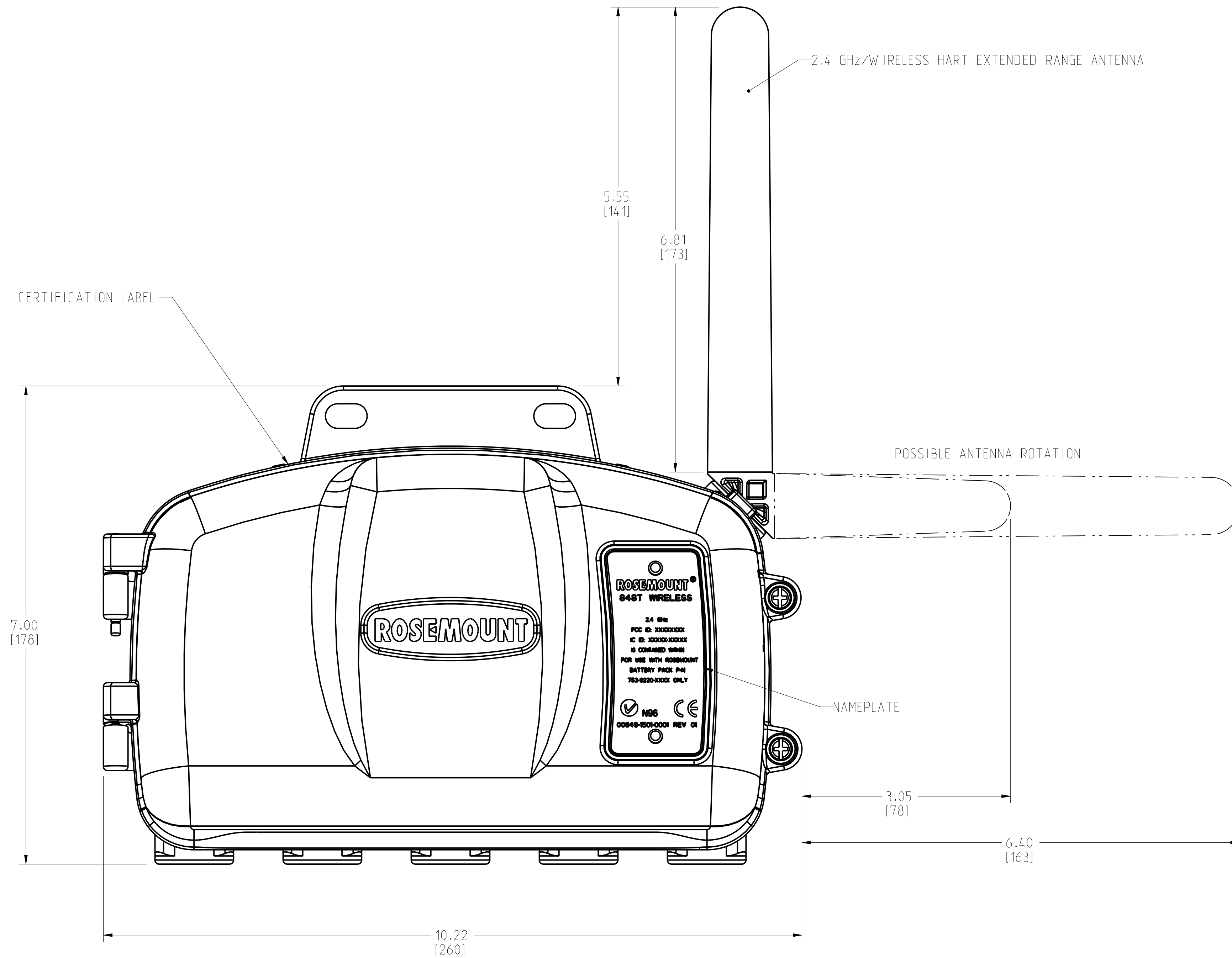


- NOTES:
- .75 [19] CLEARANCE REQUIRED TO REMOVE COVERS.
  - ROSEMOUNT INC. CERTIFIES THESE DRAWINGS ARE IN ACCORDANCE WITH ROSEMOUNT ENGINEERING SPECIFICATIONS AND ACCURATELY REPRESENT THE EQUIPMENT FURNISHED.

<small>UNLESS OTHERWISE SPECIFIED CONVERSIONS AND DIMENSIONS INFORMATION IS CONTAINED HEREIN AND MUST BE HANDLED ACCORDINGLY. EMERSON</small>	CUSTOMER	...	3RD ANGLE	SIZE	SCALE	REV
	CUSTOMER DWG NO.			D	1/1	AB
	P.O. No.	...				
	S.O. No.	...				
PROJECT NAME	DR. JLA 4/1/13	DRAWING NO.	00848-1900			
APP'D	JR 4/1/13	PRODUCT CODE	- DOC TYPE - SHEET 1 OF 3			

DRAWING NO. 00848-1900

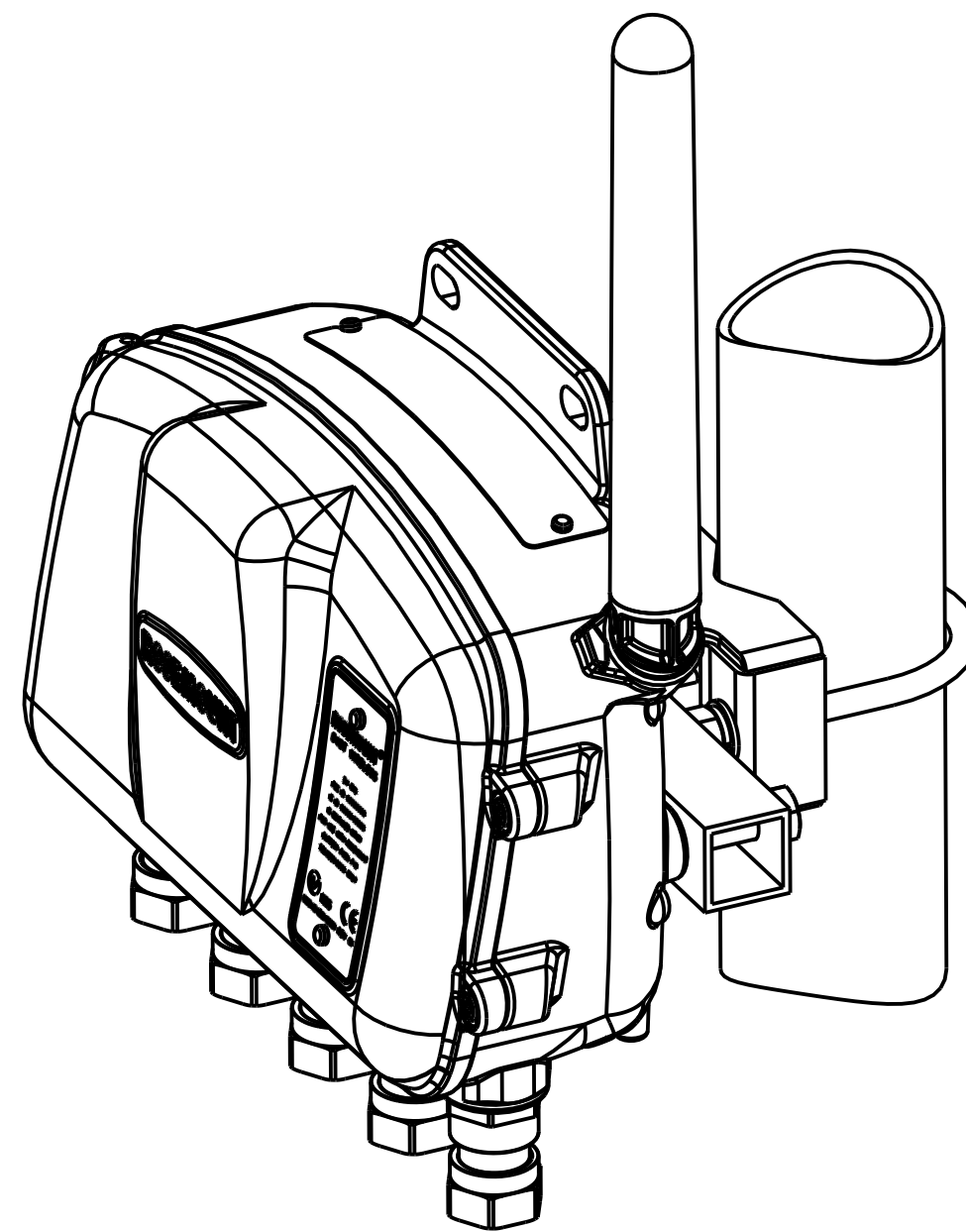
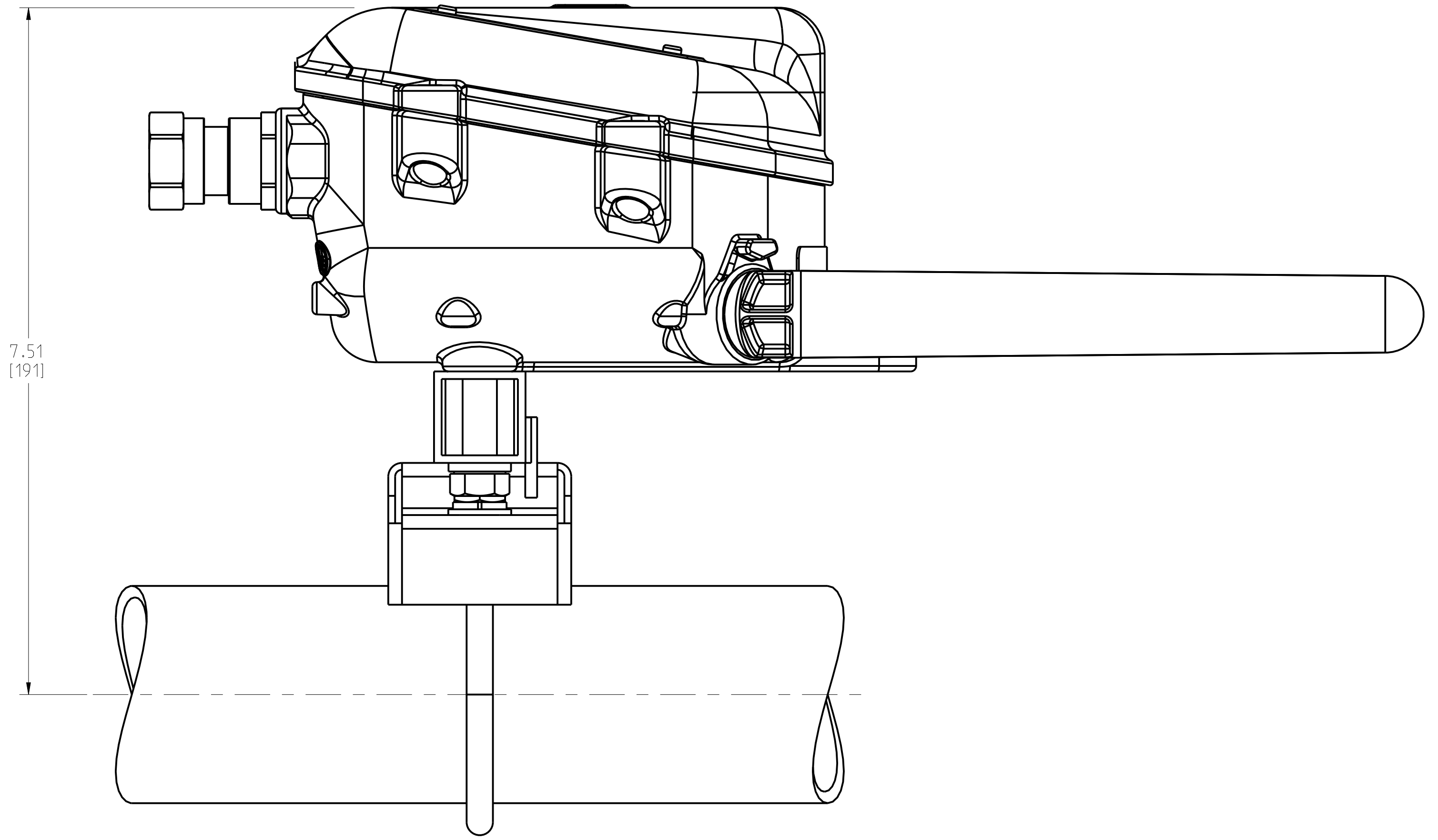
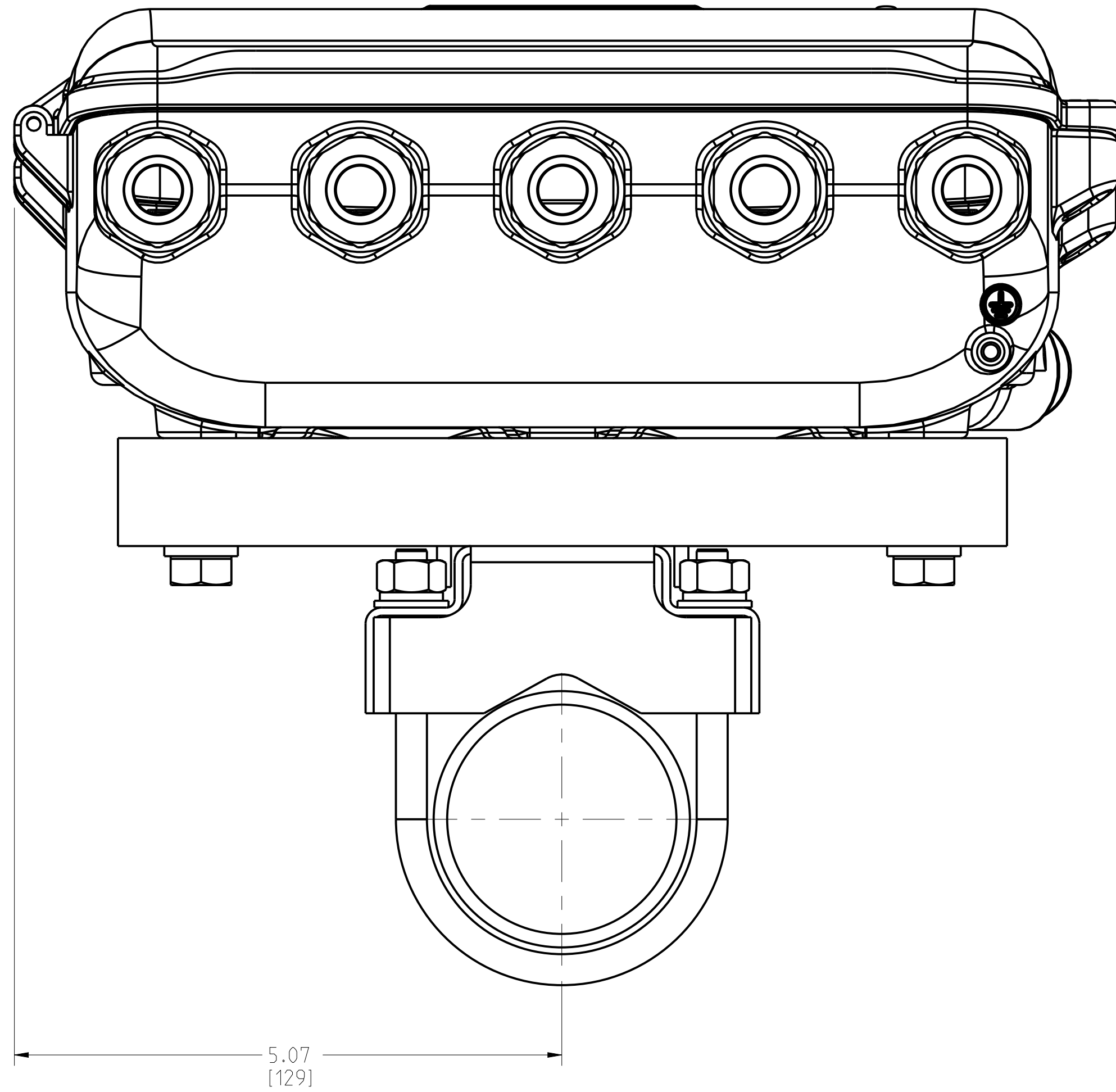
# ROSEMOUNT 848T HIGH DENSITY TEMPERATURE FAMILY WIRELESS HOUSING WITH PLUGGED HOLES



<small>UNLESS OTHERWISE SPECIFIED CONNECTIONS AND DIMENSIONS INFORMATION IS CONTAINED HEREIN AND MUST BE HANDLED ACCORDINGLY. EMERSON</small>	CUSTOMER	...	3RD ANGLE	SIZE	SCALE	REV
	CUSTOMER DWG NO.	...		D	1/1	AB
	P.O. No.	...	<b>EMERSON</b> <b>Process Management</b>			
	S.O. No.	...	<b>ROSEMOUNT®</b> TITLE ROSEMOUNT 848T WIRELESS TEMPERATURE TRANSMITTER			
PROJECT NAME	DR. JLA 4/1/13	DRAWING NO.	00848-1900			
APP'D	JR 4/1/13	00848-1900				
DO NOT SCALE PRINT CAD MAINTAINED. (PRO/E) PRODUCT CODE - DOC TYPE - SHEET 2 OF 3						

DRAWING NO. 00848-1900 TAG NO. CAL.

ROSEMOUNT 848T HIGH DENSITY TEMPERATURE FAMILY  
 WIRELESS HOUSING MOUNTING CONFIGURATION



<small>UNLESS OTHERWISE SPECIFIED          DIMENSIONS AND FINISHES ARE IN          INCHES AND DECIMALS THEREOF.          INFORMATION IS CONTAINED HEREIN          AND MUST BE HANDLED ACCORDINGLY.          EMERSON</small>	CUSTOMER	...	3RD ANGLE	SIZE	SCALE	REV
	CUSTOMER DWG NO.			D	1/1	AB
	P.O. No.	...	<b>EMERSON</b> Process Management <b>ROSEMOUNT®</b>			
	S.O. No.	...	TITLE ROSEMOUNT 848T WIRELESS TEMPERATURE TRANSMITTER			
PROJECT NAME	DR. JLA 4/1/13	DRAWING NO.	00848-1900			
	APP'D JR 4/1/13					
DO NOT SCALE PRINT			CAD MAINTAINED. (PRO/E)		PRODUCT CODE	- DOC TYPE - SHEET 3 OF 3

DRAWING NO. 00848-1900  
 TAG NO. CAL.