

WHEN MOUNTING IN NON-METALLIC VESSEL THE PROBE MUST BE MOUNTED WITH A METALLIC FLANGE >2"/DN50 OR THE THREADED VERSION MUST BE SCREWED IN TO A METAL SHEET >Ø200 [7.8]

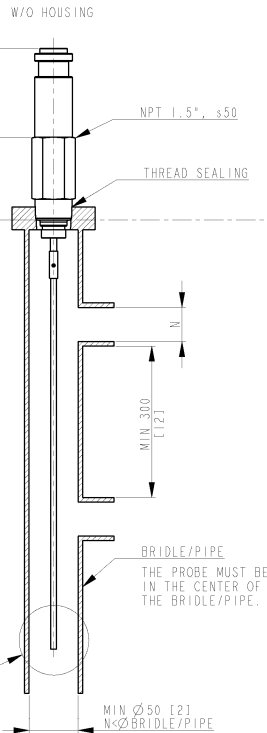
AVOID DISTURBING EMC-ENVIRONMENT. INSTALLATION IN METALLIC TANK IS RECOMMENDED.

RECOMMENDED D>150 [6].
MIN. D=50 [2] REQUIRES SPECIAL CONFIG. SETTINGS.

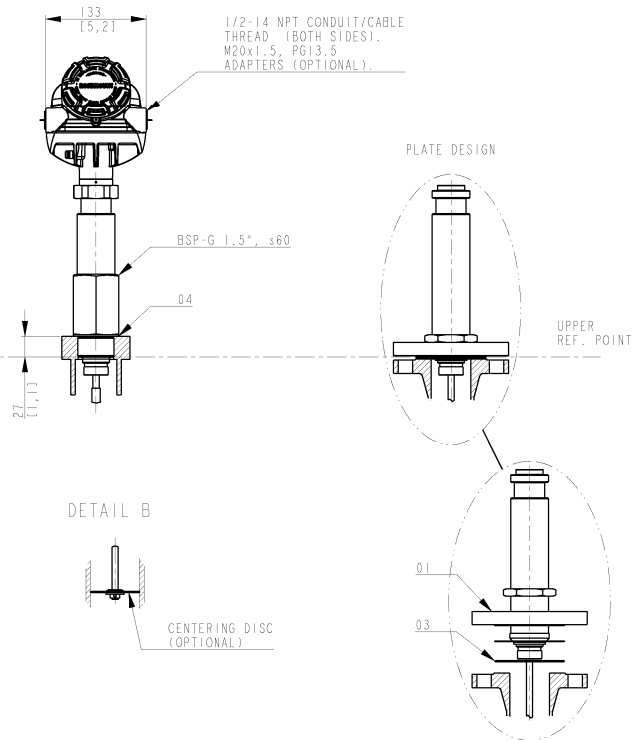
L>500 [19.7] TO DISTURBING OBJECTS OR TO WALL IF MATERIAL CONCRETE, PLASTIC OR RUGGED MATERIAL.

L>100 [3.9] IF SMOOTH SURFACE METAL WALL.

SEE DETAIL B



FOR MORE INFO, SEE REFERENCE MANUAL.



1. P/T-RATING FOR FLANGE; SEE REF. MANUAL.

POS	ITEM	DESCRIPTION	QTY	REMARK	SUPPLIER
04	GASKET	ACC. TO BSP-G THREAD STD.	1		CUSTOMER
03	GASKET	SOFT GASKET T-MIN 1.6 (ANSI B16.5/16, EN1514-1/1BC), SPIRAL WOUND GASKET WITH NON METALLIC FILLER (ANSI B16.5/16, EN1514-2), SEE NOTE 1.	1		CUSTOMER
02	SCREW/NUT/WASHER	ACC. TO FLANGE STD. SEE NOTE 1.	-		CUSTOMER
01	FLANGE	DIM. ACC. TO ANSI B 16.5/EN 1092-1, OTHER ON REQUEST. P/T RATING. SEE NOTE 1.	1		RMT

ISSUED BY	REV	PRODUCT CODE	FILE	INSTALLATION DRAWING TITLE				
EMe-HW-C	0909	5300	PRO/E	MECHANICAL INSTALLATION DWG				
APPROVED BY	REV	(ORIGINAL DWS. NO.)	SCALE	RIGID SINGLE LEAD HTHP				
EMe-HF	0909	9240017-994	-	T 1/1 SINGLE	DOC TYPE	DWG NO	ISSUE	SHEET
ROSEMOUNT®				2	9240017-994	02	1/1	

THE COPYRIGHT/OWNERSHIP OF THIS DOCUMENT IS AND WILL REMAIN OURS. THE DOCUMENT MUST NOT BE USED WITHOUT OUR AUTHORIZATION OR BROUGHT TO THE KNOWLEDGE OF A THIRD PARTY. CONTRAVENTION WILL BE PROSECUTED. ROSEMOUNT TANK RADAR AB, SWEDEN

DEPENDING ON TURBULENCE IN TANK AND MOUNTING ANGLE THE PROBE MAY NEED TO BE ANCHORED OR SUPPORTED.

ENSURE THAT PROBE HAS NO CONTACT WITH NOZZLE/TANK WALL.