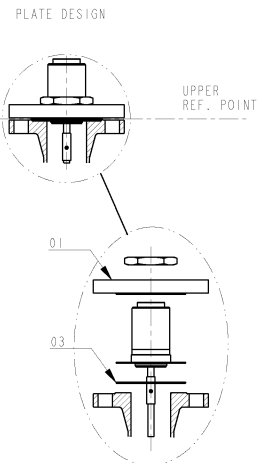
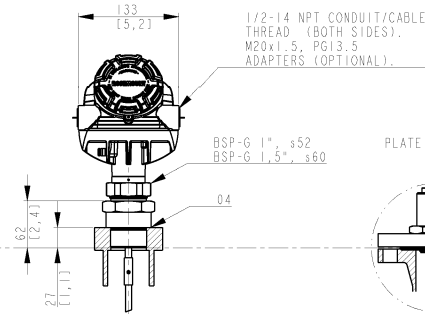
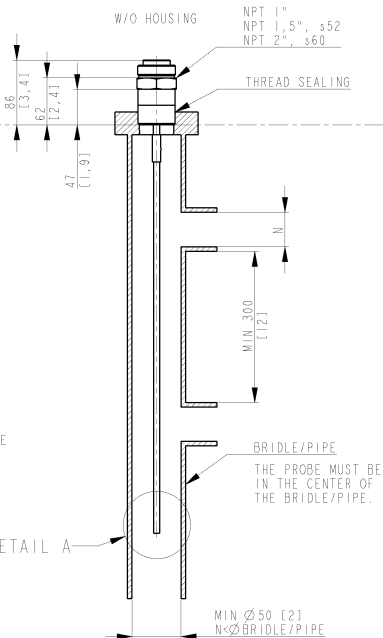


WHEN MOUNTING IN NON METALLIC VESSEL THE PROBE MUST BE MOUNTED WITH A METALLIC FLANGE > 2"/DN50 OR THE THREADED VERSION MUST BE SCREWED IN TO A METAL SHEET > Ø 200 [7,83].

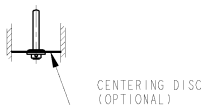
AVOID DISTURBING EMC ENVIRONMENT. INSTALLATION IN METALLIC TANK IS RECOMMENDED.



DEPENDING ON TURBULENCE IN TANK AND MOUNTING ANGLE THE PROBE MAY NEED TO BE ANCHORED OR SUPPORTED.

ENSURE THAT THE PROBE HAS NO CONTACT TO NOZZLE/TANK WALL.

DETAIL A



FOR MORE INFO, SEE REFERENCE MANUAL.

I. P/T-RATING FOR FLANGE; SEE REF. MANUAL.

| POS | ITEM DESCRIPTION | QTY | REMARK  | SUPPLIER |
|-----|------------------|-----|---|----------|
| 04  | GASKET           | 1   | ACC. TO BSP-G THREAD STD.   | CUSTOMER |
| 03  | GASKET           | 1   | SOFT GASKET T=MIN 1,6 (ANSI B16.5/1c, EN1514-1/1BC). SEE NOTE 1.              | CUSTOMER |
| 02  | SCREW/NUT/WASHER | -   | ACC. TO FLANGE STD. SEE NOTE 1.   | CUSTOMER |
| 01  | FLANGE           | 1   | DIM. ACC. TO ANSI B 16.5/EN 1092-1. OTHER ON REQUEST. P/T RATING. SEE NOTE 1. | RMT      |

| ISSUED BY         | MEK  | PRODUCT CODE      | FILE  | INSTALLATION DRAWING TITLE                                      |
|-------------------|------|-------------------|-------|---|
| Eme-HW-C          | 0909 | 5300              | PRO/E | MECHANICAL INSTALLATION DWG                                     |
| APPROVED BY       | MEK  | ORIGINAL DWG. NO. | SCALE |   |
| Eme-HF            | 0909 | 9240030-993       | -     | RIGID SINGLE LEAD   |
| <b>ROSEMOUNT®</b> |      |                   |       | DOC TYPE   DWG NO   ISSUE   SHEET<br>2   9240030-993   02   1/1 |

THE COPYRIGHT/OWNERSHIP OF THIS DOCUMENT IS AND WILL REMAIN OURS. THE DOCUMENT MUST NOT BE USED WITHOUT OUR AUTHORIZATION OR BROUGHT TO THE KNOWLEDGE OF A THIRD PARTY. CONTRAVENTION WILL BE PROSECUTED. ROSEMOUNT TANK RADAR AB, SWEDEN