

THREADED (RTW) SEAL

NOTES

Drawings represent the standard offering. Dimensional drawings may vary when ordering special shaded options. Contact an Emerson Process Management representative if dimensional drawings are required for special order configuration.

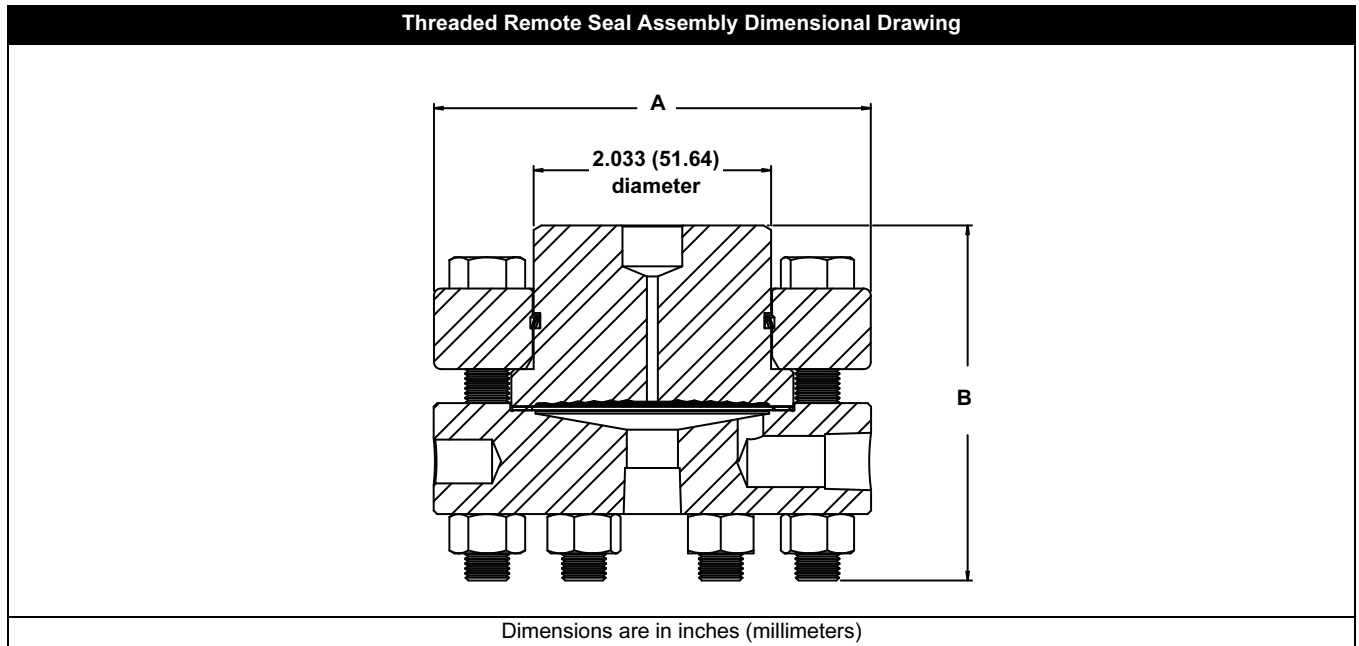


TABLE 28. RTW Dimensions⁽¹⁾

Rating	Overall Diameter (A)	Overall Height (B)	
		No or 1/4-in. NPT flush connection	1/2-in. NPT flush connection
2500 psi (172 bar)	3.75 (95.3)	3.04 (77)	3.54 (90)
5000 psi (345 bar)	3.75 (95.3)	2.50 (64)	3.00 (76)
10000 psi (690 bar)	4.00 (101.6)	2.84 (72)	—
1500 psi (103 bar)	5.47 (139)	2.50 (64)	3.00 (76)

(1) Dimensions are in inches (millimeters).

Rosemount 1199

TABLE 29. Threaded (RTW) Seal Ordering Information⁽¹⁾

Code		Industry Standard		
A		ANSI / ASME B16.5 (American National Standards Institute / American Society of Mechanical Engineers)		
D		DIN (Deutsches Institut für Normung)		
Code		Process Connection Style		
RTW		Threaded (standard thread is female, for male select Option code 9)		
Code		Process Connection Size		
		ANSI	DIN	
1		1/4-18 NPT	NA	
2		3/8-18 NPT	NA	
3		1/2-14 NPT	NA	
4		3/4-14 NPT	NA	
5		1-11.5 NPT	NA	
6 ⁽²⁾		1 1/4-11.5 NPT	NA	
7 ⁽²⁾		1 1/2-11.5 NPT	NA	
C		NA	Parallel thread: G 1/2A DIN 16288	
N		NA	Tapered thread: R 1/2 per ISO 7/1	
Code		Pressure Rating		
		ANSI	DIN	
0		2500 psi	172 bar	
2 ⁽³⁾		5000 psi	344 bar	
3 ⁽³⁾ (4)		10000 psi	NA	
8		1500 psi (4.1-in. (104 mm) diaphragm)	103 bar (4.1-in. (104 mm) diaphragm)	
Code		Diaphragm Material	Upper Housing Material ⁽⁵⁾	Mounting Ring Material
CA		316L SST	316 SST	Carbon Steel
DA		316L SST	316 SST	316 SST
CB		Hastelloy C-276	316 SST	Carbon Steel
DB		Hastelloy C-276	316 SST	316 SST
CC		Tantalum	316 SST	Carbon Steel
DC		Tantalum	316 SST	316 SST
CF		304L SST	316 SST	Carbon Steel
DF		304L SST	316 SST	316 SST
CJ		Hastelloy B	316 SST	Carbon Steel
DJ		Hastelloy B	316 SST	316 SST
CE		Incone [®] 600	316 SST	Carbon Steel
DE		Incone [®] 600	316 SST	316 SST
CV		Monel [®] 400	316 SST	Carbon Steel
DV		Monel [®] 400	316 SST	316 SST
CP		Nickel	316 SST	Carbon Steel
DP		Nickel	316 SST	316 SST
CK		Alloy 20	316 SST	Carbon Steel
DK		Alloy 20	316 SST	316 SST
RH ⁽⁶⁾		Titanium Gr 4	Titanium Gr 4	316 SST
CH ⁽⁷⁾		Titanium Gr 4	316 SST	Carbon Steel
DH ⁽⁶⁾		Titanium Gr 4	316 SST	316 SST
YM ⁽⁵⁾		Titanium Gr 2	Titanium Gr 2	316 SST
CM ⁽⁶⁾		Titanium Gr 2	316 SST	Carbon Steel
DM ⁽⁶⁾		Titanium Gr 2	316 SST	316 SST
C4		Hastelloy C-22	316 SST	Carbon Steel
D4		Hastelloy C-22	316 SST	316 SST
C5		Duplex 2507 SST	316 SST	Carbon Steel
D5		Duplex 2507 SST	316 SST	316 SST
WW		316Ti SST (WNR 1.4571)	316Ti SST (WNR 1.4571)	316 SST
RZ ⁽⁵⁾		Zirconium 702	Zirconium 702	316 SST

Product Data Sheet

00813-0100-4016, Rev HA
January 2008

Rosemount 1199

TABLE 29. Threaded (RTW) Seal Ordering Information⁽¹⁾

CZ ⁽⁶⁾	Zirconium 702	316 SST	Carbon Steel
DZ ⁽⁶⁾	Zirconium 702	316 SST	316 SST
Code	Flushing Connection Ring Material (Lower Housing)^{(8) (9)}		
A	316L SST		
B	Hastelloy C-276		
D	Carbon Steel		
F	304L SST		
H	Titanium Gr 4		
3	Titanium Gr 2		
V	Monel 400		
J	Hastelloy B		
W	316Ti SST (1.4571 SST)		
2	Duplex 2205 SST		
P ⁽¹⁰⁾	PVC (no flushing connections allowed)		
Code	Flushing Options		
1	One 1/4-in. Flushing Connection		
3	Two 1/4-in. Flushing Connection		
5	No Flushing Connection		
Code	Options (select up to 3)		
3 ⁽³⁾	304 SST Bolts		
4 ⁽³⁾	316 SST Bolts		
B	Extra Fill for Cold Temperature Applications		
C	150 µm (0.006-in.) Diaphragm Thickness (316L SST and Hastelloy C-276 diaphragms only, for abrasive applications)		
D	Hastelloy Plug In. Flushing Connection		
G	SST Plug In Flushing Connection		
H	SST Drain / Vent in Flushing Connection		
J ⁽³⁾⁽¹¹⁾	PTFE Gasket (for use with flushing connection ring)		
K ⁽³⁾⁽¹¹⁾	Barium Sulfate-filled PTFE Gasket (for use with flushing connection ring)		
N ⁽¹¹⁾	Grafoil Gasket (for use with flushing connection ring)		
R ⁽³⁾⁽¹¹⁾	Ethylene Propylene Gasket for lower housing		
V ⁽¹¹⁾⁽¹²⁾	PTFE Coated Diaphragm for nonstick purposes (316L SST and Hastelloy C-276 diaphragms only)		
U	25 µm (0.001 in) Gold Plated Diaphragm		
T ⁽¹³⁾	NACE MR0175/ISO 15156, MR0103		
g ⁽¹⁴⁾	Male NPT Process Connection Threads		
5	Monel metal gasket (Pressure Rating code 3 only)		

(1) Shaded areas indicate special orders. Consult an Emerson Process Management representative for availability, performance effects, and lead time.

(2) Flushing connection not available.

(3) Consult an Emerson Process Management representative for pricing and availability on Pressure Rating codes 2 or 3.

(4) The following process connection sizes are D rated: 3/4-in (9000 psi/621 bar), 1-in. (8700 psi/600 bar), 1 1/4-in (7000 psi/483 bar), and 1 1/2-in. (6000 psi/414 bar).

(5) When ordering special diaphragm materials, the upper housing is 316 SST unless otherwise noted.

(6) Not available with welded capillary connections.

(7) Operating temperature is limited to 150 °C (302 °F).

(8) Supplied with C4401 aramid fiber gasket.

(9) Flushing Connection Ring/ Lower Housing assembly bolts provided as standard are carbon steel for ANSI and 304 SST for DIN.

(10) Maximum working pressure of 200 psi.

(11) Not available with Pressure Rating code 3.

(12) Not available with transmitter option code Q8, for Material Traceability per DIN EN 10204 3.1B of the transmitter / diaphragm seal assembly.

(13) Materials of Construction comply with metallurgical requirements highlighted within NACE MR0175/ISO 15156 for sour oil field production environments. Environmental limits apply to certain materials. Consult latest standard for details. Selected materials also conform to NACE MR0103 for sour refining environments.

(14) Only available with Process Connection codes 3 and 5.