

## TANK SPUD (SSW) SEAL

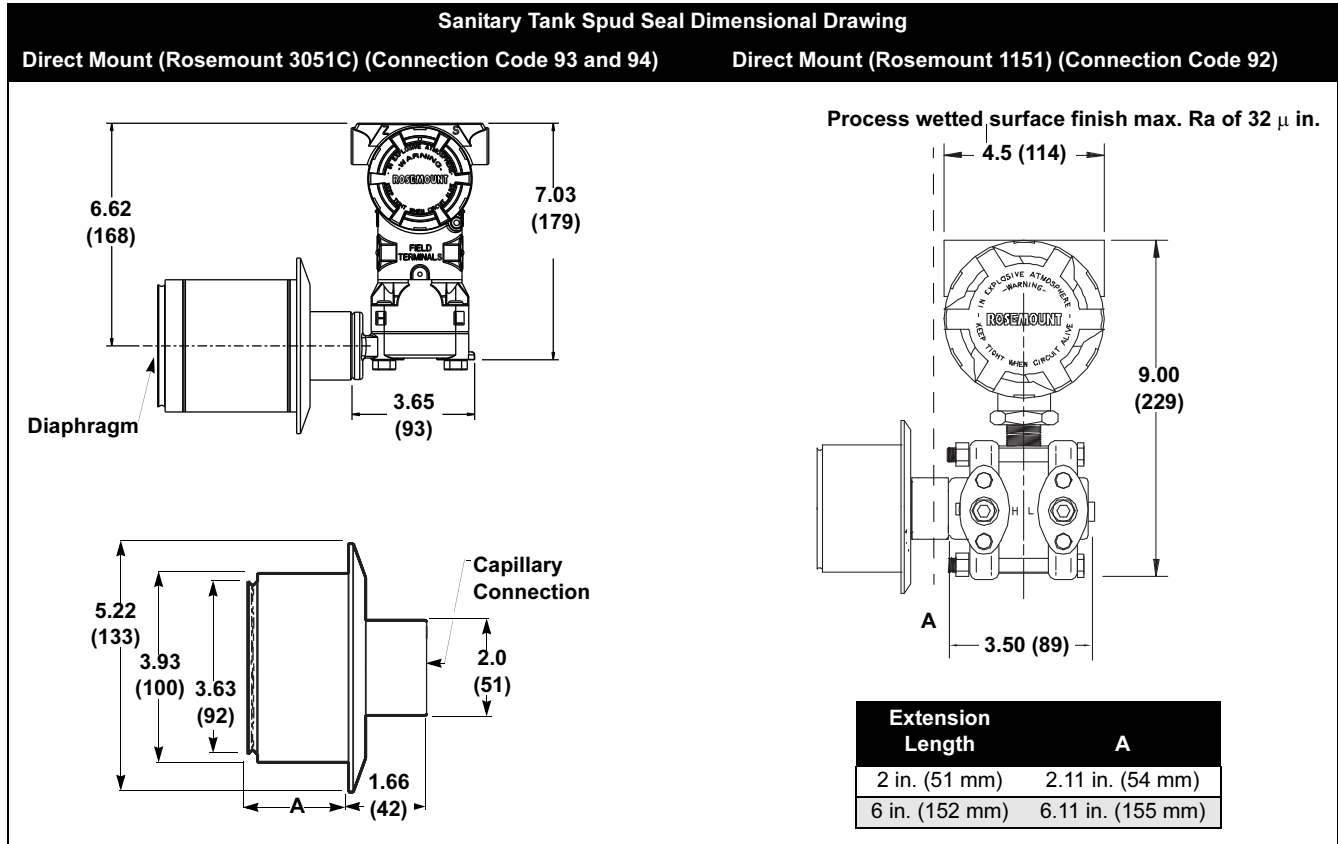


TABLE 46. Sanitary Tank Spud (SSW) Seal Ordering Information

<b>Code</b>	<b>Industry Standard</b>	
S	Sanitary (Conforms to 3-A Standard 74)	
<b>Code</b>	<b>Process Connection Style</b>	
SSW <sup>(1)</sup>	Sanitary Tank Spud Style	
<b>Code</b>	<b>Maximum Working Pressure (Clamp Rating)</b>	
A0	600 psig (4 136 kPa)	
<b>Code</b>	<b>Upper Housing Material</b>	
A	316 SST	
<b>Code</b>	<b>Wetted Parts Material – Diaphragm</b>	<b>Extension</b>
AL	316L SST (WNR 1.4435) <sup>(2)</sup>	316L SST <sup>(2)</sup>
BB	Hastelloy C-276	Hastelloy C-276/ 316L SST
<b>Code</b>	<b>Extension Length</b>	
2	2 in. Extension	
6	6 in. Extension	
<b>Code</b>	<b>Options</b>	
1	Tank Spud Included with Seal Shipment	
4	Viton® O-ring, instead of Standard Ethylene Propylene O-ring (Conforms to 3-A Standard 74)	
3	Buna N O-ring, instead of Standard Ethylene Propylene O-ring (Conforms to 3-A Standard 74)	
P	Non-Sanitary Fill Fluid (Does not conform to 3-A Standard 74)	
C	150 μm (0.006-in.) Diaphragm Thickness	
H	20 μin. (0.5 μm) diaphragm surface finish	
G <sup>(3)</sup>	15 μin. (0.375 μm) diaphragm surface finish	
6	Electropolishing	

(1) Clamp and Ethylene Propylene o-ring (conforms to 3-A standard 74 and USP class VI) supplied.

(2) Diaphragm brazed and Tig-welded to extension.

(3) Requires Option code 6, electropolishing.

**Sanitary Tank Spud Accessories**

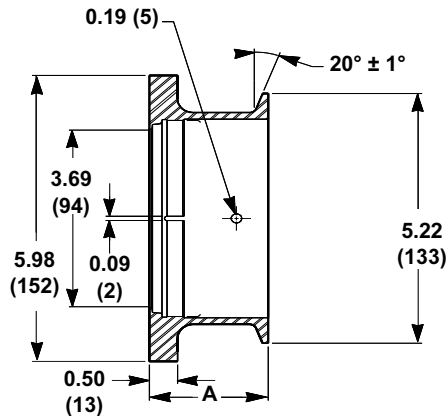
**Tank Spud and Clamp**



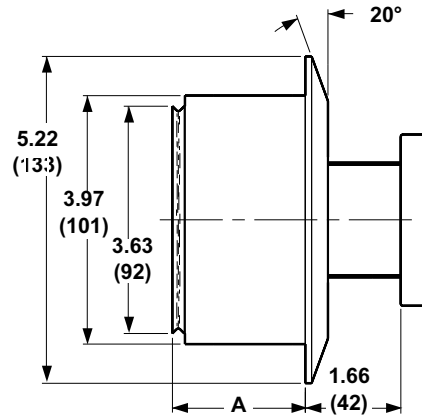
**Rosemount 1151 with 1151 Direct Mount Sanitary Tank Spud with Tank Spud and Clamp**



**Tank Spud**



**Tank Spud Plug**



Dimensions are in inches (millimeters)

TABLE 47. Sanitary Tank Spud Optional Accessories

Model	Description
1199-0061-	Sanitary Tank Spud <sup>(1)</sup>
Code	Size
0001	2 in.
0002	6 in.

Model	Description
1199-0552-	Sanitary Tank Spud Plug
Code	Size
0001	2 in.
0002	6 in.

(1) Welding procedures and material certifications are shipped with the tank spud. Standard material is cast equivalent of 316L SST per ASTM- A351 grade CF3M.

TABLE 48. Sanitary Tank Spud Spare Parts

Part Number	Description
01199-0526-0002	Clamp
C531850070-0341	Ethylene Propylene O-ring