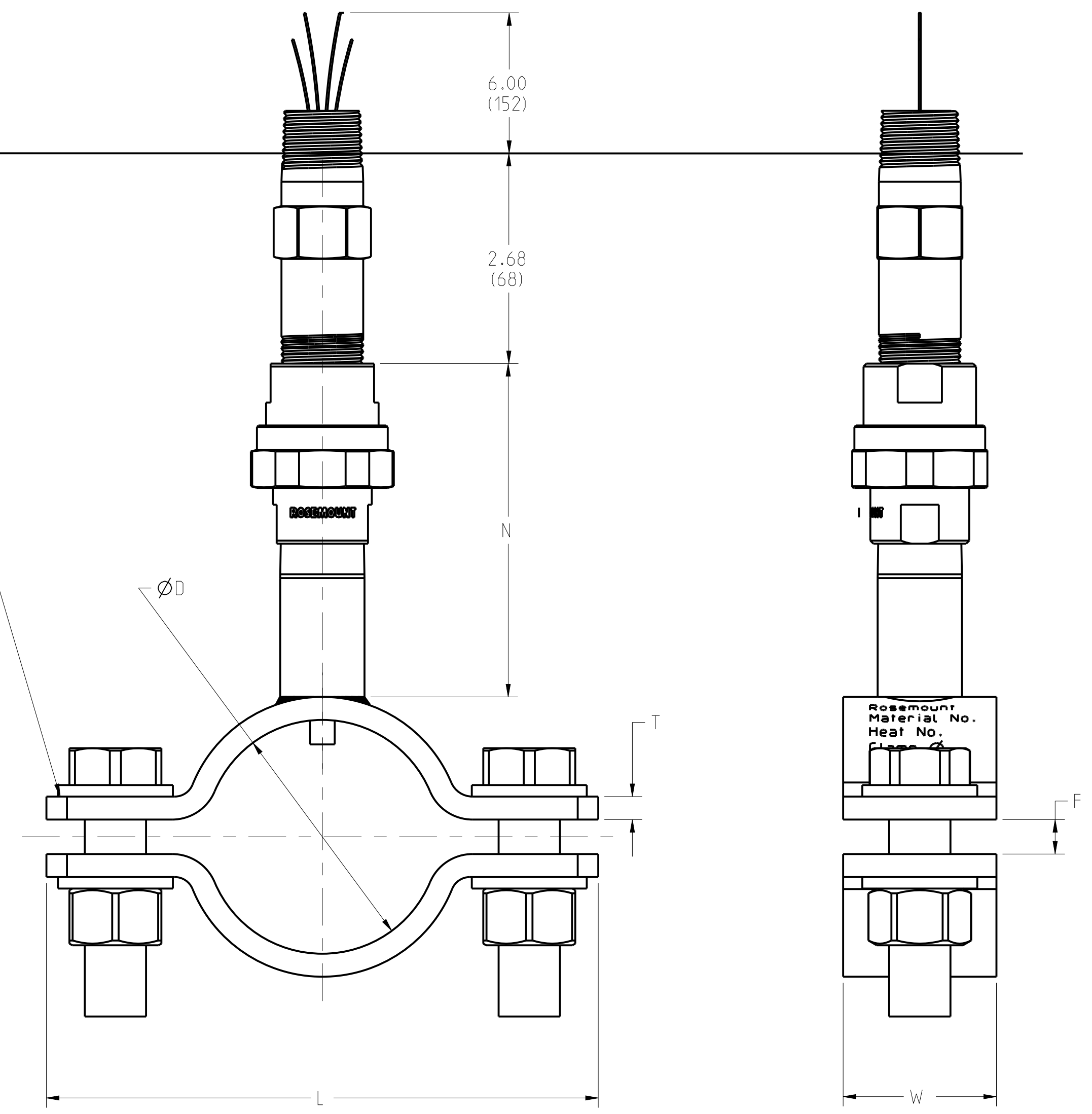
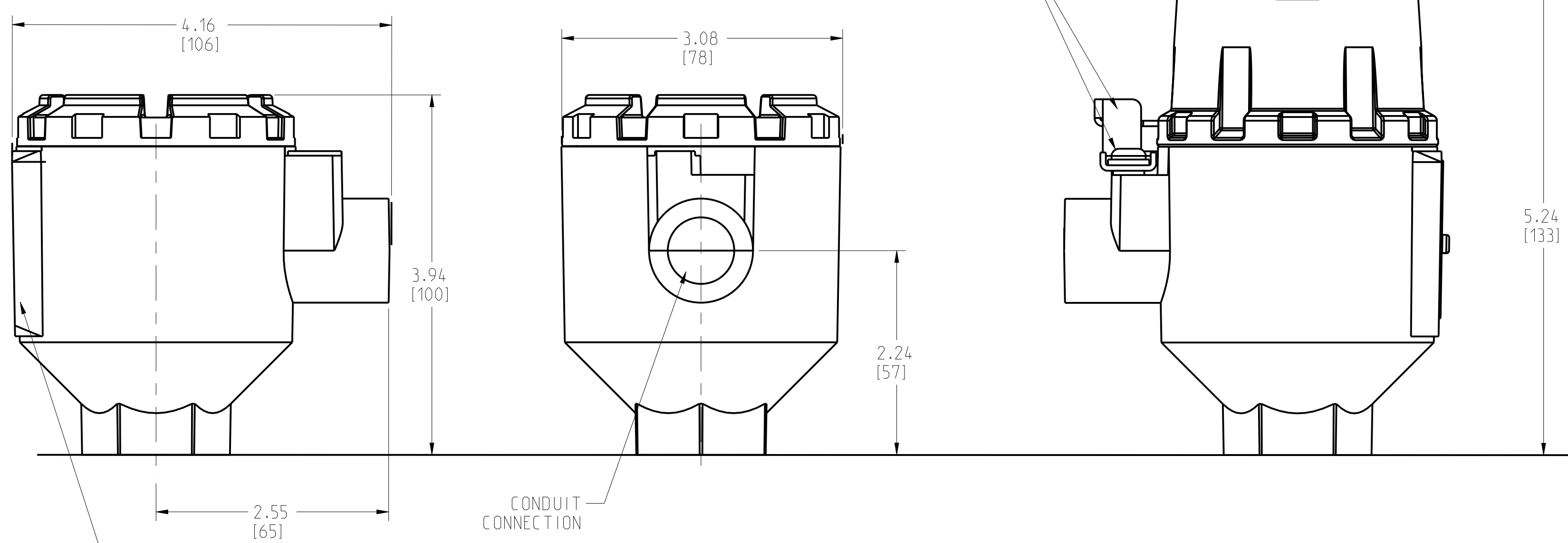


REVISION TABLE			
REVISION	ECO NO.	APP'D	DATE
AA	RTC1056805	KW	4//10/13
DESCRIPTION			
CREATE PRO-E DRAWING			

ROSEMOUNT  
ALUMINUM OR SST

ROSEMOUNT ALUMINUM OR SST  
WITH LCD METER COVER



CODE	DIAMETER (D)		SUITABLE PIPE SIZE		CLAMP DIMENSIONS W x T	BOLT DIMENSIONS THREAD x LENGTH	CLAMP LENGTH (L)	CLAMP SPACE (F)
	mm	INCH	DIN					
STANDARD								
20	22	1/2"	DN15		30 x 5mm	M10 x 30mm	89	7
34	34	1"	DN25		30 x 5mm	M10 x 30mm	102	7
61	61	2"	DN50		40 x 6mm	M12 x 40mm	144	9
89	89	3"	DN80		40 x 6mm	M12 x 40mm	172	9
115	115	4"	DN100		50 x 8mm	M16 x 60mm	226	11
140	140	5"	DN125		50 x 8mm	M16 x 60mm	252	11
169	169	6"	DN150		50 x 8mm	M16 x 60mm	280	11
220	220	8"	DN200		50 x 8mm	M16 x 60mm	332	11
273	273	10"	DN250		60 x 8mm	M20 x 60mm	408	14
EXPANDED								
27	27	3/4"	DN20		30 x 5mm	M10 x 30mm	126	7
30	30	n/a	DN25		30 x 5mm	M10 x 30mm	128	7
43	43	1 1/4"	DN32		30 x 5mm	M10 x 30mm	142	7
49	49	1 1/2"	DN40		30 x 5mm	M10 x 30mm	148	7
77	77	2 1/2"	DN65		40 x 6mm	M12 x 40mm	202	9
159	159	n/a	DN150		50 x 8mm	M16 x 60mm	322	11
306	306	n/a	n/a		60 x 8mm	M20 x 60mm	502	14
324	324	12"	DN300		60 x 8mm	M20 x 60mm	518	14
356	356	14"	DN350		60 x 8mm	M20 x 60mm	552	14
368	368	n/a	DN350		60 x 8mm	M20 x 60mm	564	14
407	407	16"	DN400		70 x 10mm	M24 x 90mm	638	18
458	458	18"	DN450		70 x 10mm	M24 x 90mm	690	18
508	508	20"	DN500		70 x 10mm	M24 x 90mm	740	18
521	521	n/a	DN500		70 x 10mm	M24 x 90mm	754	18
610	610	24"	DN600		70 x 10mm	M24 x 90mm	857	18
660	660	26"	n/a		70 x 10mm	M24 x 90mm	907	18
720	720	n/a	n/a		70 x 10mm	M24 x 90mm	960	18
762	762	30"	DN790		70 x 10mm	M24 x 90mm	1002	18
813	813	32"	DN900		70 x 10mm	M24 x 90mm	1053	18
915	915	36"	DN1000		70 x 10mm	M24 x 90mm	1156	18
1016	1016	40"	n/a		70 x 10mm	M24 x 90mm	1259	18
1070	1070	42"	n/a		70 x 10mm	M24 x 90mm	1315	18
1219	1219	48"	n/a		70 x 10mm	M24 x 90mm	1464	18

UNLESS OTHERWISE SPECIFIED  
CONNECTIONS AND DIMENSIONS  
INFORMATION IS CONTAINED HEREIN  
AND MUST BE HANDLED ACCORDINGLY.  
EMERSON

INFORMATION WITHIN THIS  
DOCUMENT IS UNCLASSIFIED  
EXCEPT WHERE SHOWN  
OTHERWISE. IT IS THE POLICY  
OF EMERSON TO MAKE  
TECHNICAL INFORMATION  
AVAILABLE TO THE PUBLIC.

CUSTOMER	3RD ANGLE	SIZE	SCALE	REV
CUSTOMER DWG NO.		D	1/2	AA
P.O. No.				
S.O. No.	TITLE 0085 PIPE CLAMP SENSOR			
PROJECT NAME	DR. J. ARMSTRONG	4/10/13	DRAWING NO.	00085-7000
	APP'D KW	4/10/13		
DO NOT SCALE PRINT CAD MAINTAINED. (PRO/E) PRODUCT CODE		DOC TYPE D SHEET 1 OF 1		

TAG NO. 00085-7000  
DRAWING NO.