

Rosemount 3308 Series Wireless Guided Wave Radar, 3308A

Quick Start Guide



WARNING

Explosions could result in death or serious injury.

Installation of device in an explosive environment must be in accordance with appropriate local, national and international standards, codes, and practices.

Ensure device is installed in accordance with intrinsically safe or non-incendive field practices.

Electrical shock can result in death or serious injury.

Ground device on non-metallic tanks (e.g. fiberglass tanks) to prevent electrostatic charge build-up.

Single lead probes are sensitive for strong electromagnetic fields and therefore not suitable for non-metallic tanks.

Care must be taken during transportation of power module to prevent electrostatic charge build-up.

Device must be installed to ensure a minimum antenna separation distance of 8 in. (20 cm) from all persons.

Process leaks could result in death or serious injury.

Handle the transmitter carefully.

If the process seal is damaged, gas could escape from the tank when removing the transmitter head from the probe.

Failure to follow safe installation guidelines could result in death or serious injury.

Only qualified personnel should install the equipment.

Use the equipment only as specified in this guide and the Reference Manual. Refer to Rosemount 3308 Series Wireless Guided Wave Radar, 3308A Reference Manual (document number 00809-0100-4308) for more instruction.

Required equipment



Measuring tape



Standard tools, e.g. screwdriver, wrench, pliers



Anti-seize paste or PTFE tape
(for NPT threaded connection)



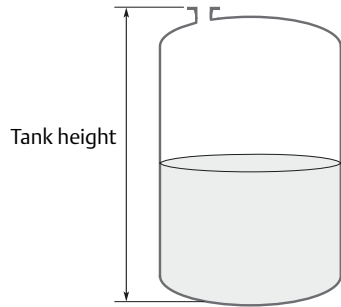
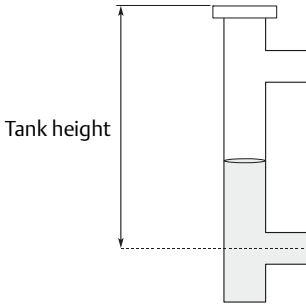
AMS Wireless Configurator version
12.0 or later, or Field Communicator



Gasket
(for BSP/G threaded, flanged,
and Tri-Clamp™ connections)

1. Measure tank height

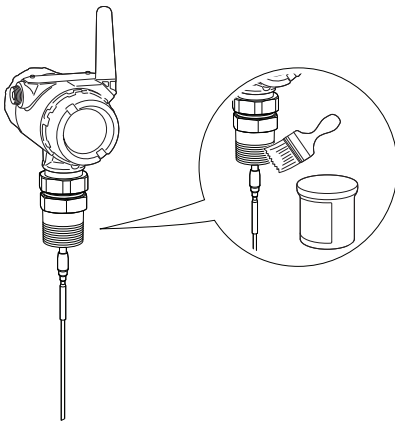
Tank height:



2. Seal and protect threads

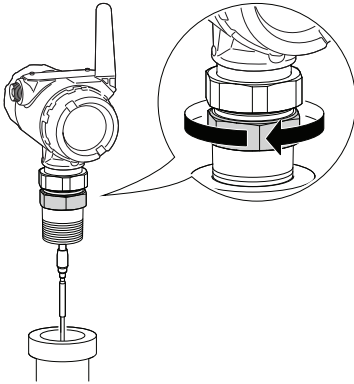
Use anti-seize paste or PTFE tape according to your site procedures.

 Only for NPT threaded tank connection.

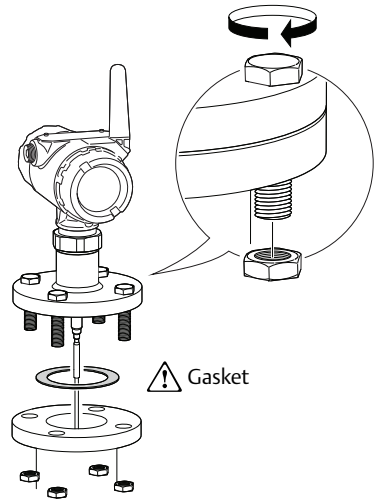


3. Mount device on tank

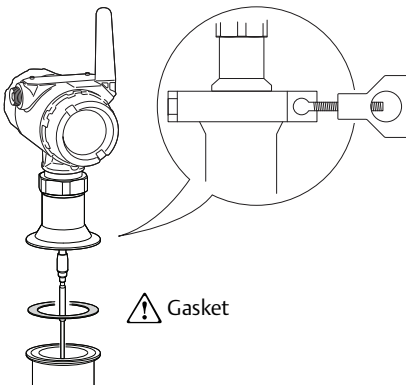
NPT



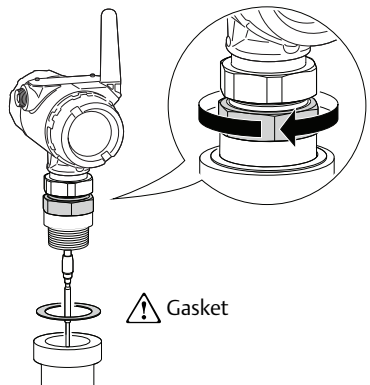
Flange



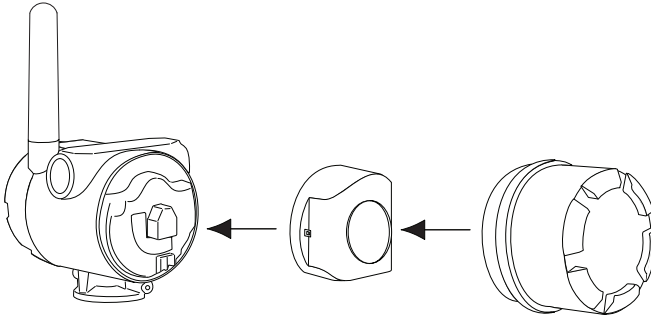
Tri-Clamp



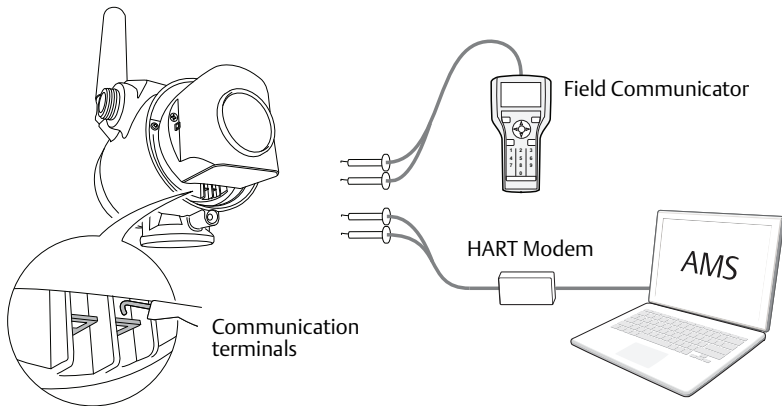
BSP/G



4. Insert power module



5. Connect to device



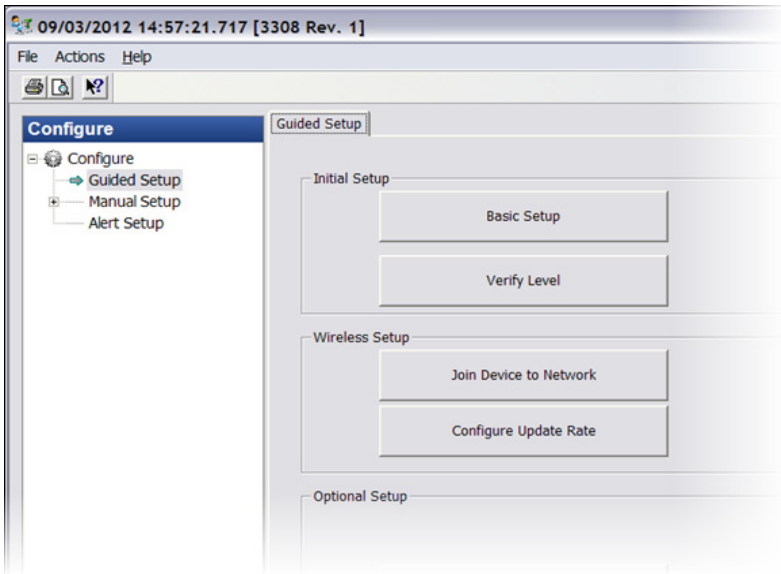
AMS Wireless Configurator:

- Start AMS Wireless Configurator.
- Select **Device Connection View** in the **View** menu.
- Double click on the device under the HART modem.

Field Communicator:

- Turn on the Field Communicator.
- Tap the HART symbol from the main menu.
- The Field Communicator now connects to the device.

6. Configure device using Guided Setup



- a. Go to **Configure > Guided Setup > Initial Setup**.
- b. Click **Basic Setup** and follow the instructions.

Use **Tank Height** recorded in step 1 of this document.

- c. Click **Verify Level** to check your level measurement.
- d. Consider optional setup, such as **Volume** and **Device Display**.

7. Join device to network

- a. Go to **Overview > Shortcuts**.
- b. Click **Configure Update Rate** and follow the instructions.
- c. Obtain **Network ID** and **Join Key** for the wireless network (available in wireless gateway).
- d. Click **Join Device to Network** and follow the instructions.

8. Wait for device to join network



- a. Go to **Overview > Status**.
- b. Wait for communication status to become **Connected**.
This takes several minutes. Please, have patience.

You have now successfully installed the Rosemount 3308 Series Wireless Guided Wave Radar.

Learn more

Visit www.rosemount.com/level to download the Rosemount 3308 Series Wireless Guided Wave Radar, 3308A Reference Manual (document number 00809-0100-4308).



**Emerson Process
Management
Rosemount Inc.**

8200 Market Boulevard
Chanhassen, MN USA 55317
Tel (USA) +1 800 999 9307
Tel (International) +1 952 906 8888
F +1 952 949 8889

**Emerson Process
Management**

Blegistrasse 23
P.O. Box 1046
CH 6341 Baar
Switzerland
Tel +41 (0) 41 768 6111
Fax +41 (0) 41 768 6300

Emerson FZE

P.O. Box 17033
Jebel Ali Free Zone
Dubai UAE
Tel +971 4 811 8100
Fax +971 4 886 5465

**Emerson Process
Management
Asia Pacific Pte Ltd**

1 Pandan Crescent
Singapore 128461
Tel +65 6777 8211
Fax +65 6777 0947/65 6777 0743

**Emerson Process
Management
Latin America**

1300 Concord Terrace, Suite 400
Sunrise Florida 33323 USA
Tel +1 954 846 5030

**Emerson Beijing
Instrument Co**

No.6 North Street, Hepingli
Dongcheng District, Beijing
100013
China
Tel +8610 64282233
Fax +8610 642 87640

© 2014 Rosemount Inc. All rights reserved. All marks property of owner.
The Emerson logo is a trade mark and service mark of Emerson Electric Co.
Rosemount and the Rosemount logotype are registered trademarks of Rosemount Inc.
Tri-Clamp is a trademark of Rosemount Inc.