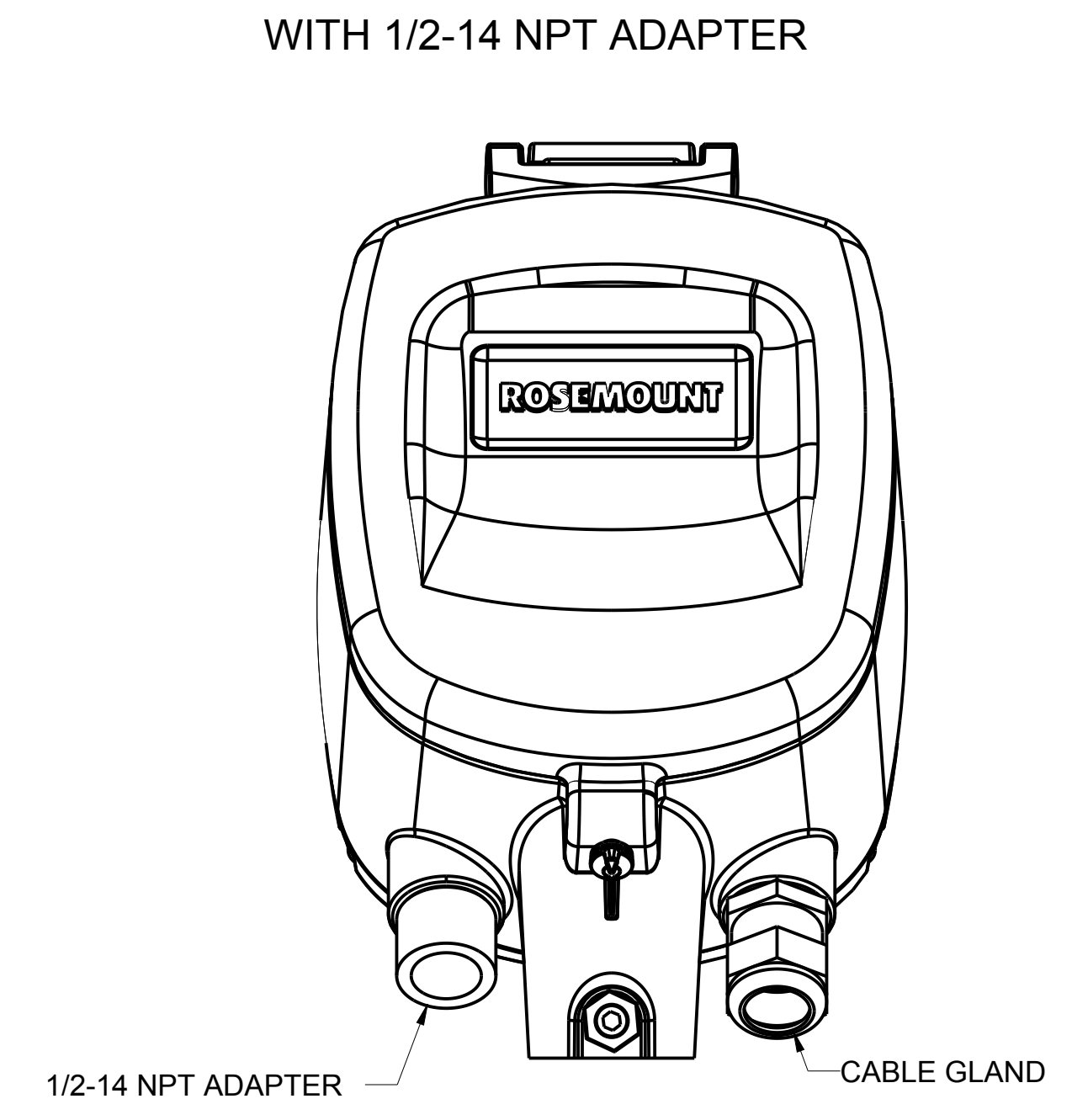
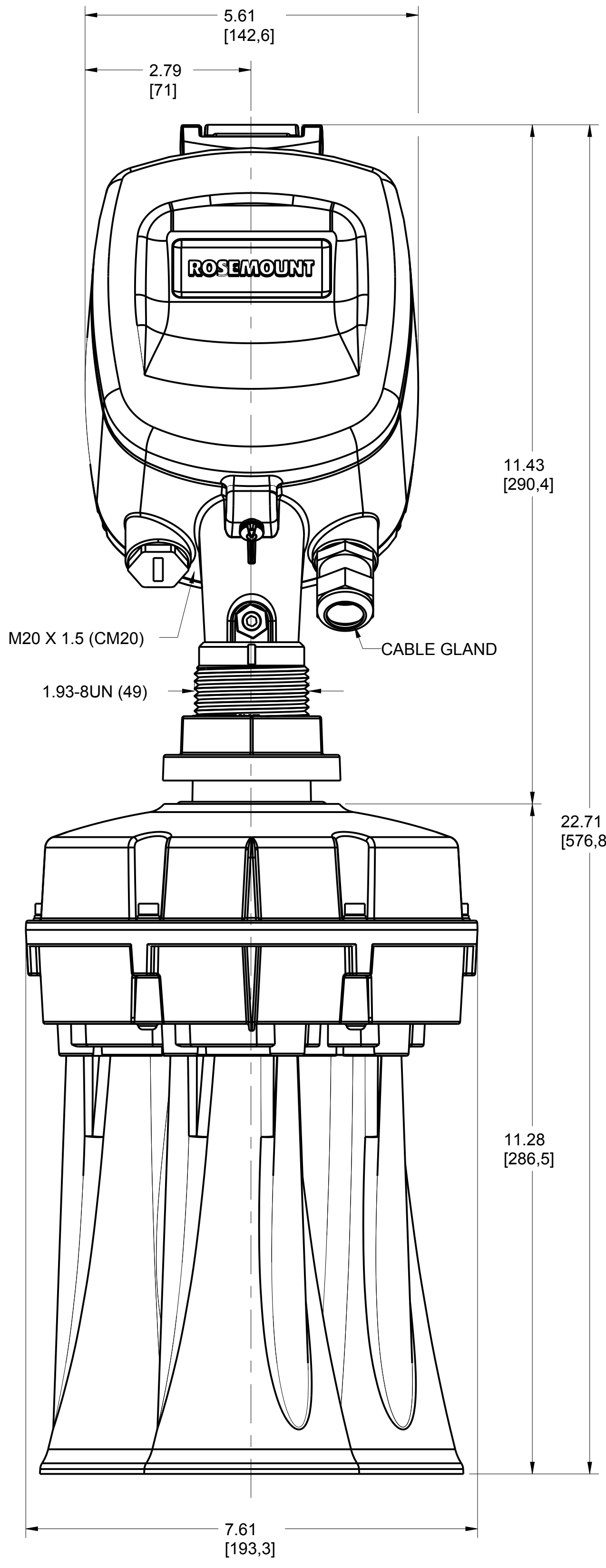
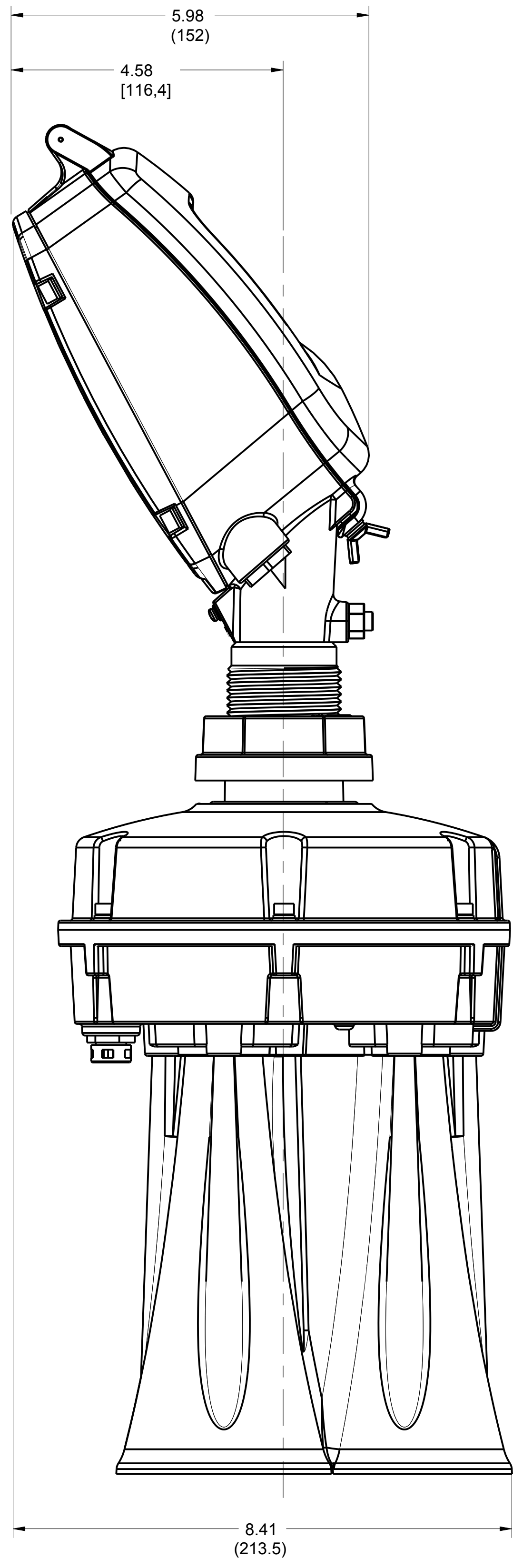


ROSEMOUNT 5708 SOLIDS SCANNER

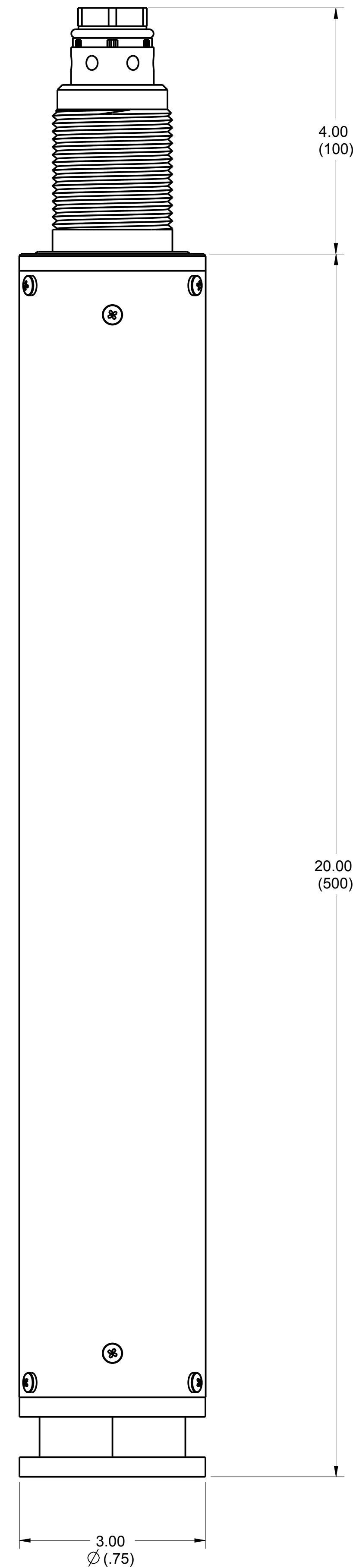
REVISION TABLE			
REVISION	ECO NO.	APP'D	DATE
AA	RTC1061145	JN	10/10/14
DESCRIPTION			
CONVERT TO PRO TYPE 1			



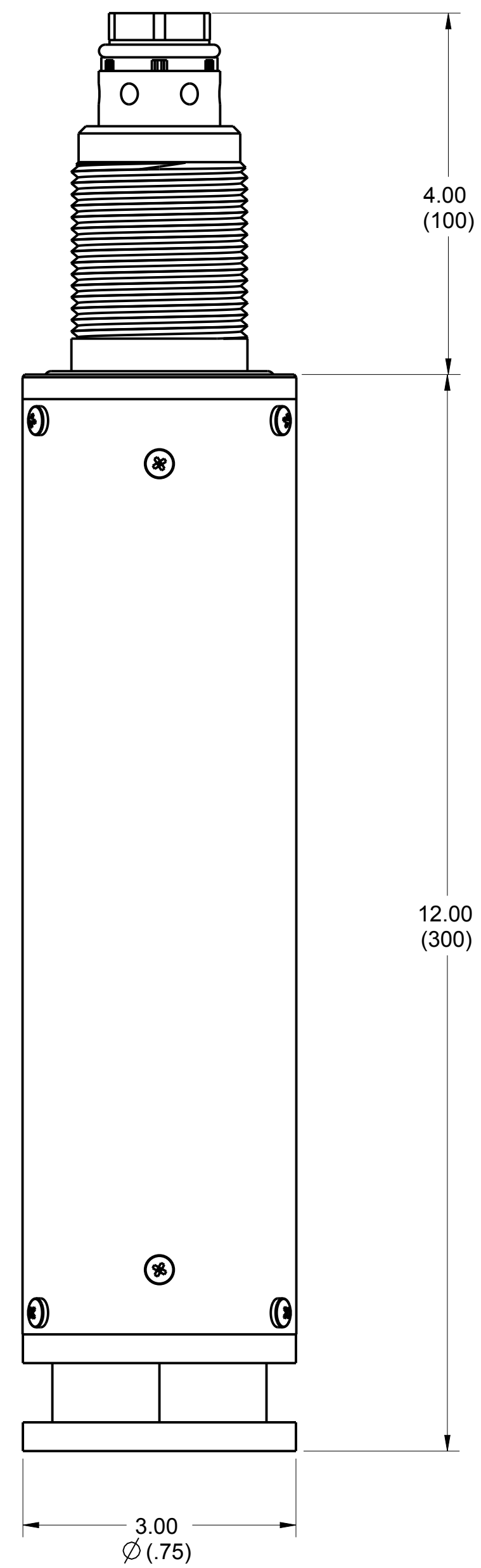
<small>UNLESS OTHERWISE SPECIFIED DIMENSIONS ARE IN INCHES CONVERSIONS TO METRIC DIMENSIONS AND MUST BE HANDLED ACCORDINGLY. EMERSON</small>	CUSTOMER	***	3RD ANGLE	SIZE	SCALE	REV
	CUSTOMER DWG NO.	***		D	1/4	AA
	P.O. No.	***				
	S.O. No.	***				
PROJECT NAME	DR.	JLA	10/9/14	DRAWING NO.		
	APP'D	J. NEUHARTH	10/10/14	05708-7000		
DO NOT SCALE PRINT	CAD MAINTAINED, (PRO/E)	PRODUCT CODE	DOC TYPE	SHEET 1 OF 3		

DRAWING NO. 05708-7000 TAG NO. CAL.

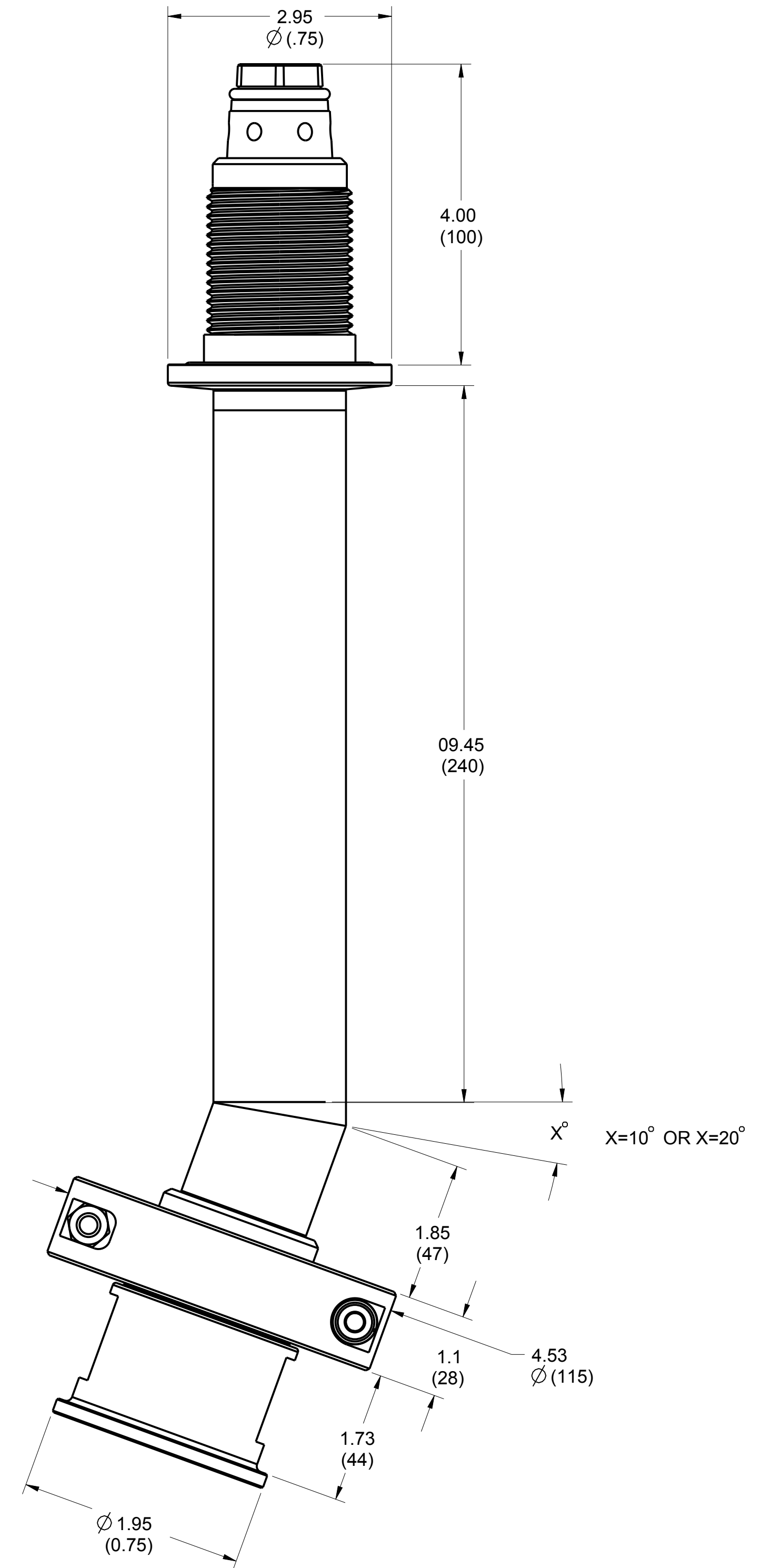
ROSEMOUNT 5708 SOLIDS SCANNER



SCANNER EXTENDERS



SCANNER ANGLE EXTENDER

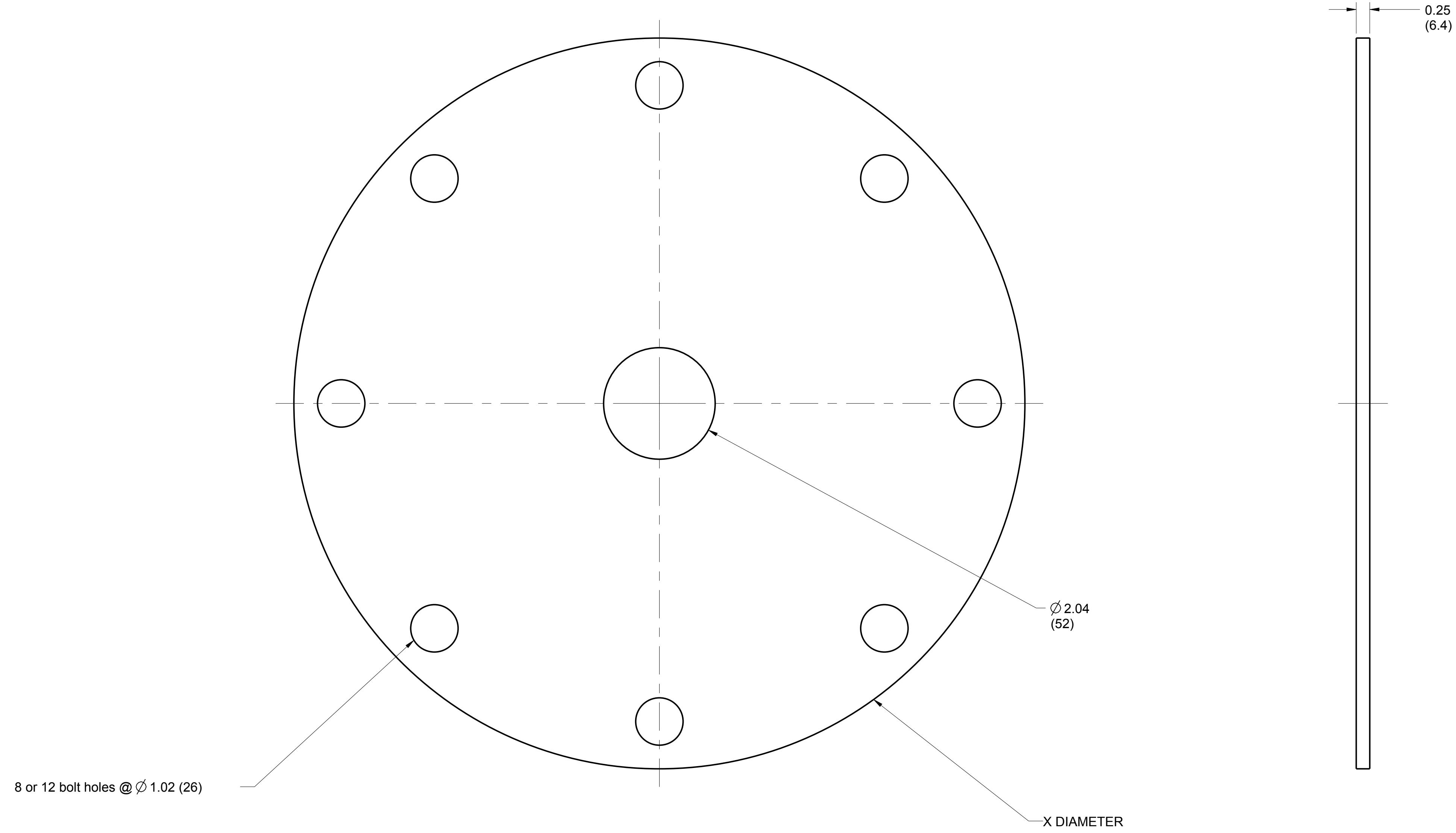


<small>UNLESS OTHERWISE SPECIFIED DIMENSIONS AND DECIMALS INFORMATION IS CONTAINED HEREIN AND MUST BE HANDLED ACCORDINGLY. EMERSON</small>	CUSTOMER	***	3RD ANGLE	SIZE	SCALE	REV
	CUSTOMER DWG NO.	***	D	1/4	AA	
	P.O. No.	***	EMERSON Process Management			
	S.O. No.	***				
PROJECT NAME		DR.	JLA	10/9/14	DRAWING NO.	
		APPD J. NEUHARTH		10/10/14	05708-7000	
DO NOT SCALE PRINT		CAD MAINTAINED, (PROE)	PRODUCT CODE	DOC TYPE	SHEET 2 OF 3	

TAG NO. 05708-7000
 DRAWING NO. 05708-7000

ROSEMOUNT 5708 SOLIDS SCANNER

MOUNTING PLATE



X=PLATE DIAMETER
ANSI 8 IN. = \varnothing 13.5 (342.9)
ANSI 10 IN. = \varnothing 16.00 (406.4)
DN200 (8DA) = \varnothing 13.38 (340)
DN250 (TDA) = \varnothing 15.94 (405)

<small>UNLESS OTHERWISE SPECIFIED DIMENSIONS AND TOLERANCES GOVERN OVER ALL OTHERS. INFORMATION IS CONTAINED HEREIN AND MUST BE HANDLED ACCORDINGLY. EMERSON</small>	CUSTOMER	***	3RD ANGLE	SIZE	SCALE	REV
	CUSTOMER DWG NO.	***	D	1/3	AA	
	P.O. No.	***				
	S.O. No.	***				
PROJECT NAME	DR.	JLA	10/9/14	DRAWING NO.		
	APP'D	J. NEUHARTH	10/10/14		05708-7000	
DO NOT SCALE PRINT	CAD MAINTAINED, (PRO/E)	PRODUCT CODE	DOC TYPE	SHEET 3 OF 3		

DRAWING NO. 05708-7000 TAG NO. CAL.