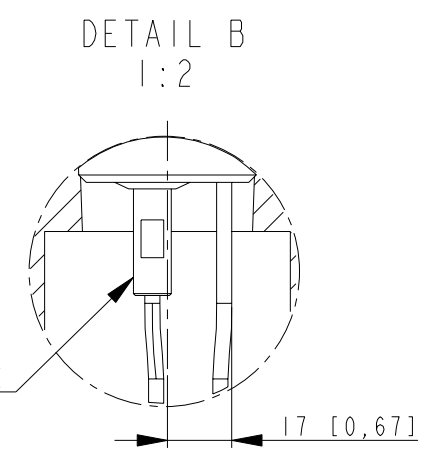
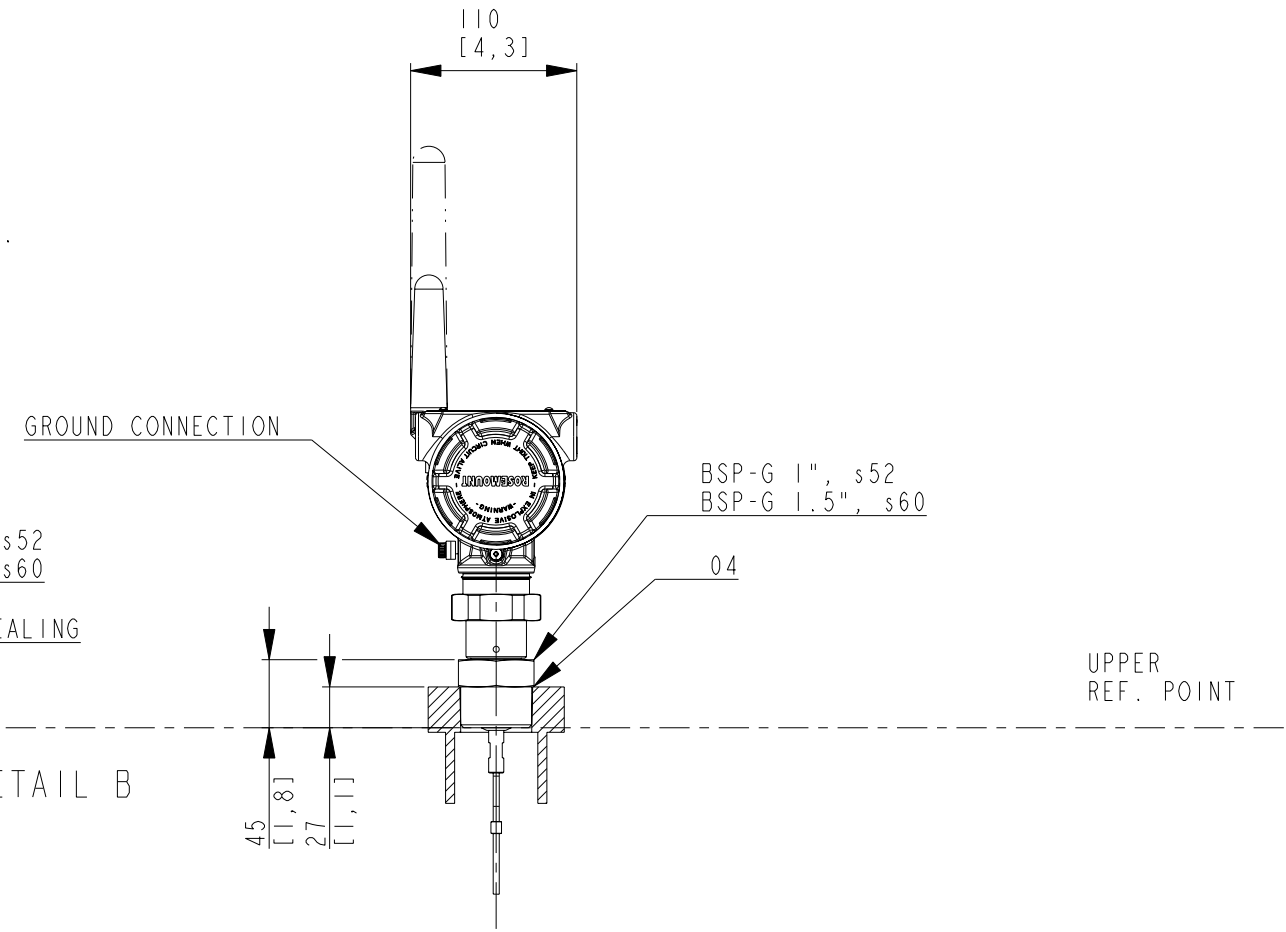
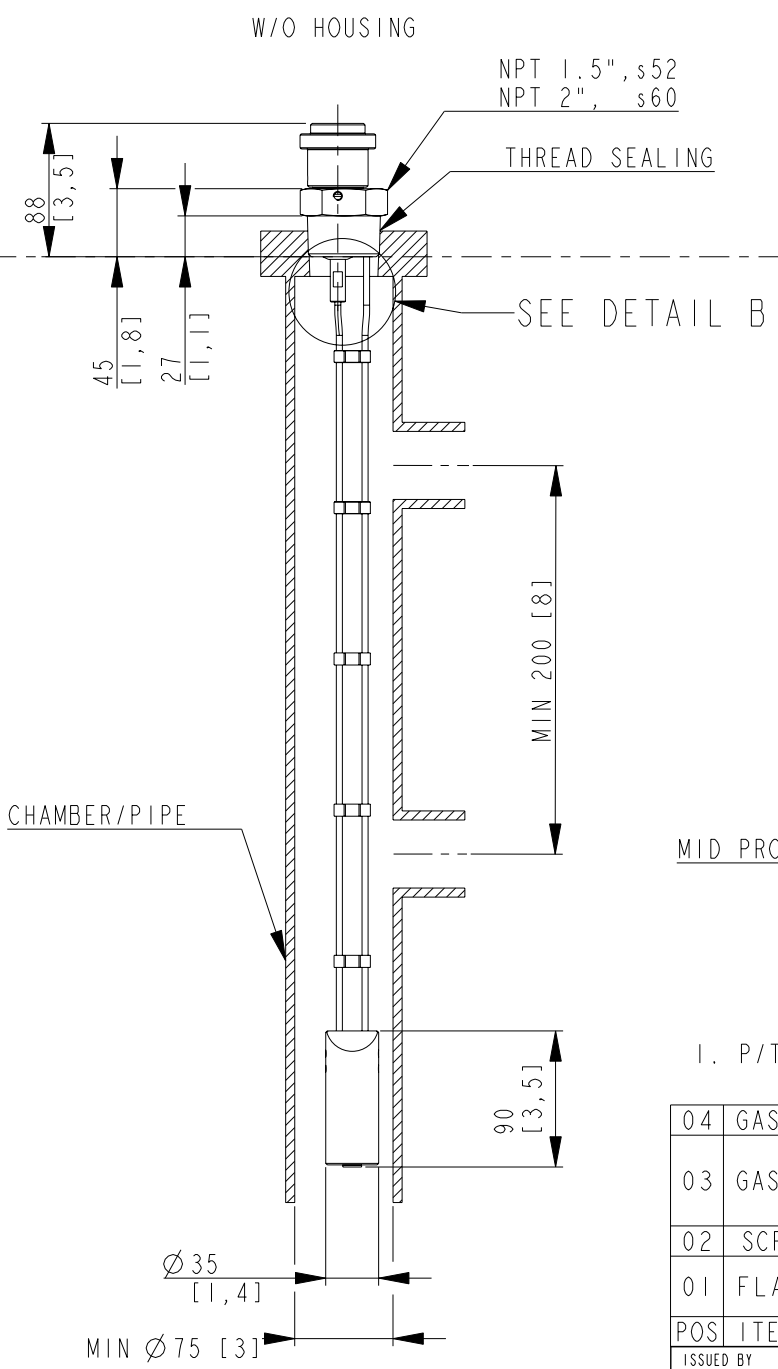
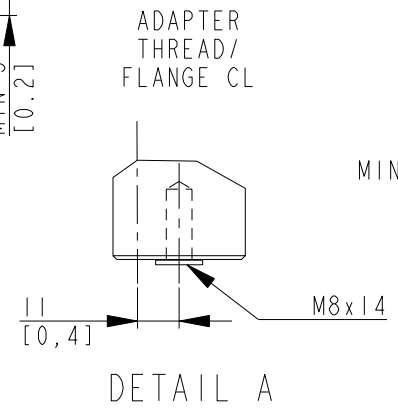


AVOID DISTURBING EMC ENVIRONMENT.
INSTALLATION IN METALLIC TANK IS RECOMMENDED.



1. P/T-RATING FOR FLANGE; SEE REF. MANUAL.

POS	ITEM DESCRIPTION	QTY	REMARK	SUPPLIER
04	GASKET	1	ACC. TO BSP-G THREAD STD.	CUSTOMER
03	GASKET	1	SOFT GASKET T-MIN 1.6 (ASME B16.5/1a, EN1514-1/1BC). SEE NOTE 1.	CUSTOMER
02	SCREW/NUT/WASHER	-	ACC. TO FLANGE STD, SEE NOTE 1.	CUSTOMER
01	FLANGE	1	DIM. ACC. TO ASME B 16.5/EN 1092-1. OTHER ON REQUEST. P/T RATING, SEE NOTE 1.	RMT



FOR MORE INFO, SEE REFERENCE MANUAL

DEPENDING ON TURBULENCE IN TANK AND MOUNTING ANGLE THE PROBE MAY NEED TO BE ANCHORED OR SUPPORTED.

ENSURE MID PROBE HAS NO CONTACT WITH NOZZLE/ TANK WALL. MIN DISTANCE 15 [0,6].

EMERSON
Process Management

ROSEMOUNT®
GAMLESTADSVÄGEN 18 B, S-402 51 GOTHENBURG, SWEDEN.

INSTALLATION DRAWING TITLE
MECHANICAL INSTALLATION DWG FLEXIBLE TWIN LEAD

ISSUED BY EMe-HS-C	DRAWN WEEK 1243	PRODUCT CODE 3308
APPROVED BY EMe-BH	APP'D WEEK 1313	DOCUMENT TYPE 2
ORIGINAL DRAWING NO. D7000001-388	SIZE A3	1 ST ANGLE
CAD MAINTAINED, (PRO/E)	DO NOT SCALE PRINT	

DRAWING NO. **D7000001-388** ISSUE **01** SHEET **1/1**