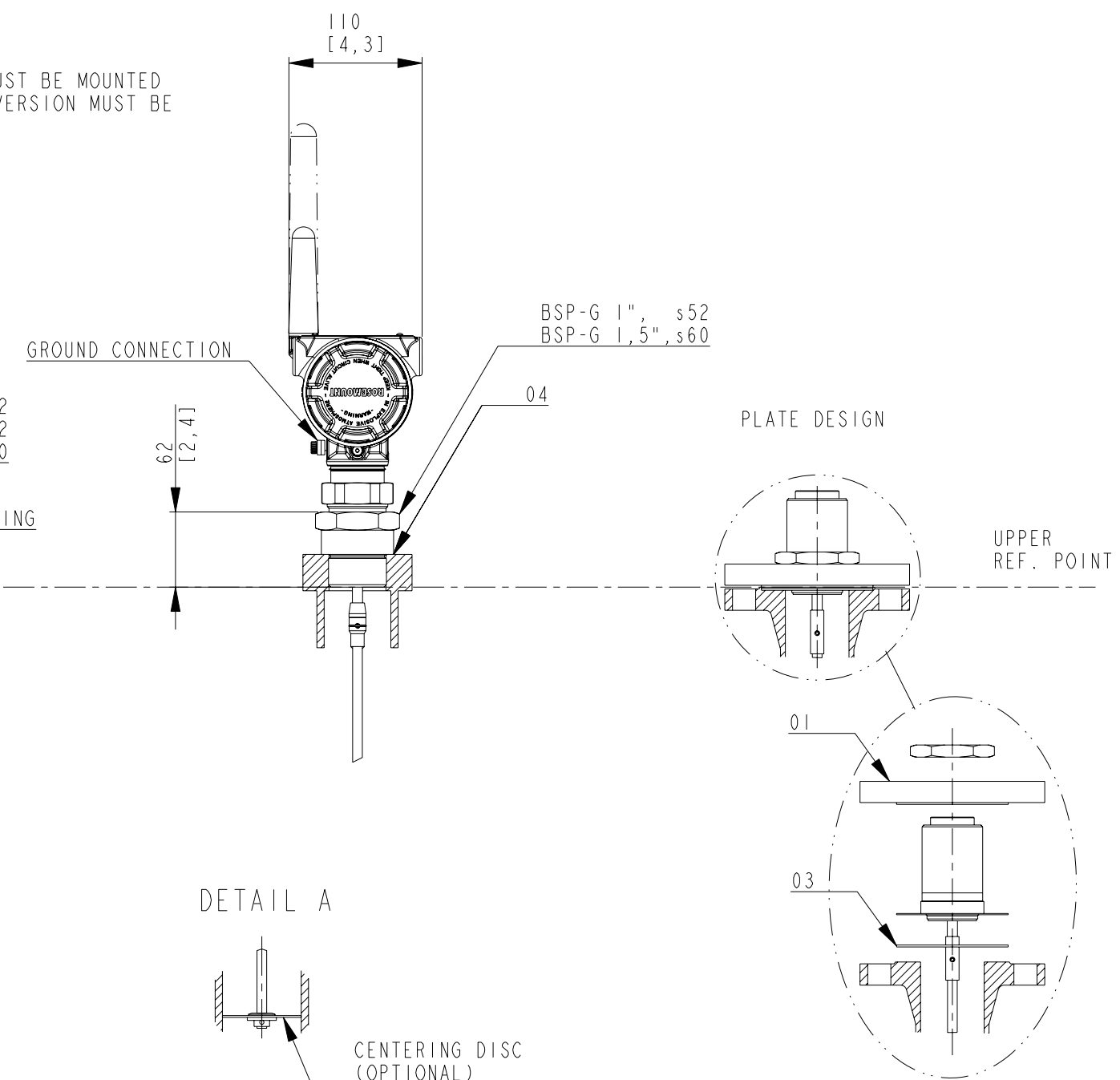
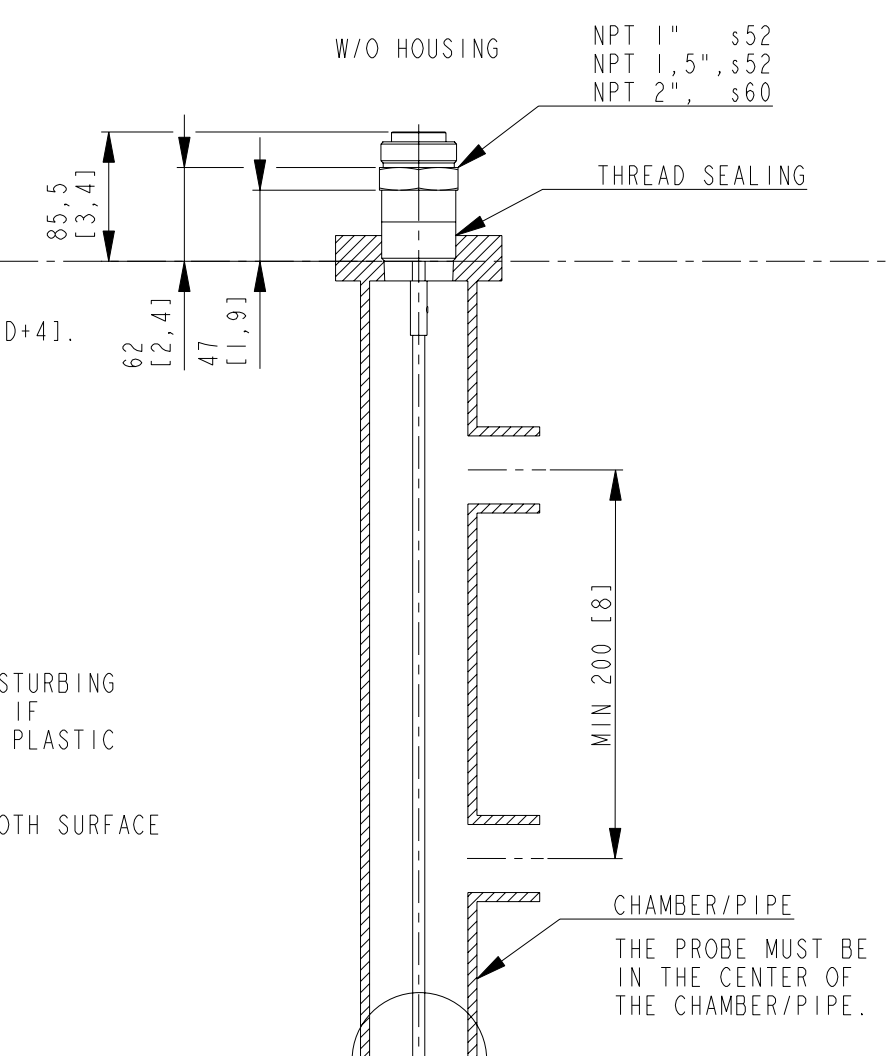


WHEN MOUNTING IN NON METALLIC VESSEL THE PROBE MUST BE MOUNTED WITH A METALLIC FLANGE >2"/DN50 OR THE THREADED VERSION MUST BE SCREWED IN TO A METAL SHEET >Ø200 [7.8].

AVOID DISTURBING EMC ENVIRONMENT. INSTALLATION IN METALLIC TANK IS RECOMMENDED.



DEPENDING ON TURBULENCE IN TANK AND MOUNTING ANGLE THE PROBE MAY NEED TO BE ANCHORED OR SUPPORTED.

ENSURE THAT THE PROBE HAS NO CONTACT TO NOZZLE/TANK WALL. MIN DISTANCE 15 [0.6].

1. P/T-RATING FOR FLANGE; SEE REF. MANUAL.

POS	ITEM DESCRIPTION	QTY	REMARK	SUPPLIER
04	GASKET	1	ACC. TO BSP-G THREAD STD.	CUSTOMER
03	GASKET	1	SOFT GASKET T=MIN 1.6 (ASME B16.5/1a, EN1514-1/1BC). SEE NOTE 1.	CUSTOMER
02	SCREW/NUT/WASHER	-	ACC. TO FLANGE STD, SEE NOTE 1.	CUSTOMER
01	FLANGE	1	DIM. ACC. TO ASME B 16.5/EN 1092-1. OTHER ON REQUEST. P/T RATING, SEE NOTE 1.	RMT

ISSUED BY EMe-HS-C	DRAWN WEEK 1243	PRODUCT CODE 3308	ROSEMOUNT® GAMELESTADSVÄGEN 18 B, S-402 51 GOTHENBURG, SWEDEN.
APPROVED BY EMe-BH	APP'D WEEK 1313	DOCUMENT TYPE 2	
ORIGINAL DRAWING NO. D7000001-389	SIZE A3	1 ST ANGLE 	SCALE 1:5
CAD MAINTAINED, (PRO/E)		DO NOT SCALE PRINT	
THE COPYRIGHT/OWNERSHIP OF THIS DOCUMENT IS AND WILL REMAIN OURS. THE DOCUMENT MUST NOT BE USED WITHOUT AUTHORIZATION OR BROUGHT TO THE KNOWLEDGE OF A THIRD PARTY. CONTRAVENTION WILL BE PROSECUTED. ROSEMOUNT TANK RADAR AB, SWEDEN.			
DRAWING NO. D7000001-389			ISSUE SHEET 01 / 11

FOR MORE INFO, SEE REFERENCE MANUAL.

2013-05-06 Electronic Master - PRINTED COPIES ARE UNCONTROLLED - Rosemount Propriety