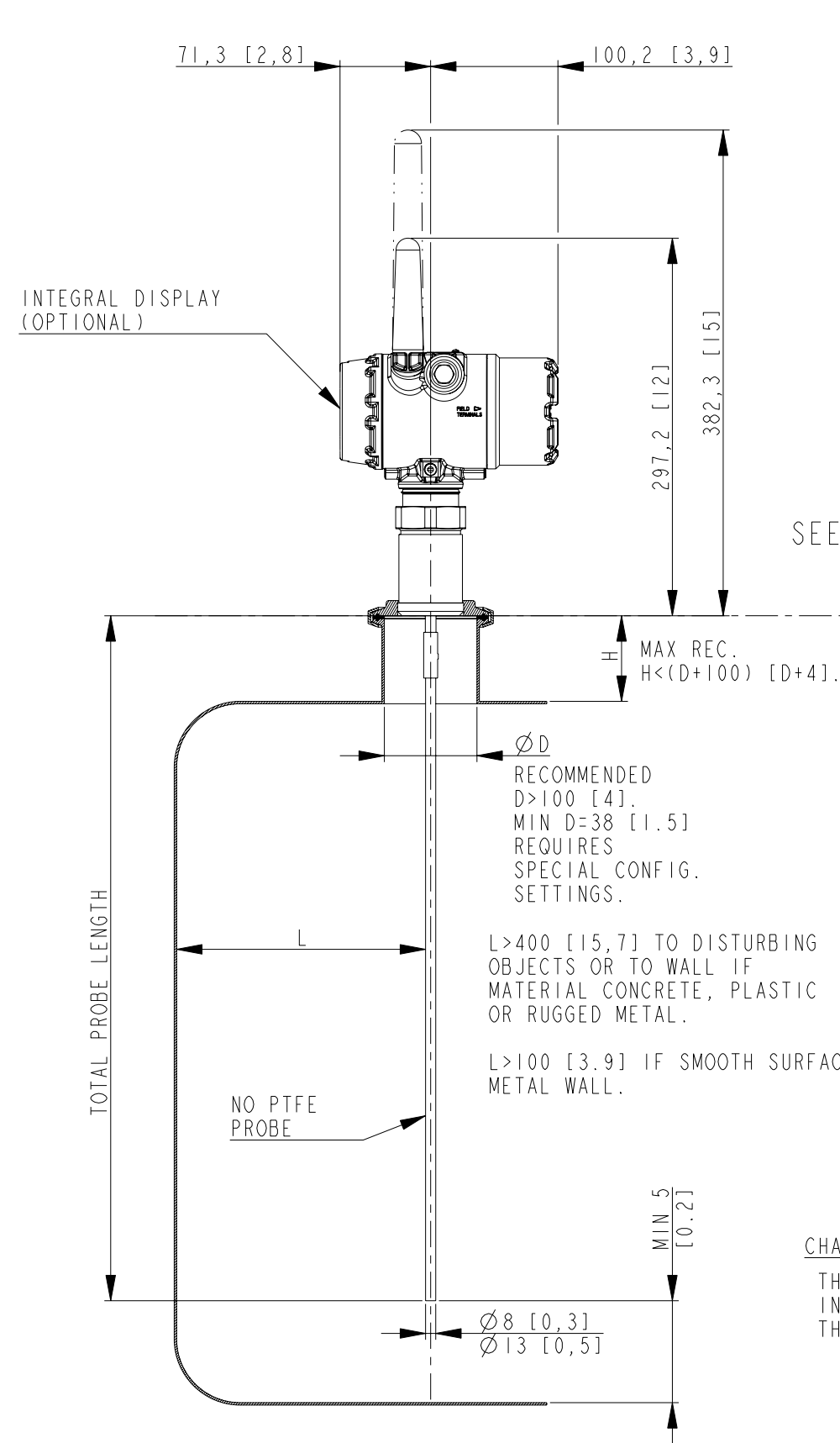
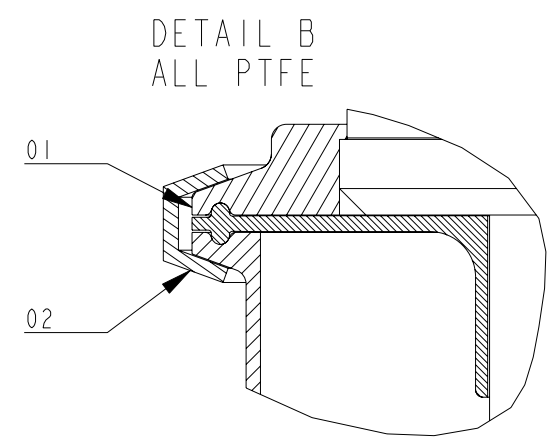
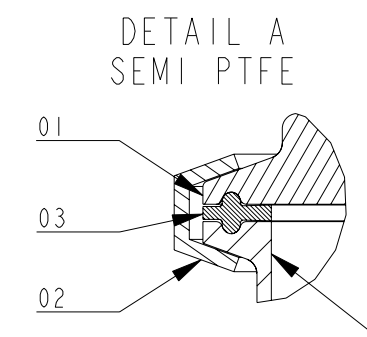
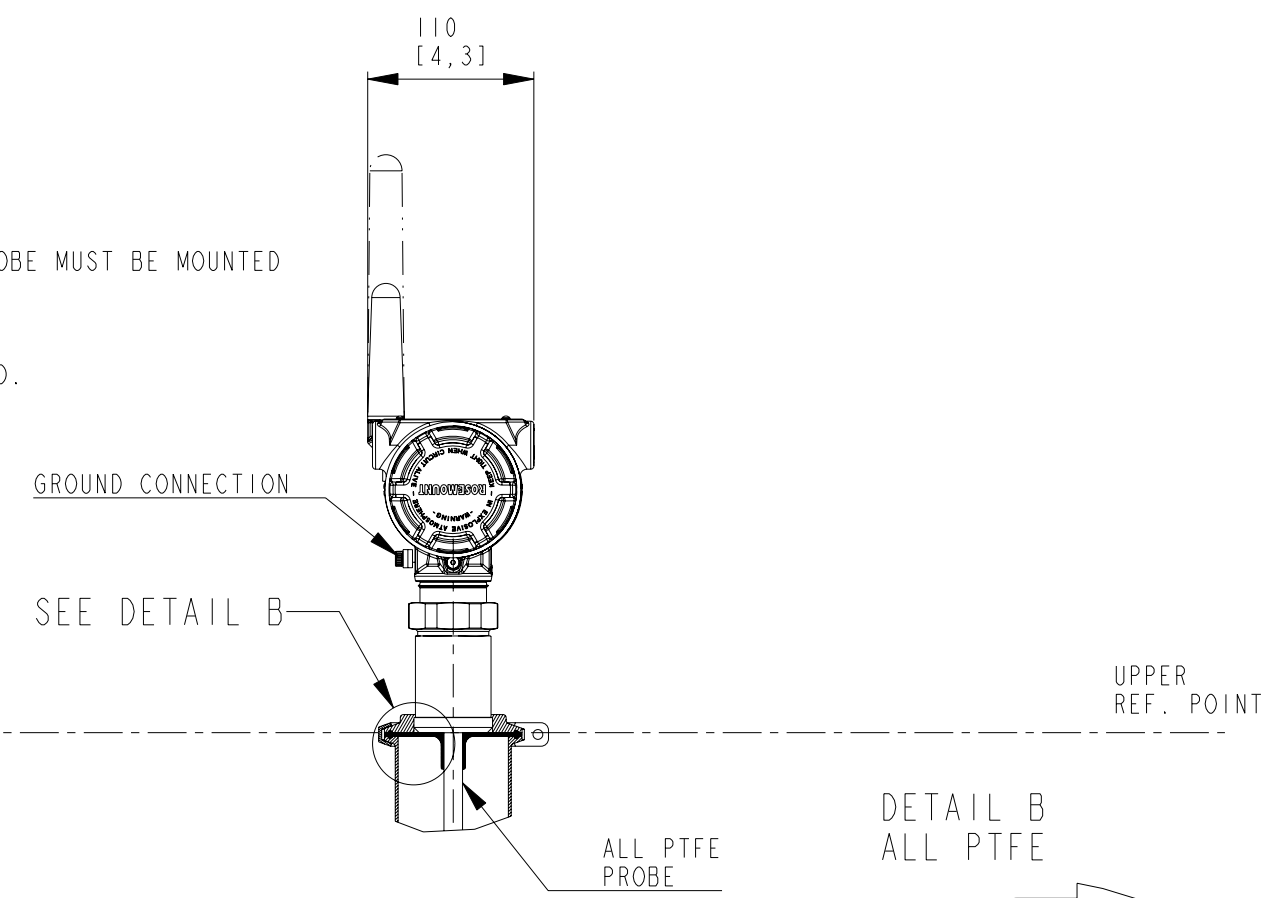
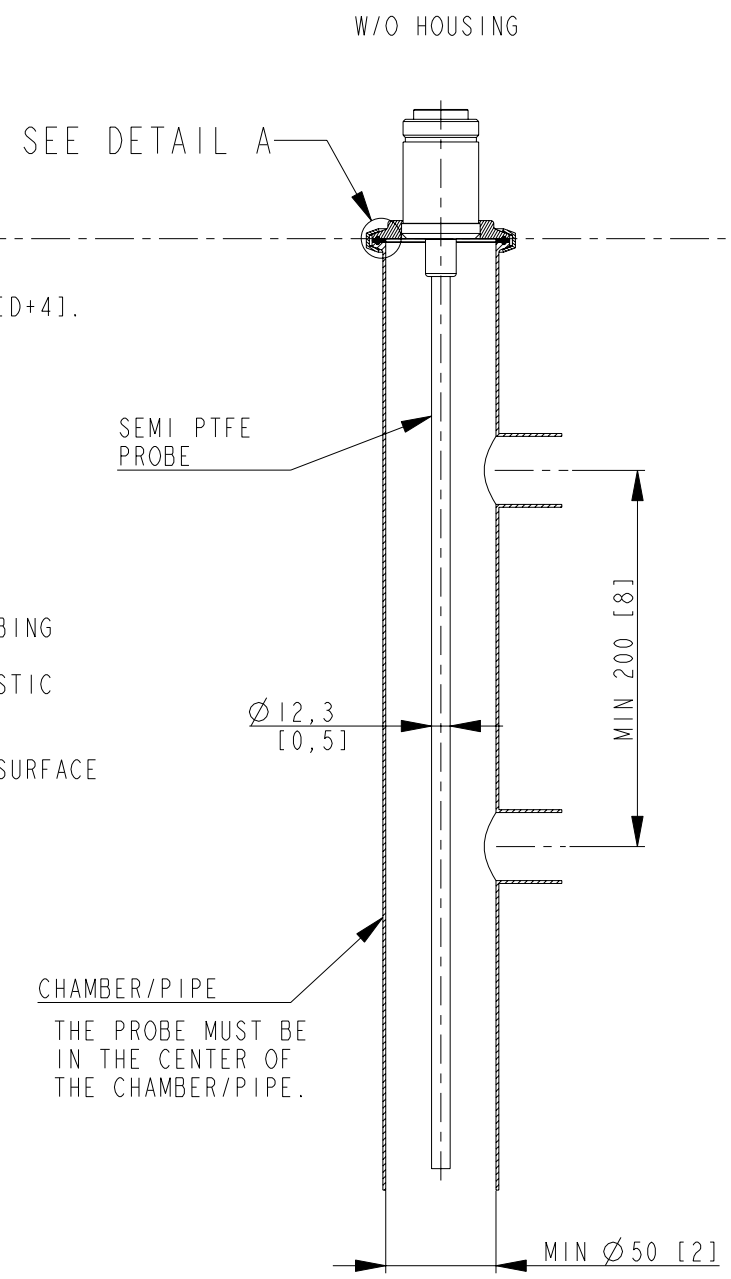


2013-05-06 Electronic Master - PRINTED COPIES ARE UNCONTROLLED - Rosemount Propriety



WHEN MOUNTING IN NON METALLIC VESSEL THE PROBE MUST BE MOUNTED WITH A METALLIC MATING CONNECTION.

AVOID DISTURBING EMC ENVIRONMENT. INSTALLATION IN METALLIC TANK IS RECOMMENDED.



DEPENDING ON TURBULENCE IN TANK AND MOUNTING ANGLE THE PROBE MAY NEED TO BE ANCHORED OR SUPPORTED.

ENSURE THAT THE PROBE HAS NO CONTACT TO NOZZLE/TANK WALL.

1. P/T-RATING FOR FLANGE; SEE REF. MANUAL.

POS	ITEM DESCRIPTION	QTY	REMARK	SUPPLIER
03	GASKET	1	SOFT GASKET ACC. TO ISO 2852. INCLUDED IF PROBE ALL PTFE.	CUSTOMER
02	CLAMP	1	ACC. TO ISO 2852.	CUSTOMER
01	FLANGE	1	DIM. ACC. TO ISO 2852. P/T RATING SEE NOTE 1.	RMT

FOR MORE INFO, SEE REFERENCE MANUAL.

ISSUED BY EMe-HS-C	DRAWN WEEK 1243	PRODUCT CODE 3308	ROSEMOUNT® <small>GAMLESTADSVÄGEN 18 B, S-402 51 GOTHENBURG, SWEDEN.</small>
APPROVED BY EMe-BH	APP'D WEEK 1313	DOCUMENT TYPE 2	
ORIGINAL DRAWING NO. D7000001-392	SIZE A3	1 ST ANGLE 	SCALE 1:5
CAD MAINTAINED, (PRO/E)		DO NOT SCALE PRINT	
<small>THE COPYRIGHT/OWNERSHIP OF THIS DOCUMENT IS AND WILL REMAIN OURS. THE DOCUMENT MUST NOT BE USED WITHOUT AUTHORIZATION OR BROUGHT TO THE KNOWLEDGE OF A THIRD PARTY. CONTRAVENTION WILL BE PROSECUTED. ROSEMOUNT TANK RADAR AB, SWEDEN.</small>			
DRAWING NO. D7000001-392			ISSUE SHEET 01 / 11