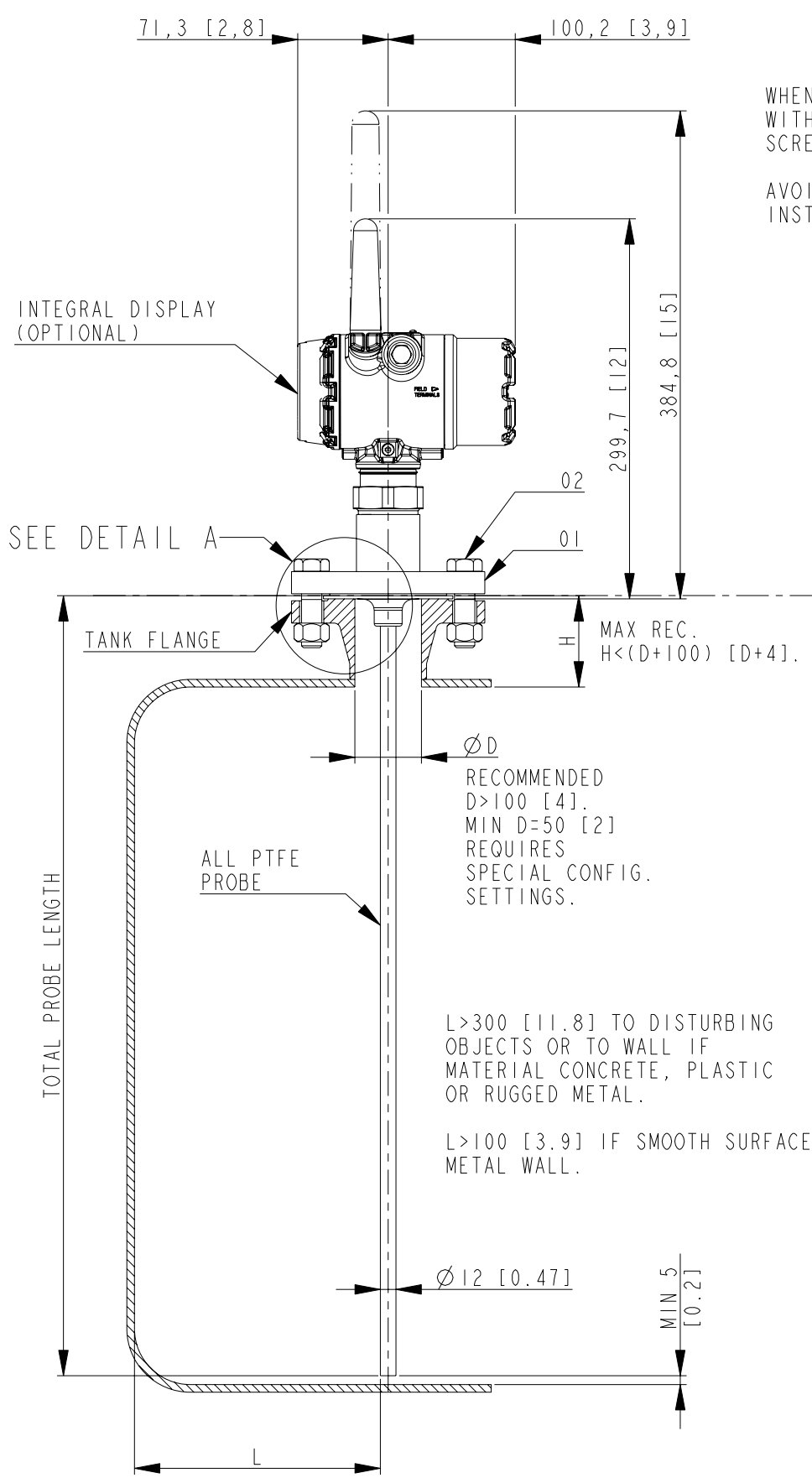
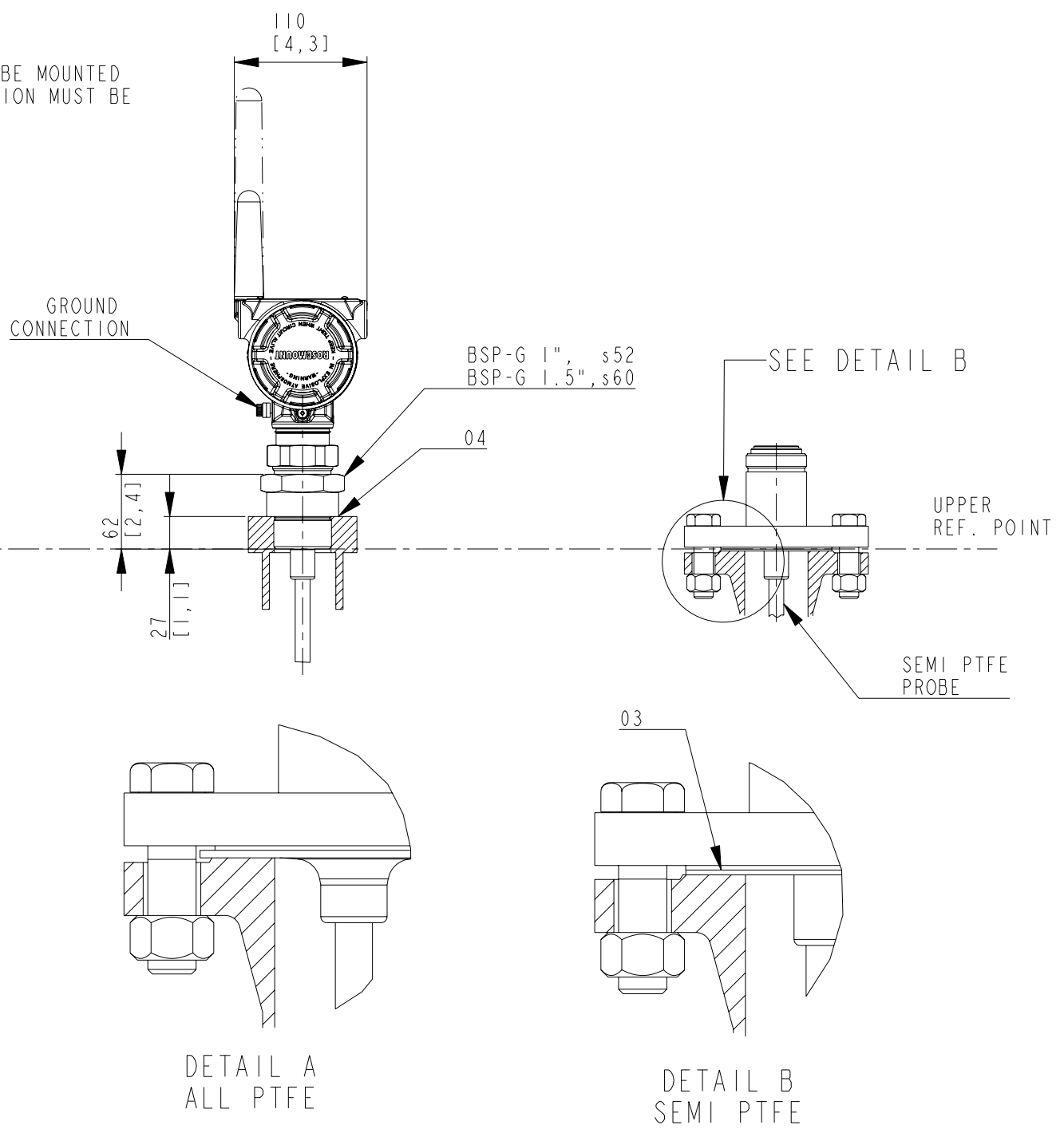
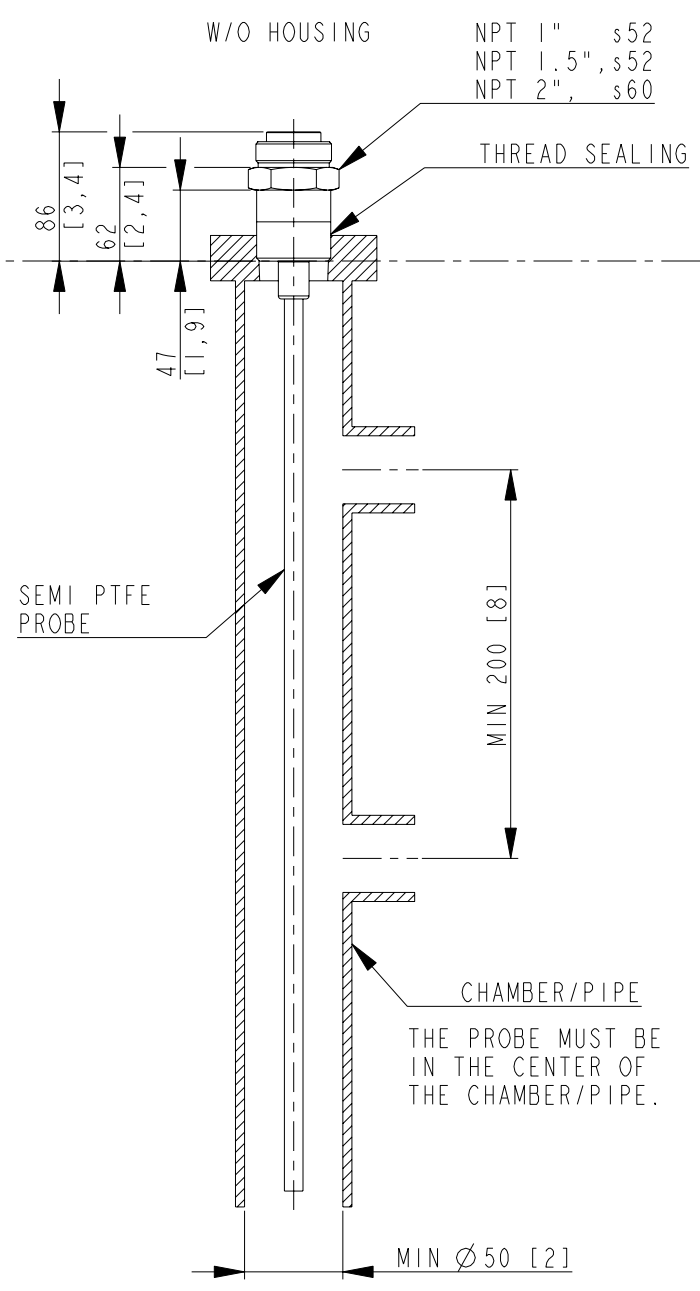


2013-05-06 Electronic Master - PRINTED COPIES ARE UNCONTROLLED - Rosemount Proprietary



WHEN MOUNTING IN NON METALLIC VESSEL THE PROBE MUST BE MOUNTED WITH A METALLIC FLANGE  $>2''/DN50$  OR THE THREADED VERSION MUST BE SCREWED IN TO A METAL SHEET  $>\phi 200$  [7.8].

AVOID DISTURBING EMC ENVIRONMENT. INSTALLATION IN METALLIC TANK IS RECOMMENDED.



ENSURE THAT THE PROBE HAS NO CONTACT TO NOZZLE/TANK WALL.

FOR MORE INFO, SEE REFERENCE MANUAL

1. P/T-RATING FOR FLANGE; SEE REF. MANUAL.

POS	ITEM DESCRIPTION	QTY	REMARK	SUPPLIER
04	GASKET	1	ACC. TO BSP-G THREAD STD.	CUSTOMER
03	GASKET	1	SOFT GASKET T=MIN 1.6 (ASME B16.5/1a, EN1514-1/1BC). SEE NOTE 1.	CUSTOMER
02	SCREW/NUT/WASHER	-	ACC. TO FLANGE STD, SEE NOTE 1.	CUSTOMER
01	FLANGE	1	DIM. ACC. TO ASME B16.5/EN 1092-1. OTHER ON REQUEST. P/T RATING, SEE NOTE 1.	RMT

ISSUED BY EMe-HS-C	DRAWN WEEK 1243	PRODUCT CODE 3308	<b>ROSEMOUNT®</b> <small>GAMLESTADSVÄGEN 18 B, S-402 51 GOTHENBURG, SWEDEN.</small>
APPROVED BY EMe-BH	APP'D WEEK 1313	DOCUMENT TYPE 2	
ORIGINAL DRAWING NO. D7000001-394	SIZE A3	1 ST ANGLE 	SCALE 1:5
CAD MAINTAINED, (PRO/E)		DO NOT SCALE PRINT	
<small>THE COPYRIGHT/OWNERSHIP OF THIS DOCUMENT IS AND WILL REMAIN OURS. THE DOCUMENT MUST NOT BE USED WITHOUT AUTHORIZATION OR BROUGHT TO THE KNOWLEDGE OF A THIRD PARTY. CONTRAVENTION WILL BE PROSECUTED. ROSEMOUNT TANK RADAR AB, SWEDEN.</small>			
DRAWING NO. D7000001-394			ISSUE SHEET 01 / 11