

## Rosemount 1495 Orifice Plate



Standard configuration is with a square-edged concentric bore in both paddle and universal type plates. Also available with a spiral finish. Final inspection reports illustrating plate thickness, concentricity, outside dimensions, inside dimensions, roundness, and flatness are available.

- Bore calculations are available if the Configuration Data Sheet (CDS) is completed and Option BC is selected.

### Ordering information

**Table 1. Rosemount 1495 Orifice Plate Ordering Information**

★ The Standard offering represents the most common options. The starred options (★) should be selected for best delivery.

The Expanded offering is subject to additional delivery lead time.

Model	Product description	
1495	Orifice Plate Primary	
<b>Orifice plate type</b>		
PC	Paddle, Concentric with better than 50 Ra (1.25 μm) finish	★
PG	Paddle, concentric, with 125-250 Ra (3.2-3.6 μm) surface finish for use with spiral wound gaskets	★
UC	Universal, Concentric	★
<b>Line size</b>		
020	2 in. (DN50)	★
025	2 <sup>1</sup> / <sub>2</sub> in. (DN65)	★
030	3 in. (DN80)	★
040	4 in. (DN100)	★
060	6 in. (DN150)	★
080	8 in. (DN200)	★
100	10 in. (DN250)	★
120	12 in. (DN300)	★
140	14 in. (DN350)	★
160	16 in. (DN400)	★
180	18 in. (DN450)	★
200	20 in. (DN500)	★
240	24 in. (DN600)	★
<b>Flange rating</b>		
A1	Flange ANSI Class 150 Raised Face. Not typical for ASME B16.36 flange tapped flanges.	★
A3	ANSI Class 300 Raised Face	★
A6	ANSI Class 600 Raised Face	★
A9	ANSI Class 900 Raised Face	★
AF	ANSI Class 1500 Raised Face	★
AT <sup>(1)</sup>	ANSI Class 2500 Raised Face	★
D1	DIN PN10	★
D2	DIN PN16	★
D3	DIN PN25	★
D4	DIN PN40	★

**Table 1. Rosemount 1495 Orifice Plate Ordering Information**

★ The Standard offering represents the most common options. The starred options (★) should be selected for best delivery.

The Expanded offering is subject to additional delivery lead time.

D5 <sup>(2)</sup>	DIN PN63	★
D6	DIN PN100	★
<b>Flange rating</b>		
R3	Flange ANSI Class 300 Ring Joint	
R6	Flange ANSI Class 600 Ring Joint	
R9	Flange ANSI Class 900 Ring Joint	
RF	Flange ANSI Class 1500 Ring Joint	
RT	Flange ANSI Class 2500 Ring Joint	
<b>Orifice plate material type</b>		
S	316/316L Stainless Steel	★
T	DIN 1.4571 (316Ti Stainless Steel)	★
L	304/304L Stainless Steel	★
H	Alloy C-276	
M	Alloy 400	
<b>Plate thickness</b>		
A	0.125-in. (3.2 mm) – default for line size 2 to 6-in. (50 to 150 mm)	★
B	0.250-in. (6.35 mm) – default for line size 8 to 14-in. (200 to 350 mm)	★
C	0.375 in. (9.53 mm) - default for line size 16 to 20-in. (400 to 500 mm)	★
D	0.500-in. (12.7 mm) – default for line size 24-in. (600 mm)	★
E <sup>(3)</sup>	Plate Thickness per DIN 19206	★
<b>Bore</b>		
XXXXX	Bore (XXXXX = XX.XXX)	★

#### Options (include with selected model number)

<b>Extended product warranty</b>		
WR3	3-year limited warranty	★
WR5	5-year limited warranty	★
<b>Bore calculation</b>		
BC	Bore Calculation	★
<b>Drain/vent hole</b>		
DV <sup>(4)</sup>	Drain / Vent Hole	★
<b>Plate holder</b>		
PH <sup>(5)</sup>	Plate Holder for RTJ Flanges	★
<b>Alternate bore type</b>		
TC	Conical Entrance Bore	★
TE <sup>(4)</sup>	Eccentric Bore	★
TS <sup>(4)</sup>	Segmental Bore	★
TQ	Quadrant Edged Bore	★
RO <sup>(6)</sup>	Restriction Orifice Plate	★

**Table 1. Rosemount 1495 Orifice Plate Ordering Information**

★ The Standard offering represents the most common options. The starred options (★) should be selected for best delivery.

The Expanded offering is subject to additional delivery lead time.

<b>Alternate pipe schedule<sup>(7)</sup></b>		
FA	Schedule 5S	★
FB	Schedule 10	★
FC	Schedule 10S	★
FD	Schedule 20	★
FE	Schedule 30	★
FF	Schedule 40	★
FG	Schedule 40S	★
FH	Schedule Standard (STD)	★
FI	Schedule 60	★
FJ	Schedule 80	★
FK	Schedule 80S	★
FL	Schedule Extra Strong (XS)	★
FM	Schedule 100	★
FN	Schedule 120	★
FP	Schedule 140	★
FQ	Schedule 160	★
FR	Schedule Double Extra Strong (XXS)	★
<b>Special cleaning</b>		
P2	Cleaning for Special Services	
<b>Special inspection</b>		
QC1	Visual & dimensional inspection with certificate	★
QC7	Inspection & performance certificate	★
<b>Material traceability certification</b>		
Q8	Material Traceability Certificate per and EN 10204:2004 3.1	★
<b>Code conformance</b>		
J5 <sup>(8)</sup>	NACE MR-0175/ISO 15156	
<b>Country certification</b>		
J1	Canadian Registration	
<b>Typical model number: 1495 PC 040 A3 SA 02125</b>		

(1) Available in line sizes from 2-12 in.

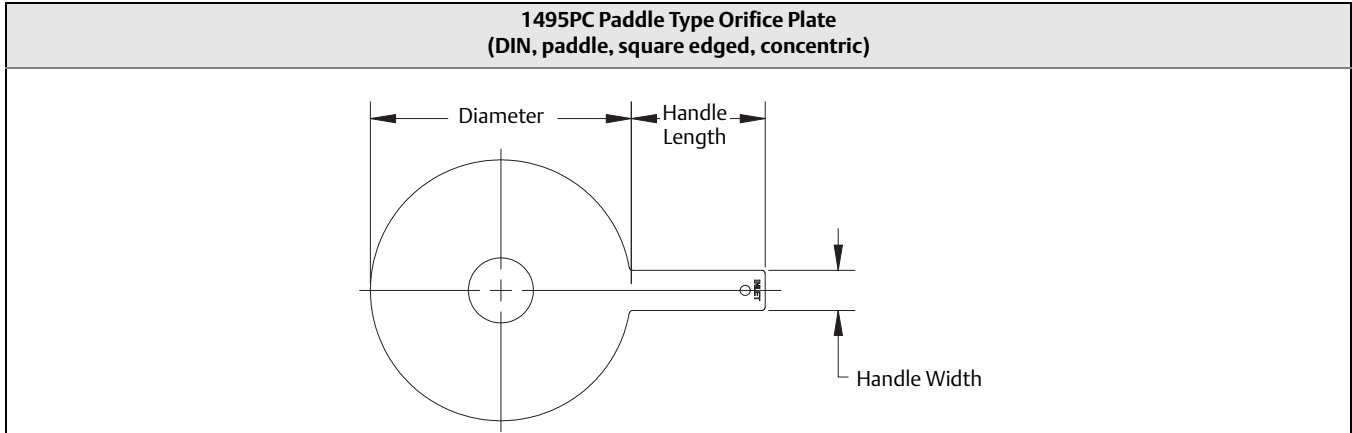
(2) Previously PN64.

(3) Standard Plate Thickness:  
 DN50 - 65 = 3 mm  
 DN80 - 450 = 4 mm  
 DN500 - 600 = 6 mm

(4) This option requires pipe I.D. to be specified. Please select alternate pipe schedule option or specify on order.

- (5) 3-in. line sizes and below use an integral plate holder. Line sizes 4-in. and above use a screw type plate holder. The plate holder material matches the plate material.
- (6) A standard beveled orifice plate is provided with the "RO" Option Code.
- (7) These options should only be selected if options DV, TE, or TS are selected. These options are not available with flange rating D1-D6.
- (8) Materials of Construction comply with metallurgical requirements highlighted within NACE MR0175/ISO 15156 for sour oil field production environments. Environmental limits apply to certain materials. Consult latest standard for details. Selected materials also conform to NACE MR0103 for sour refining environments.

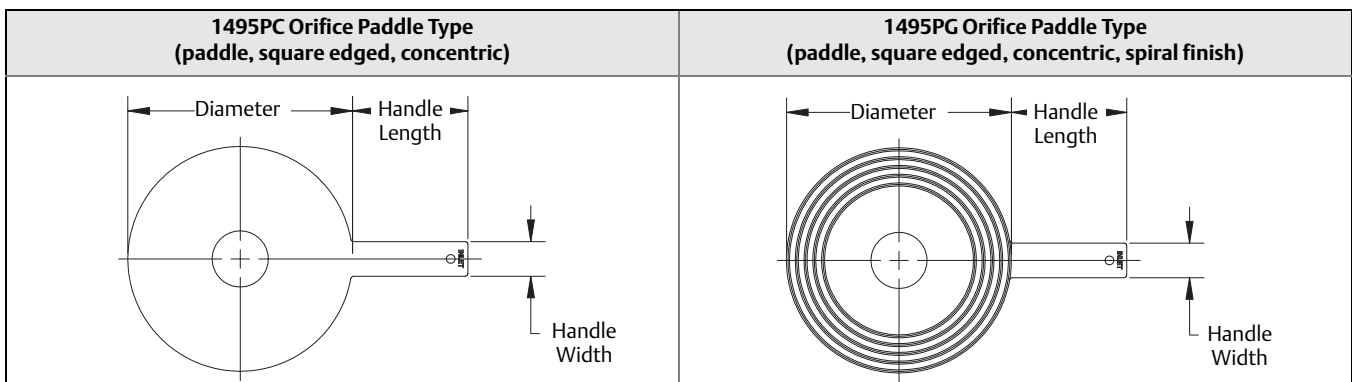
## 1495 dimensional drawings



**Table 39. 1495 Orifice Plate Dimensions**

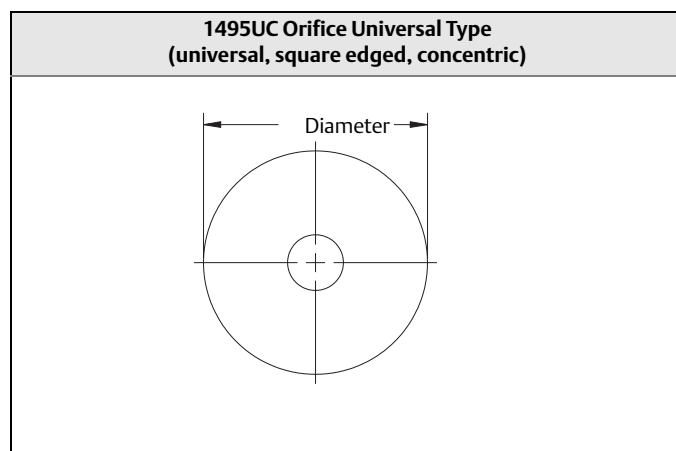
DN	Diameter (max) – by flange rating						Handle width	Handle length
	PN 10	PN 16	PN 25	PN 40	PN 63/64	PN 100		
DN 50	4.21 (107)	4.21 (107)	4.21 (107)	4.21 (107)	4.45 (113)	4.69 (119)	1.5 (40)	6.3 (160)
DN 65	5 (127)	5 (127)	5 (127)	5 (127)	5.43 (138)	5.67 (144)	1.5 (40)	6.3 (160)
DN 80	5.6 (142)	5.6 (142)	5.6 (142)	5.6 (142)	5.82 (148)	6.06 (154)	1.5 (40)	6.3 (160)
DN 100	6.38 (162)	6.38 (162)	6.61 (168)	6.61 (168)	6.85 (174)	7.09 (180)	1.5 (40)	6.3 (160)
DN 125	7.56 (192)	7.56 (192)	7.64 (194)	7.63 (194)	8.27 (210)	8.54 (217)	1.5 (40)	6.3 (160)
DN 150	8.58 (218)	8.58 (218)	8.82 (224)	8.82 (224)	9.72 (247)	10.12 (257)	1.5 (40)	6.3 (160)
DN 200	10.74 (273)	10.74 (273)	11.18 (284)	11.42 (290)	12.17 (309)	12.76 (324)	1.5 (40)	6.3 (160)
DN 250	12.91 (328)	12.95 (329)	13.39 (340)	13.86 (352)	14.33 (364)	15.39 (391)	1.5 (40)	6.3 (160)
DN 300	14.88 (378)	15.11 (384)	15.75 (400)	16.42 (417)	16.69 (424)	18.03 (458)	1.5 (40)	6.3 (160)
DN 350	17.24 (438)	17.48 (444)	17.99 (457)	18.66 (474)	19.13 (486)	20.16 (512)	1.5 (40)	6.3 (160)
DN 400	19.25 (489)	19.49 (495)	20.24 (514)	21.49 (546)	21.38 (543)	22.52 (572)	1.5 (40)	6.3 (160)
DN 450	21.22 (539)	21.85 (555)	22.24 (565)	22.48 (571)	N/A	N/A	1.5 (40)	6.3 (160)
DN 500	23.39 (594)	24.29 (617)	24.57 (624)	24.72 (628)	25.87 (657)	27.72 (704)	1.5 (40)	8.0 (200)
DN 600	27.36 (695)	28.9 (734)	28.78 (731)	29.41 (747)	30.08 (764)	32.01 (813)	1.5 (40)	8.0 (200)

Measurement is in inches (millimeters).



Line size	Diameter for paddle type						Handle length	Handle width
	150#	300#	600#	900#	1500#	2500#		
2-in.	4.125 (104.78)	4.375 (111.13)	4.375 (111.13)	5.625 (142.875)	5.625 (142.875)	5.750 (146.05)	4.0 (101.6)	1.00 (25.4)
2 <sup>1</sup> / <sub>2</sub> -in.	4.875 (123.82)	5.125 (130.18)	5.125 (130.18)	6.500 (165.1)	6.500 (165.1)	6.625 (168.275)	4.0 (101.6)	1.00 (25.4)
3-in.	5.375 (136.53)	5.875 (149.23)	5.875 (149.23)	6.625 (168.275)	6.875 (174.625)	7.750 (196.85)	4.0 (101.6)	1.00 (25.4)
4-in.	6.875 (174.63)	7.125 (180.98)	7.625 (193.675)	8.125 (206.375)	8.250 (209.55)	9.250 (234.95)	4.0 (101.6)	1.00 (25.4)
6-in.	8.750 (222.25)	9.875 (250.83)	10.500 (266.7)	11.375 (288.925)	11.125 (282.575)	12.500 (317.5)	4.0 (101.6)	1.00 (25.4)
8-in.	11.000 (279.4)	12.125 (307.98)	12.625 (320.675)	14.125 (358.775)	13.875 (352.425)	15.250 (387.35)	6.0 (127)	1.5 (38.1)
10-in.	13.375 (339.73)	14.250 (361.95)	15.750 (400.05)	17.125 (434.975)	17.125 (434.975)	18.750 (476.25)	6.0 (152.4)	1.5 (38.1)
12-in.	16.125 (409.58)	16.625 (422.26)	18.000 (457.2)	19.625 (498.475)	20.500 (520.7)	21.625 (549.275)	6.0 (152.4)	1.5 (38.1)
14-in.	17.750 (450.85)	19.125 (485.78)	19.375 (339.725)	20.500 (520.7)	22.750 (577.85)	N/A	6.0 (152.4)	1.5 (38.1)
16-in.	20.250 (514.35)	21.250 (539.75)	22.250 (565.15)	22.625 (574.675)	25.250 (641.35)	N/A	6.0 (152.4)	1.5 (38.1)
18-in.	21.500 (546.1)	23.375 (593.725)	24.000 (609.6)	25.000 (635.00)	27.625 (701.675)	N/A	6.0 (152.4)	1.5 (38.1)
20-in.	23.750 (603.25)	25.625 (650.875)	26.750 (679.45)	27.375 (695.325)	29.625 (752.475)	N/A	6.0 (152.4)	1.5 (38.1)
24-in.	28.125 (714.375)	30.375 (771.525)	31.000 (787.4)	32.875 (835.025)	35.500 (901.7)	N/A	6.0 (152.4)	1.5 (38.1)

Measurement is in inches (millimeters).



Line size	Diameter for universal type
2-in.	2.437 (61.8998)
2 <sup>1</sup> / <sub>2</sub> -in.	2.812 (71.4248)
3-in.	3.437 (87.2998)
4-in.	4.406 (111.912)
6-in.	6.437 (163.5)
8-in.	8.437 (214.3)
10-in.	10.687 (271.45)
12-in.	12.593 (319.862)
14-in.	14.000 (355.6)
16-in.	16.000 (406.4)
18-in.	18.000 (457.2)
20-in.	20.000 (508)
24-in.	24.000 (609.6)

Measurement is in inches (millimeters).