

ROSEMOUNT 214C TEMPERATURE SENSOR MOUNTING STYLES AND EXTENSIONS

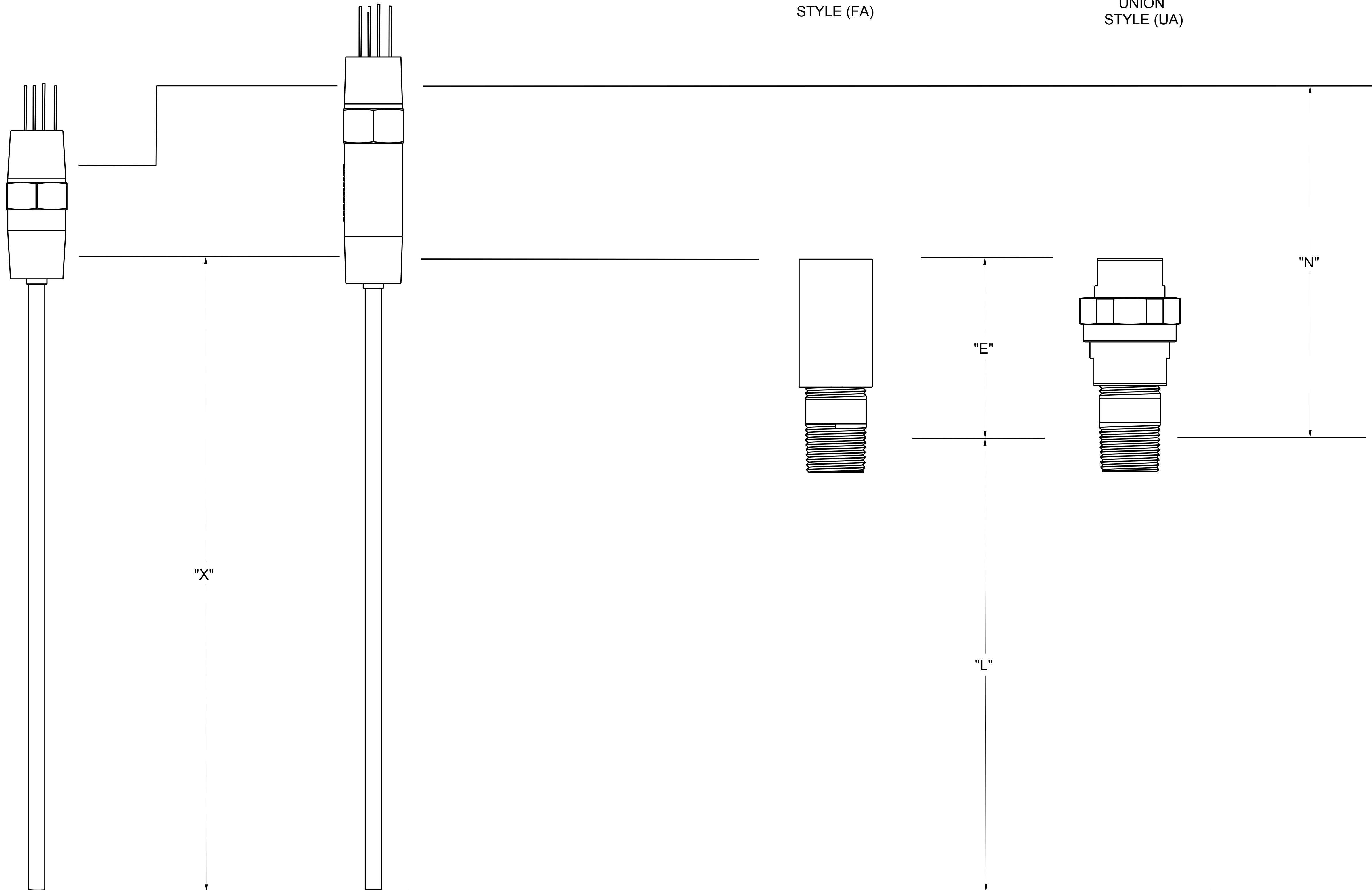
REVISION TABLE			
REVISION	ECO NO.	APP'D	DATE
AB	RTC1064509	O. GHAZI	12/02/15
DESCRIPTION			
UPDATE DIMENSIONS			

COMPACT SPRING LOADED STYLE (SC)

SPRING LOADED STYLE (SL)

FIXED STYLE (FA)

UNION STYLE (UA)



SCALE 5/4

SENSORS

ADAPTER LENGTH (WITH THREAD ENGAGEMENT)

SPRING LOADED: 2.32 (58.93)
COMPACT SPRING LOADED: 1.15 (29.21)

N = ADAPTER LENGTH + E

EQUATIONS WITH EXTENSION
 $X = E + L$

WITHOUT EXTENSION
 $X = L$

EXTENSIONS

- NOTES:
2. SPRING LOADED AND COMPACT SPRING LOADED SENSOR TYPE SHOWN .25 [6.35] COMPRESSED.
 1. .75 [19] CLEARANCE REQUIRED TO REMOVE COVERS.

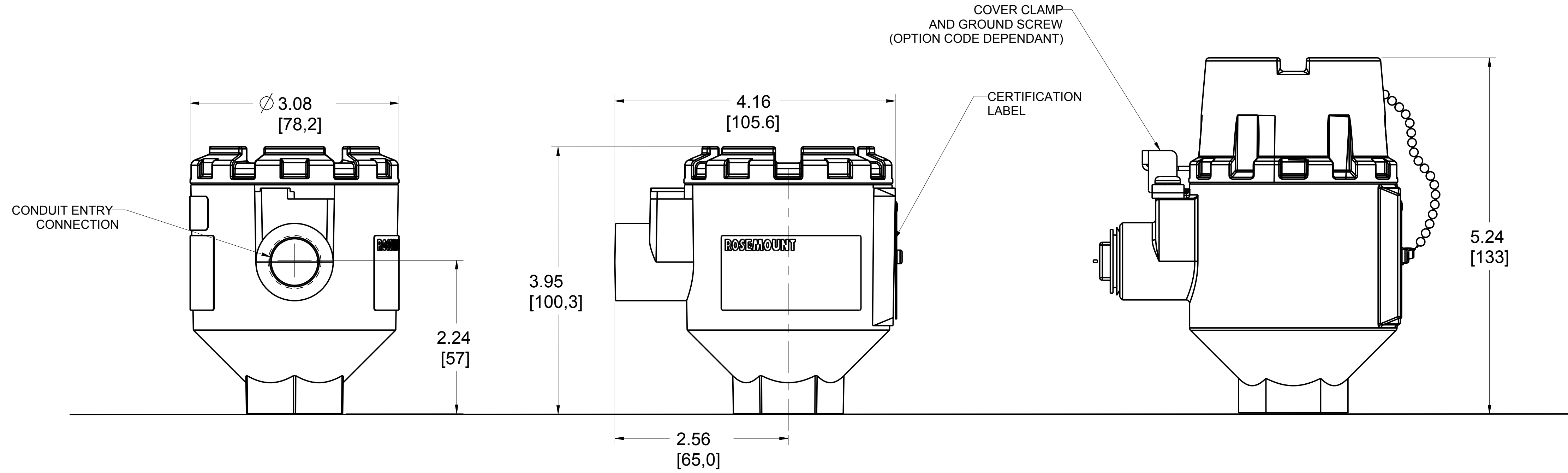
©2015 ROSEMOUNT INC.
 THESE DRAWINGS ARE IN ACCORDANCE WITH ROSEMOUNT ENGINEERING STANDARDS AND SPECIFICATIONS. ALL DIMENSIONS UNLESS OTHERWISE NOTED P.O. UNITS NOTES IN INCHES (mm).
 REFERENCE ROSEMOUNT PRODUCT DATA SHEETS FOR PRODUCT SPECIFICATIONS.
 CLICK HERE

		3RD ANGLE	SIZE D	SCALE NTS
TITLE ROSEMOUNT 214C TYPE I DRAWING				
DR. J. ARMSTRONG	6/25/15	DRAWING NO.		00214-7000
APP'D O. GHAZI	12/02/15			
CAD MAINTAINED, (PRO/E)				SHEET 1 OF 2

ROSEMOUNT 214C SENSOR CONNECTION HEADS

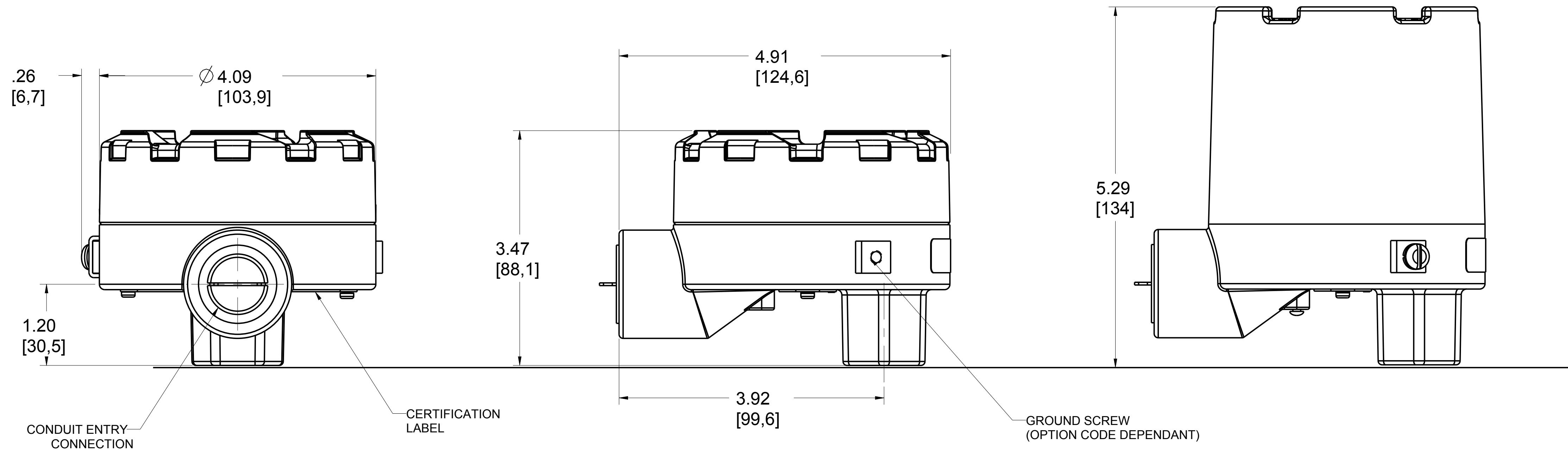
ROSEMOUNT ALUMINUM (AR1)
OR ROSEMOUNT SST (SR1)

ROSEMOUNT ALUMINUM WITH METER COVER (AR2)
OR SST ROSEMOUNT SST WITH METER COVER (SR2)



ALUMINUM CONNECTION
HEAD WITH TERMINAL STRIP (AT1)

ALUMINUM CONNECTION HEAD WITH
TERMINAL STRIP AND EXTENDED COVER (AT3)



©2016 ROSEMOUNT INC. THESE DRAWINGS ARE IN ACCORDANCE WITH ROSEMOUNT ENGINEERING SPECIFICATIONS. UNLESS OTHERWISE SPECIFIED, ALL DIMENSIONS REPRESENT THE EQUIPMENT AS FURNISHED AGAINST THE NOTED P.O. UNIT NOTES IN INCHES (mm).

REFER TO ROSEMOUNT PRODUCT DATA SHEETS FOR PRODUCT SPECIFICATIONS. CLICK HERE

3RD ANGLE	SIZE D	SCALE NTS
EMERSON Process Management		
TITLE ROSEMOUNT 214C TYPE I DRAWING		
DR. J. ARMSTRONG	6/25/15	DRAWING NO.
APPD O. GHAZI	12/02/15	00214-7000
CAD MAINTAINED, (PROE)		SHEET 2 OF 2