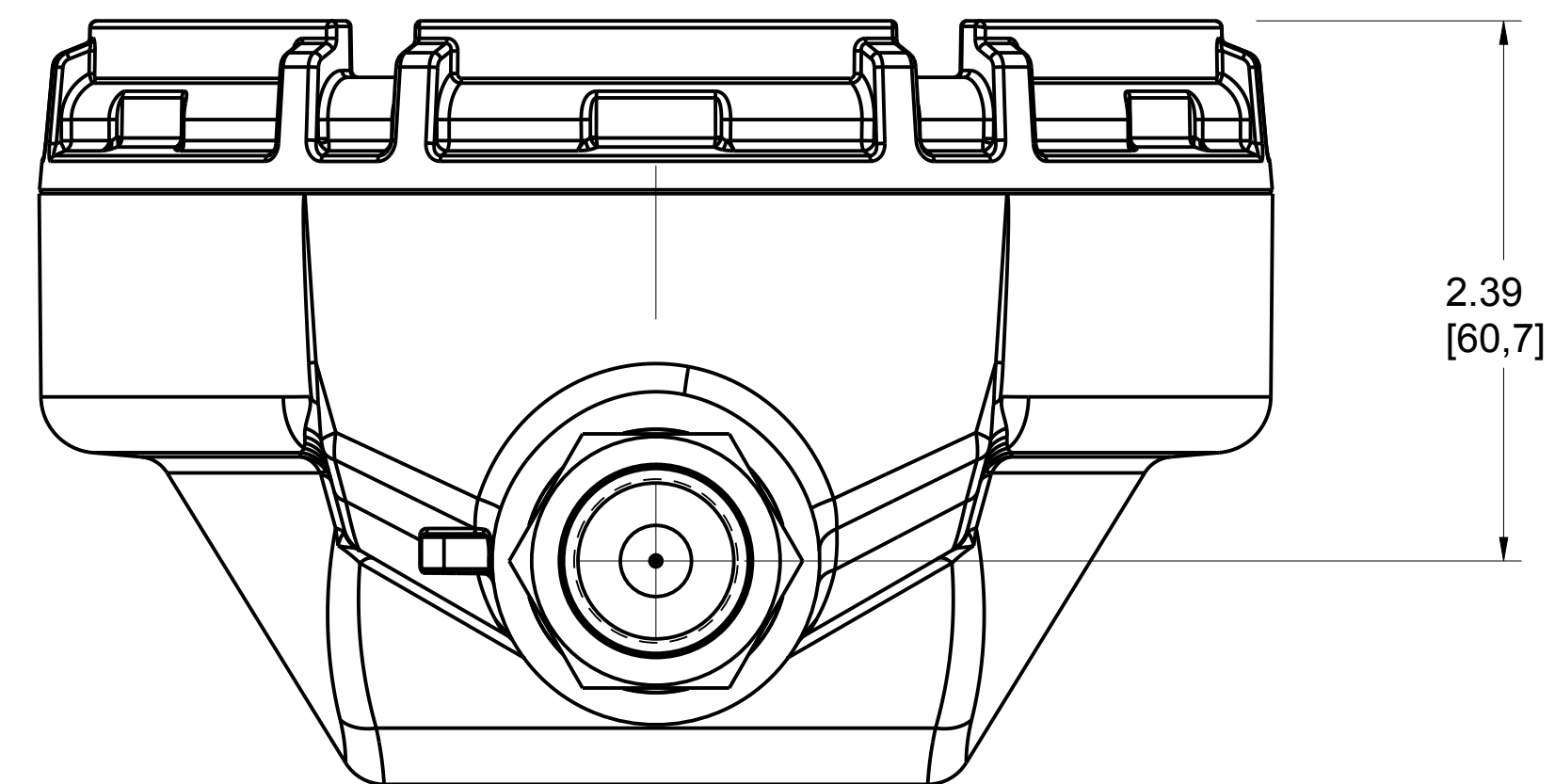
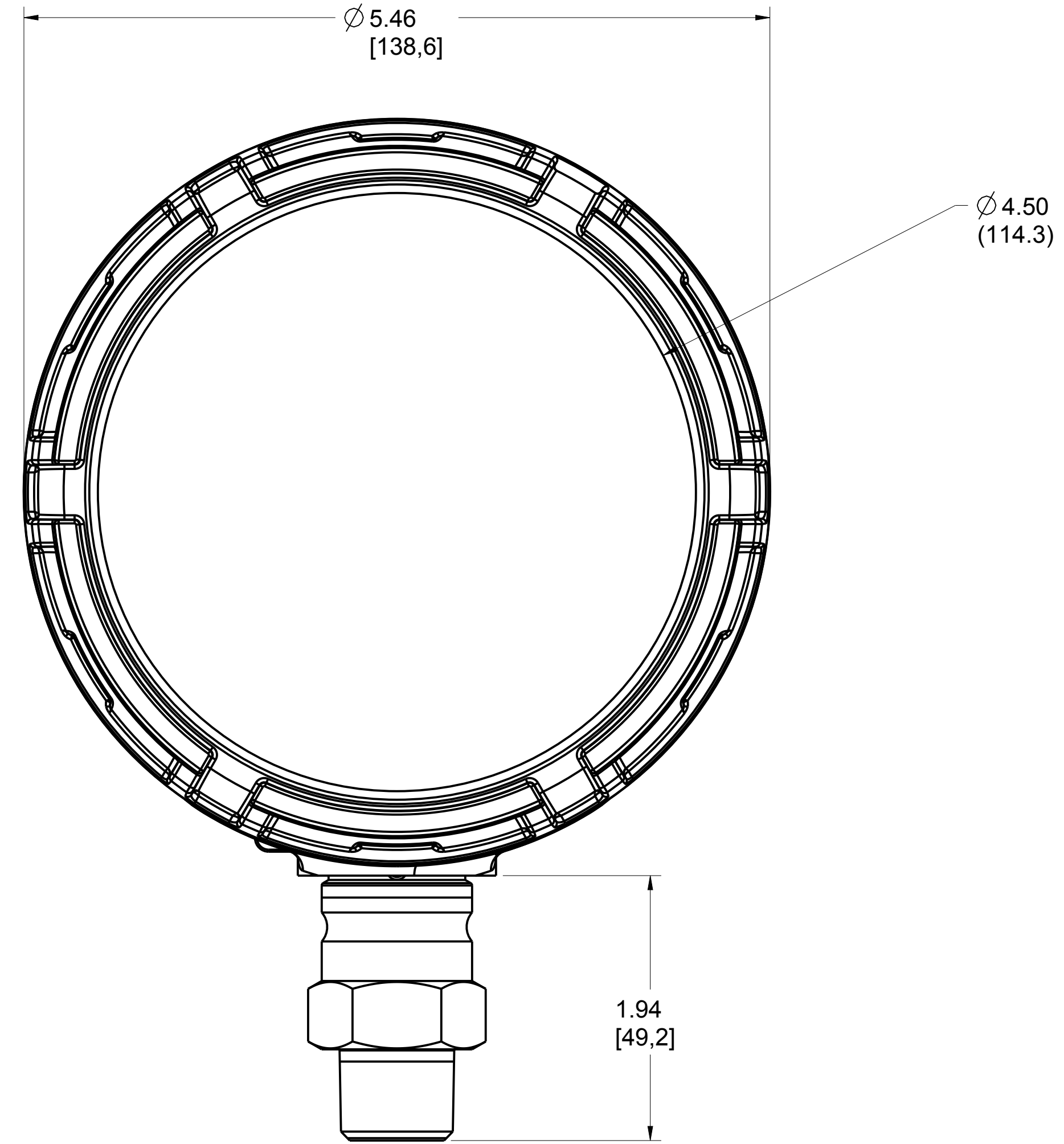
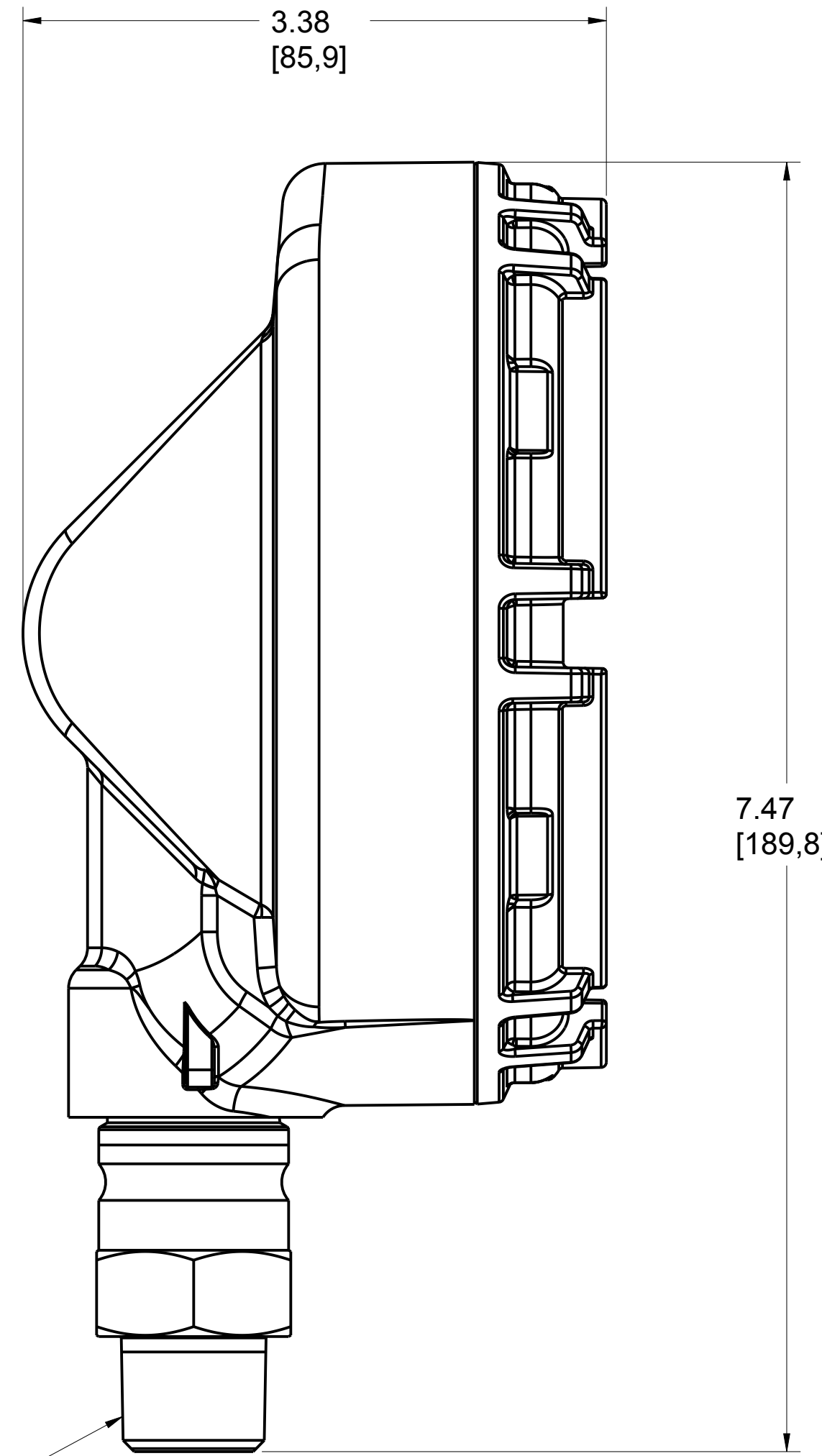


# ROSEMOUNT WPG WIRELESS PRESSURE GAUGE

REVISION TABLE			
REVISION	ECO NO.	APP'D	DATE
AB	RTC1065779	J. Vanderaa	5/27/16
DESCRIPTION			
Add mounting bracket option			



©2015 ROSEMOUNT INC.  
ROSEMOUNT INC. CERTIFIES  
THIS DRAWING TO BE IN  
ACCORDANCE WITH  
ROSEMOUNT ENGINEERING  
SPECIFICATIONS.  
UNIT NOTES IN INCHES (mm).  
REFERENCE ROSEMOUNT  
PRODUCT SPECIFICATIONS.  
CLICK HERE

3RD ANGLE

EMERSON  
Process Management

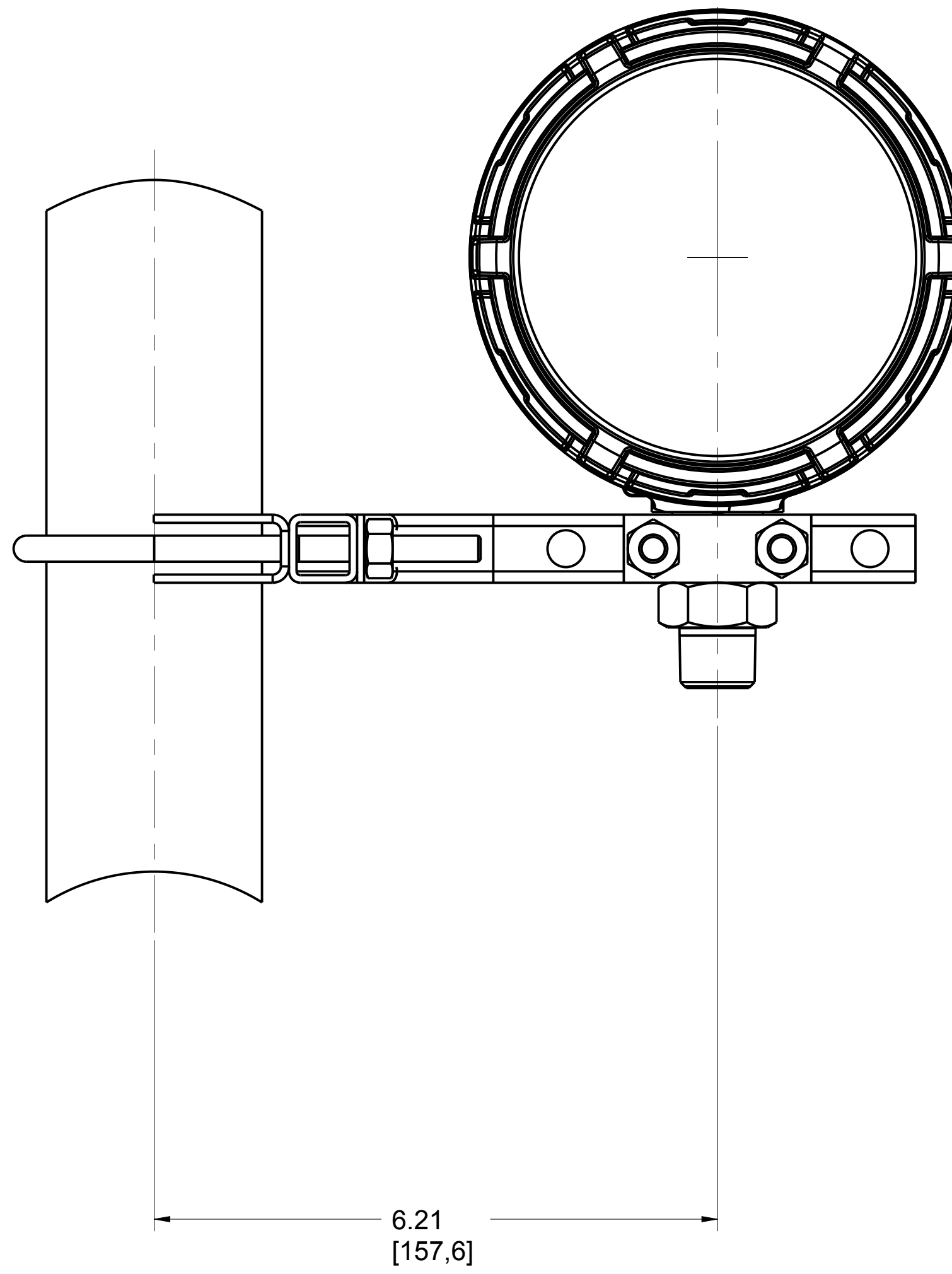
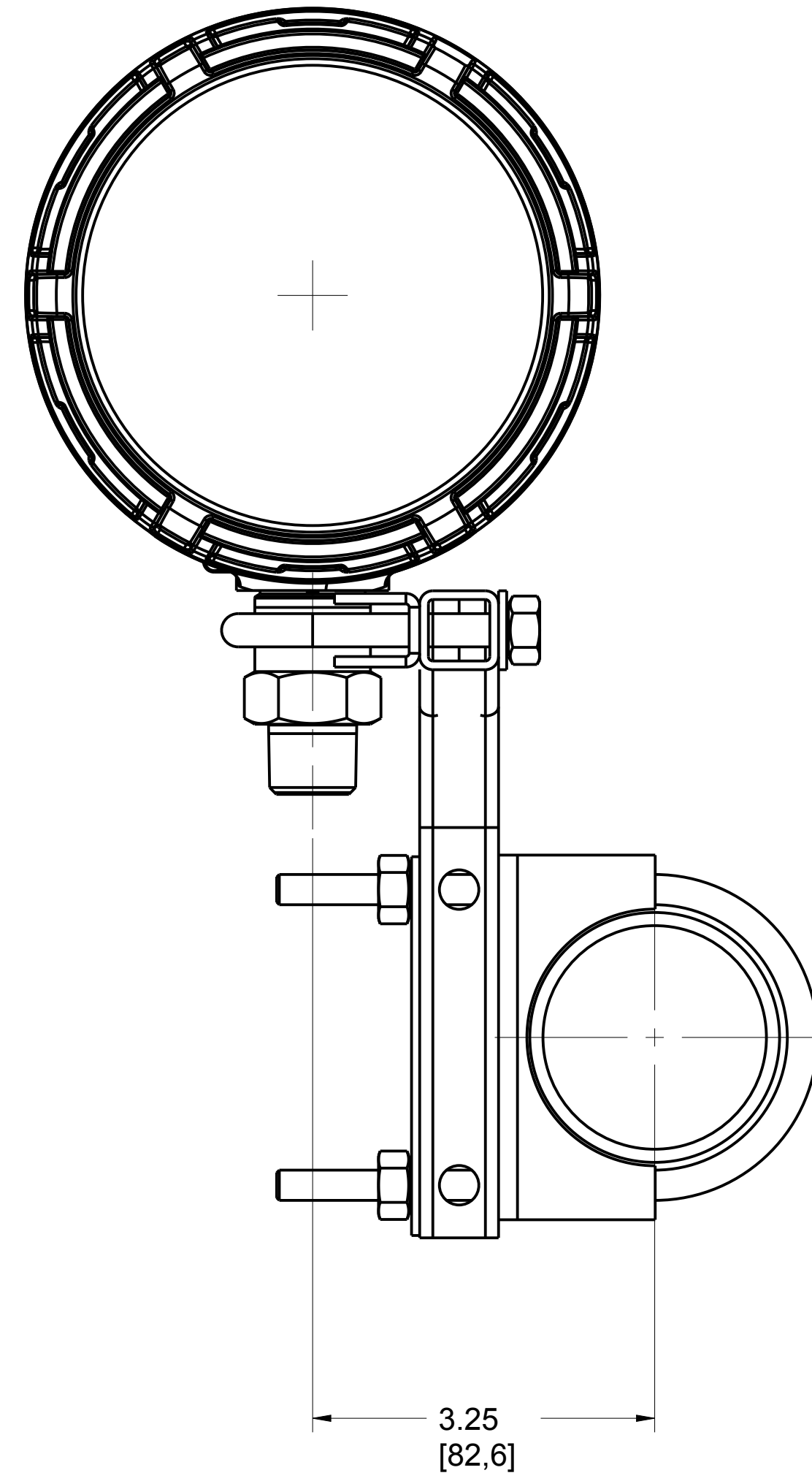
TITLE  
**ROSEMOUNT WPG  
TYPE I DRAWING**

DR. J. ARMSTRONG 5/19/16 DRAWING NO.  
APP'D J. VANDERAA 5/20/16 **WPG-7000**

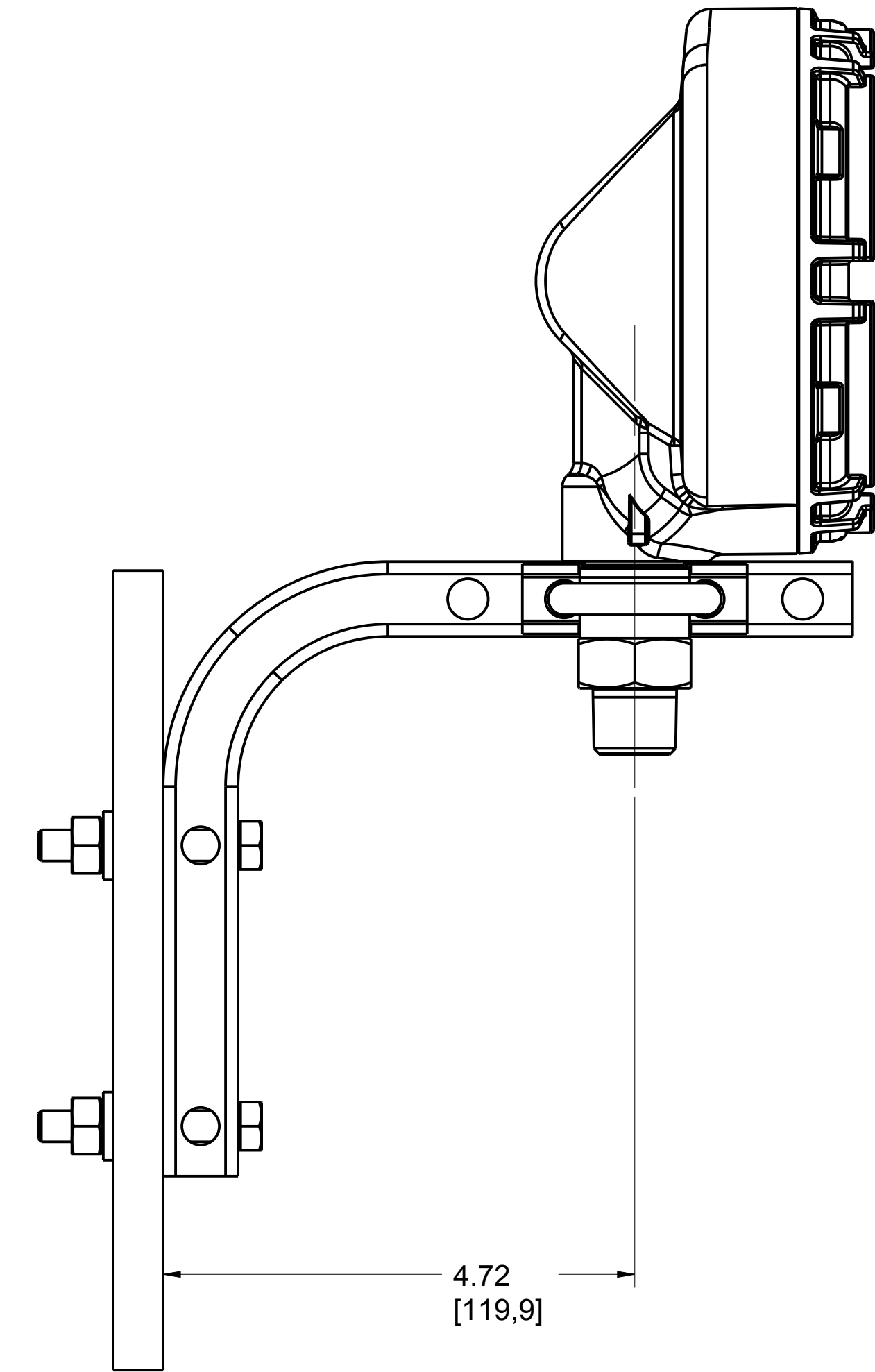
CAD MAINTAINED, (PROE) SHEET 1 OF 2

MOUNTING CONFIGURATIONS (B4 BRACKET)

PIPE MOUNTING



PANEL MOUNTING



©2015 ROSEMOUNT INC. ROSEMOUNT INC. CERTIFIES THIS DRAWING AND ALL DIMENSIONS THEREON TO ACCORDANCE WITH ROSEMOUNT ENGINEERING SPECIFICATIONS. UNIT NOTES IN INCHES (mm). REFERENCE ROSEMOUNT PRODUCT SPECIFICATIONS. CLICK HERE	3RD ANGLE	SIZE D	SCALE NTS
	TITLE <b>ROSEMOUNT WPG                  TYPE I DRAWING</b>		
	DR. J. ARMSTRONG APP'D J. VANDERAA	5/19/16 5/20/16	DRAWING NO. WPG-7000