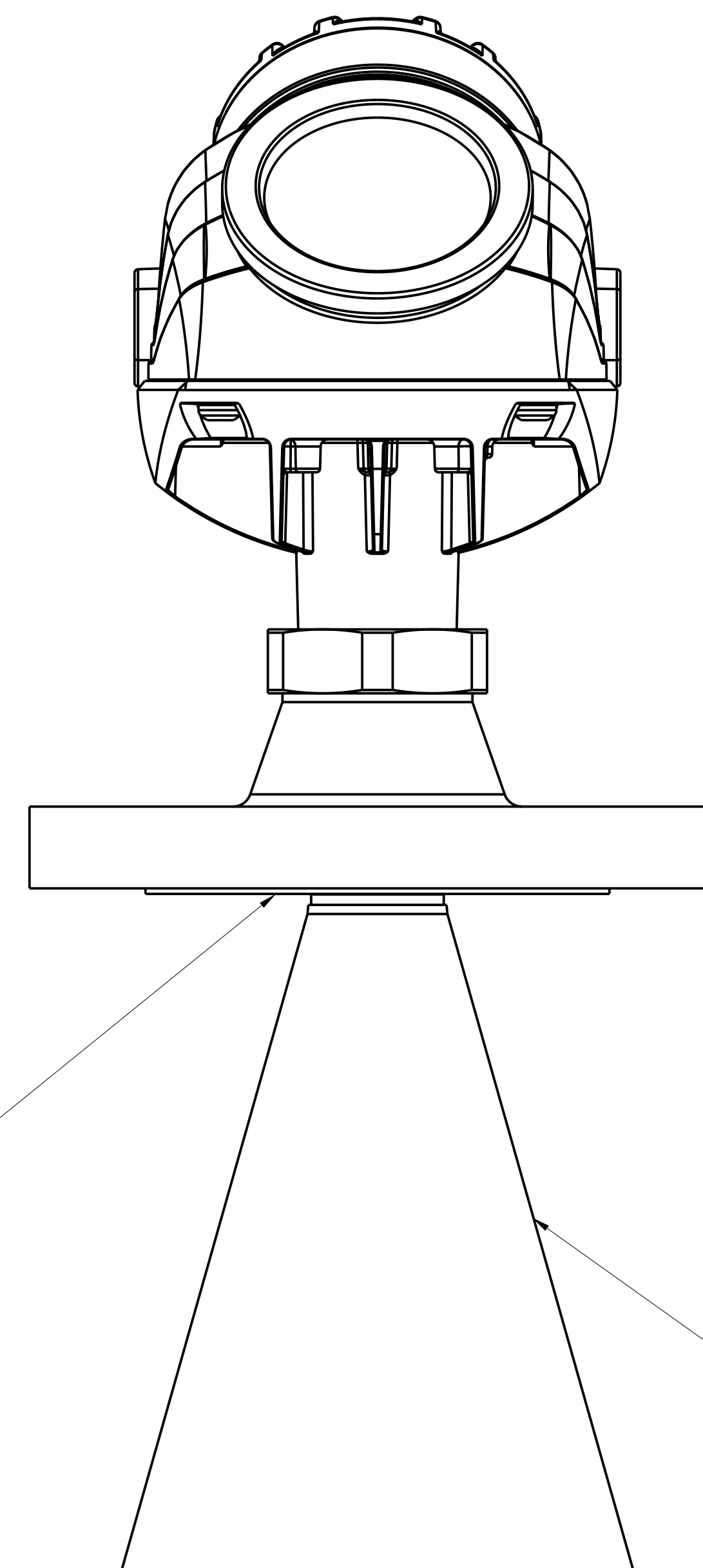
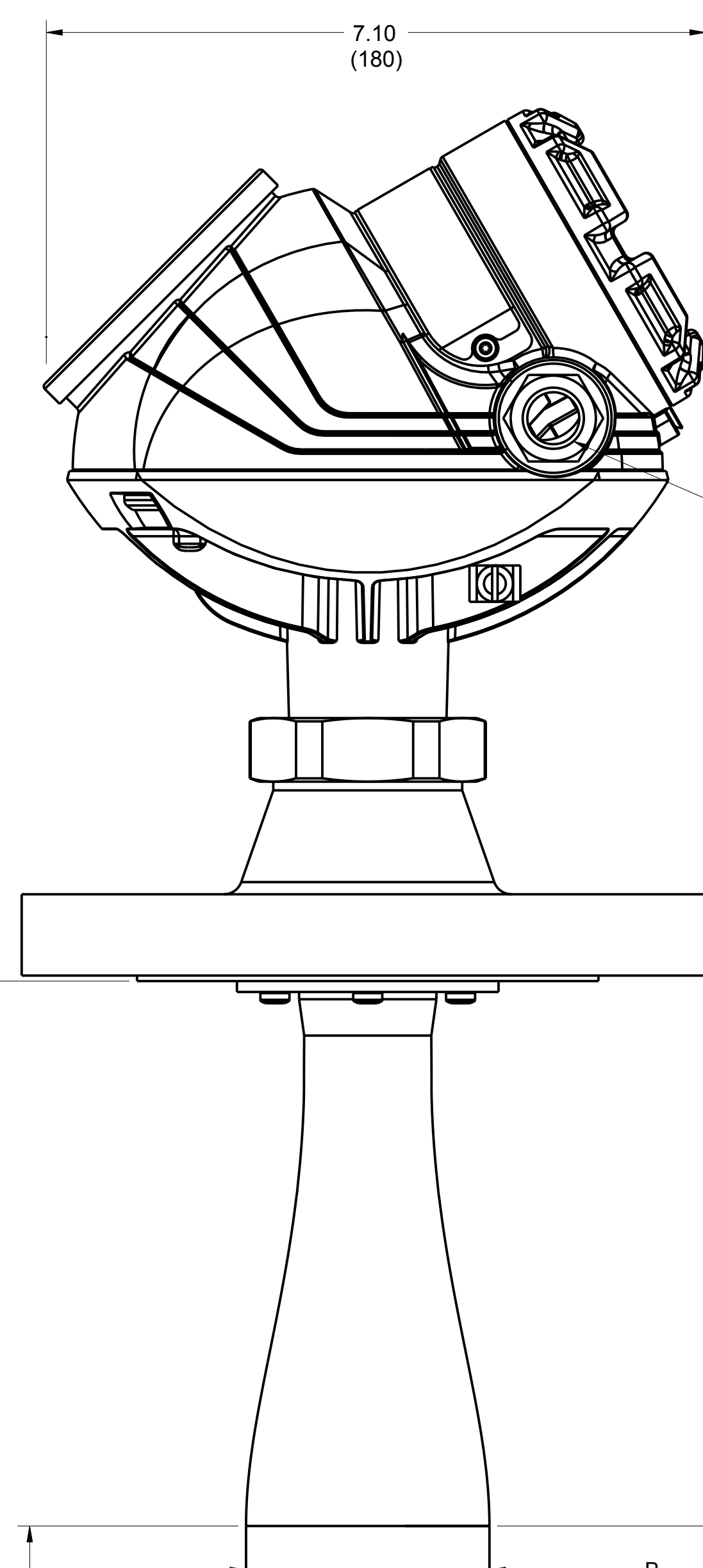
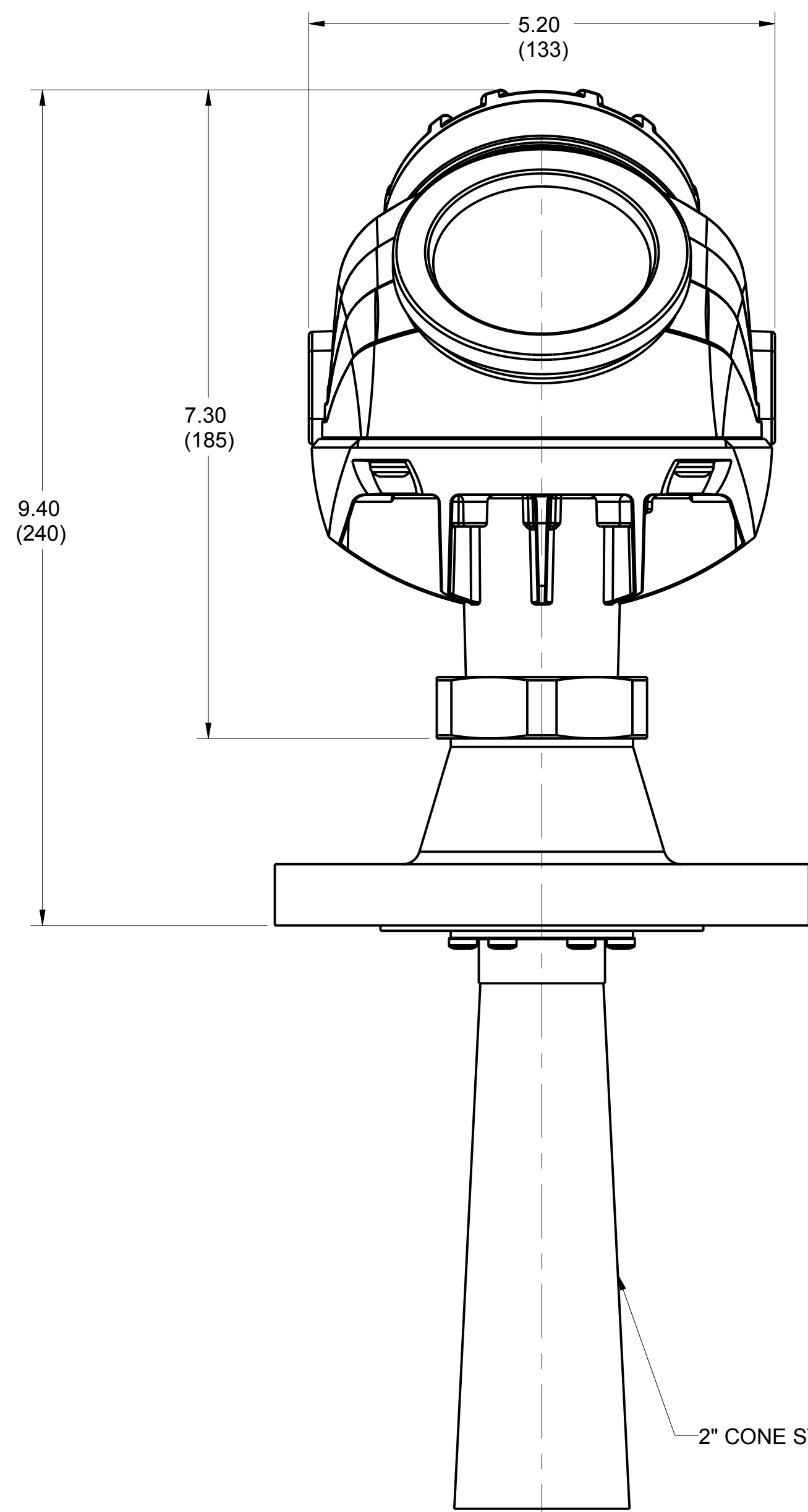


# ROSEMOUNT 5402 HIGH FREQUENCY RADAR LEVEL TRANSMITTER

REVISION TABLE			
REVISION	ECO NO.	APP'D	DATE
AB	RTC1067391	T. Soderman	2/7/17
DESCRIPTION			
CREATE STANDARD CONE TABLE			

SST CONE ANTENNA W/ HOUSING  
(OPTIONS 2S-4S)

WITH PROTECTIVE PLATE ANTENNA  
(OPTIONS 2H-4H,2M-4M,2N-4N)



EXTENDED SST CONE  
MAX 20.4 (518)

EXTENSION  
LENGTH

5402 STANDARD SST CONE

CONE SIZE	A	B	ANTENNA CODE
2	6.5 (165)	2.0 (50)	2S
3	5.9 (150)	2.6 (67)	3S
4	8.8 (225)	3.6 (92)	4S

5402 STANDARD CONE WITH PROTECTIVE PLATE

CONE SIZE	A	B	ANTENNA CODE
2	5.9 (150)	2.0 (50)	2H,2M,2N
3	6.9 (175)	2.6 (67)	3H,3M,3N
4	9.8 (250)	3.6 (92)	4H,4M,4N

©2015 ROSEMOUNT INC.  
ROSEMOUNT INC. CERTIFIES  
THIS DRAWING IS MADE IN  
ACCORDANCE WITH THE  
ROSEMOUNT ENGINEERING  
SPECIFICATIONS.  
UNIT NOTES IN INCHES (mm).  
REFERENCE ROSEMOUNT  
PRODUCT SPECIFICATIONS.  
CLICK HERE

3RD ANGLE

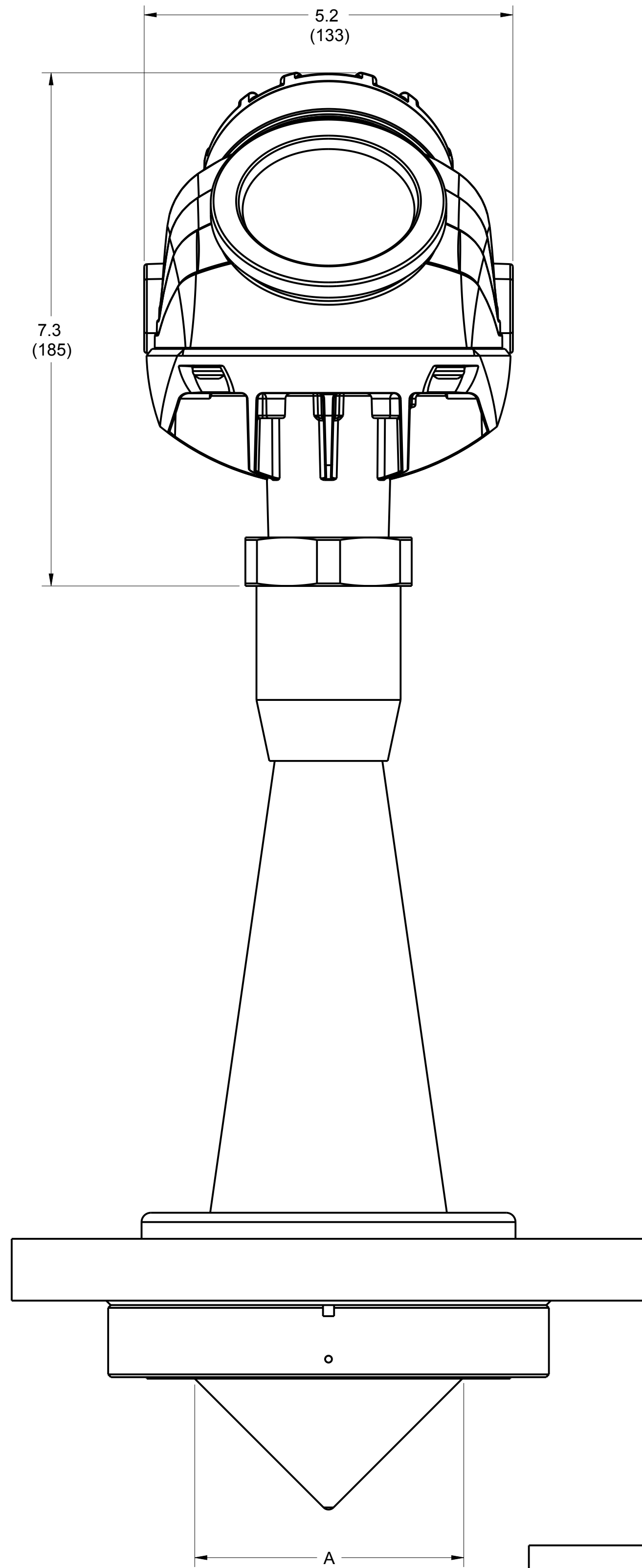
**EMERSON**

TITLE  
**ROSEMOUNT 5402  
TYPE I DRAWING**

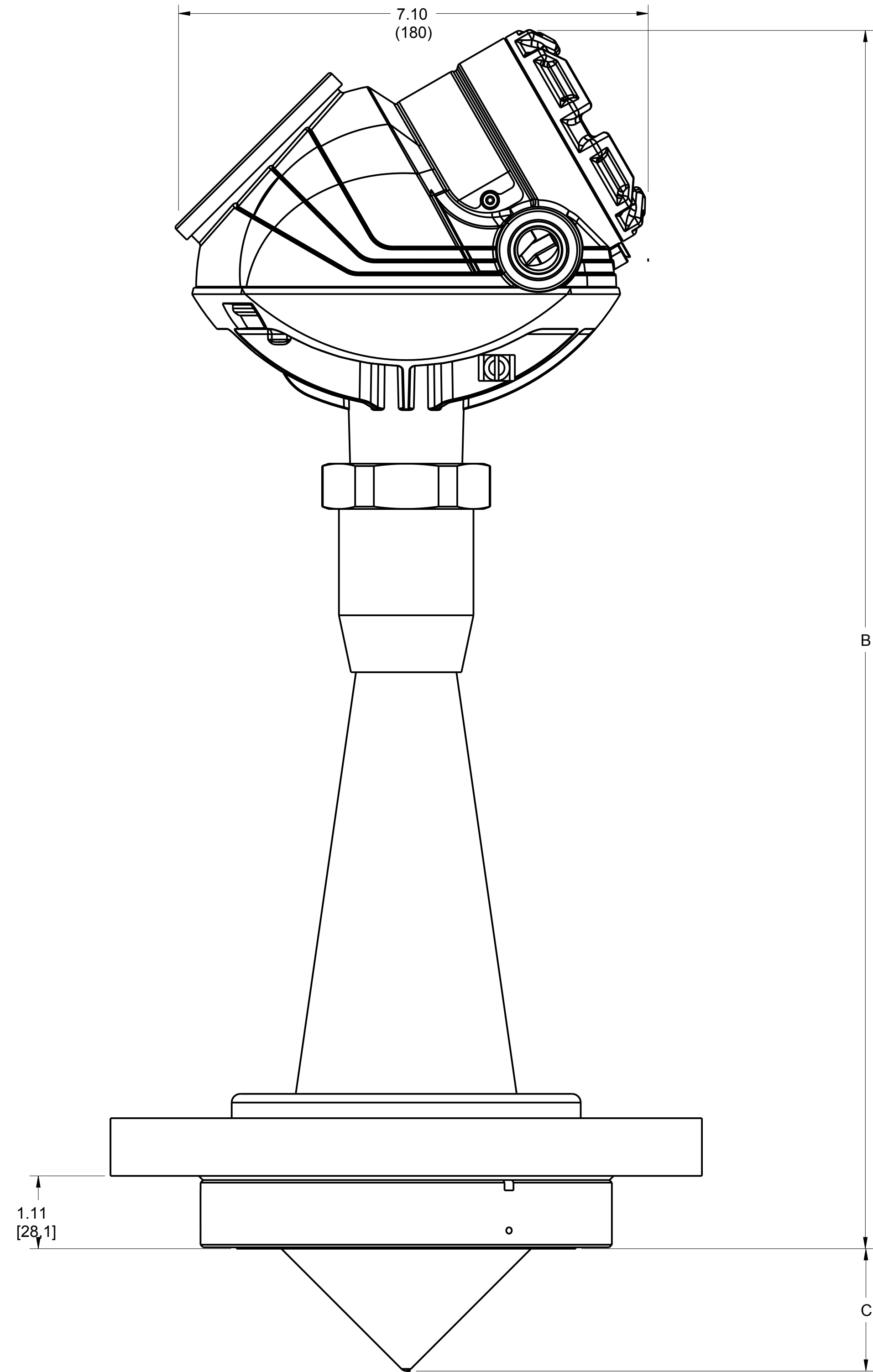
DR. J. Armstrong 1/4/16 DRAWING NO. 05402-7000  
APP'D T. Soderman 1/6/16

CAD MAINTAINED, (PROE) SHEET 1 OF 3

# ROSEMOUNT 5402 HIGH FREQUENCY RADAR LEVEL TRANSMITTER



PROCESS SEAL CONNECTION  
(OPTIONS 2P-4P)



CONE SIZE	A	B	C	ANTENNA CODE
2	1.8 (46)	14.2 (360)	0.9 (22)	2P
3	2.8 (72)	17.3 (440)	1.4 (35)	3P
4	3.8 (97)	18.9 (480)	1.9 (48)	4P

©2015 ROSEMOUNT INC.  
ROSEMOUNT INC. CERTIFIES  
THIS DRAWING IS IN  
ACCORDANCE WITH  
ROSEMOUNT ENGINEERING  
SPECIFICATIONS.  
UNIT NOTES IN INCHES (mm).  
REFERENCE ROSEMOUNT  
PRODUCT SPECIFICATIONS.  
CLICK HERE

3RD ANGLE

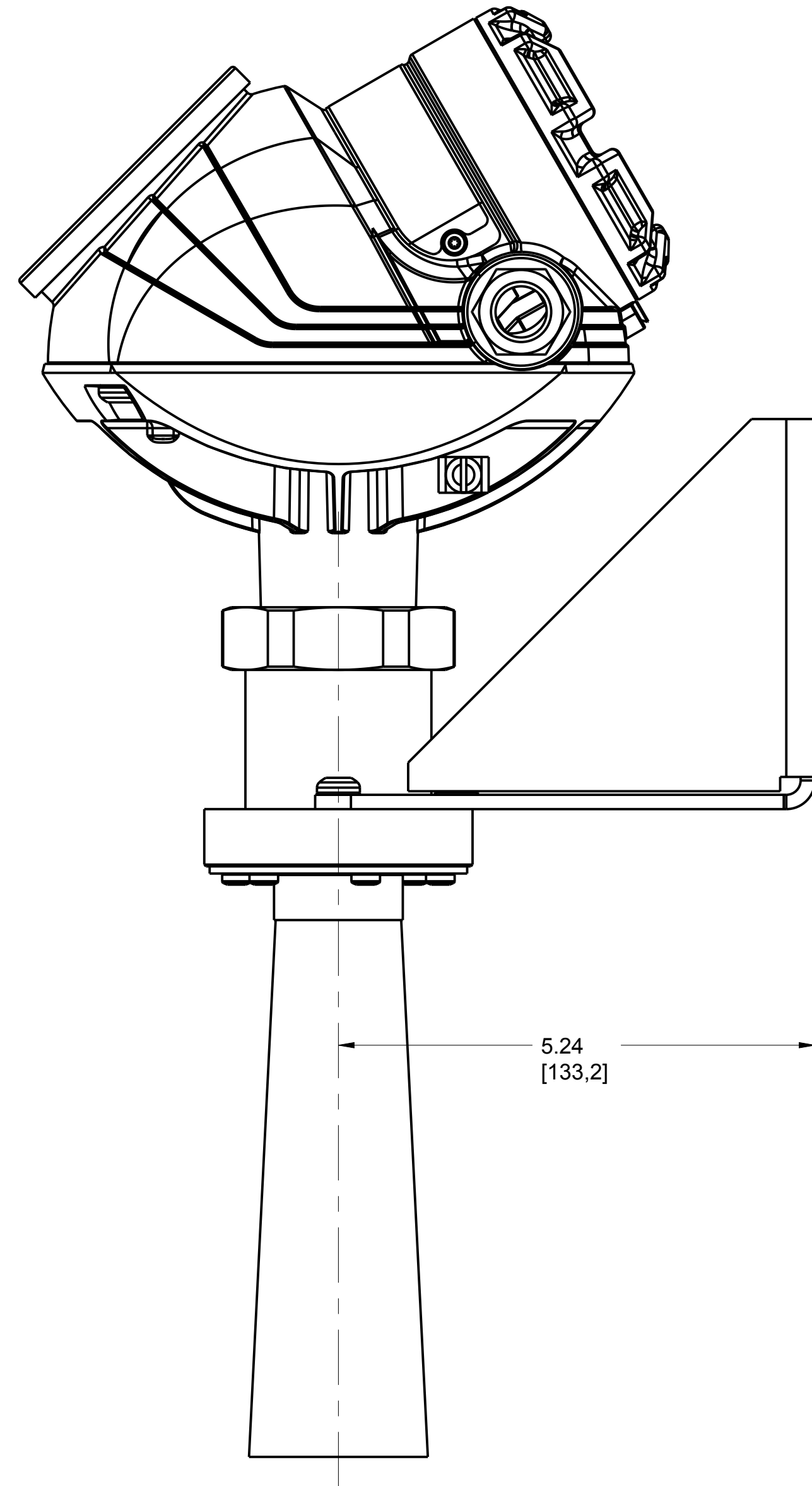
EMERSON

TITLE  
**ROSEMOUNT 5402  
TYPE I DRAWING**

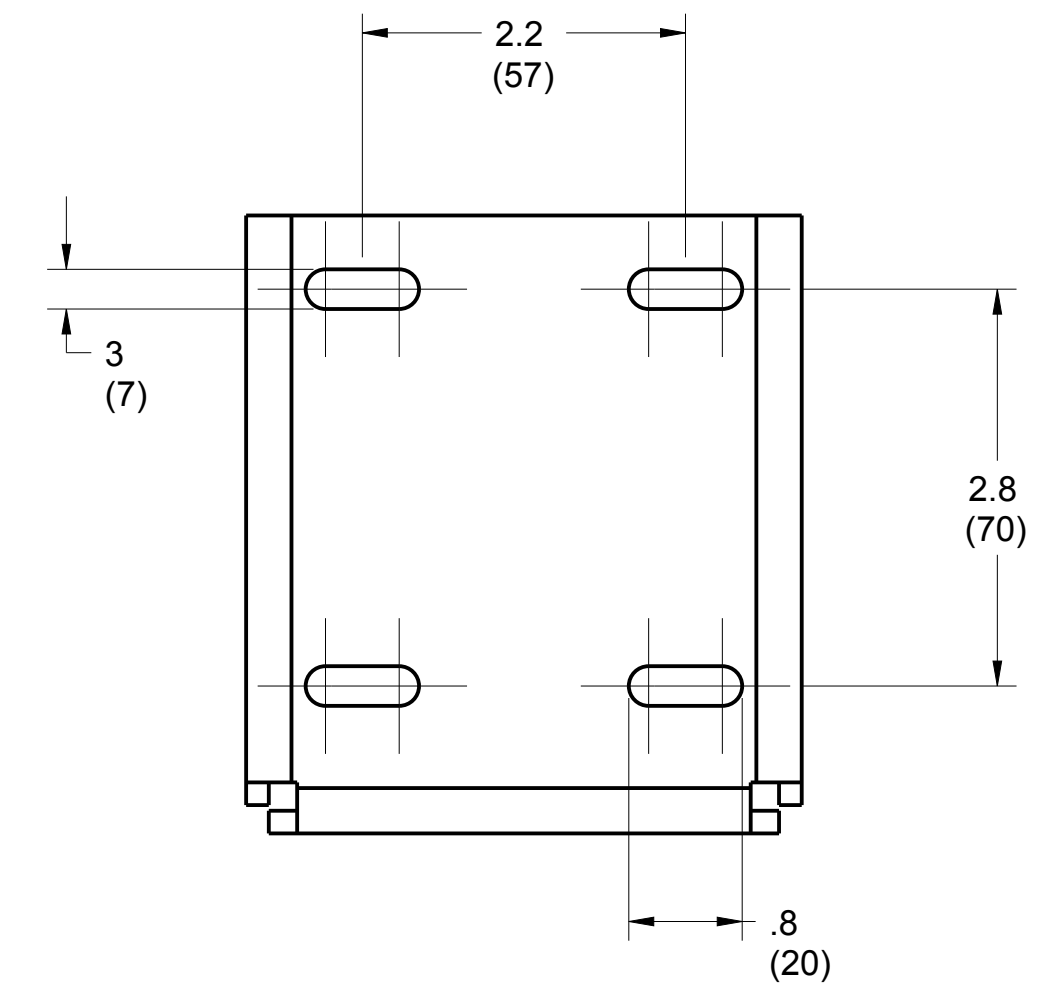
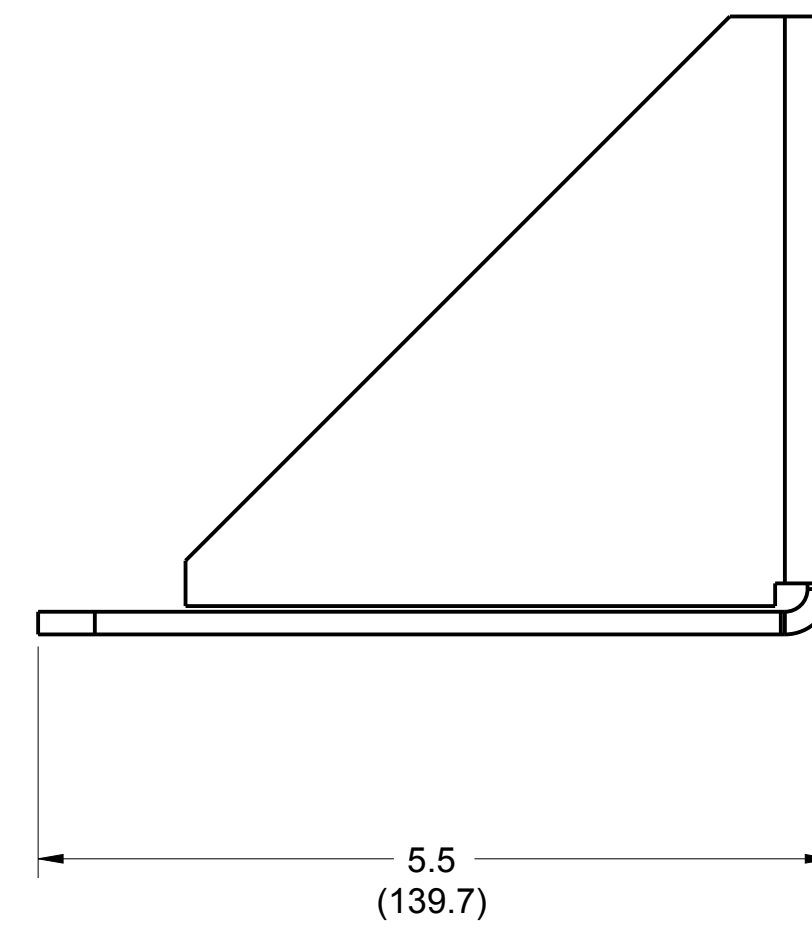
DR. J. Armstrong	1/4/16	DRAWING NO.	
APPD T. Soderman	1/6/16		05402-7000
CAD MAINTAINED, (PROE)		SHEET 2 OF 3	

SIZE D SCALE NTS

ROSEMOUNT 5402 HIGH FREQUENCY RADAR LEVEL TRANSMITTER  
MOUNTING CONFIGURATION (CODE BR)



BRACKET MOUNTING  
(OPTIONS BR)



©2015 ROSEMOUNT INC. ROSEMOUNT INC. CERTIFIES THIS DRAWING IS IN ACCORDANCE WITH ROSEMOUNT ENGINEERING SPECIFICATIONS. UNIT NOTES IN INCHES (mm). REFERENCE ROSEMOUNT PRODUCT SPECIFICATIONS. CLICK HERE	3RD ANGLE	SIZE D	SCALE NTS
	TITLE <b>ROSEMOUNT 5402 TYPE I DRAWING</b>		
	DR. J. Armstrong APP'D T. Soderman CAD MAINTAINED, (PROE)	1/4/16 1/6/16	DRAWING NO. <b>05402-7000</b>