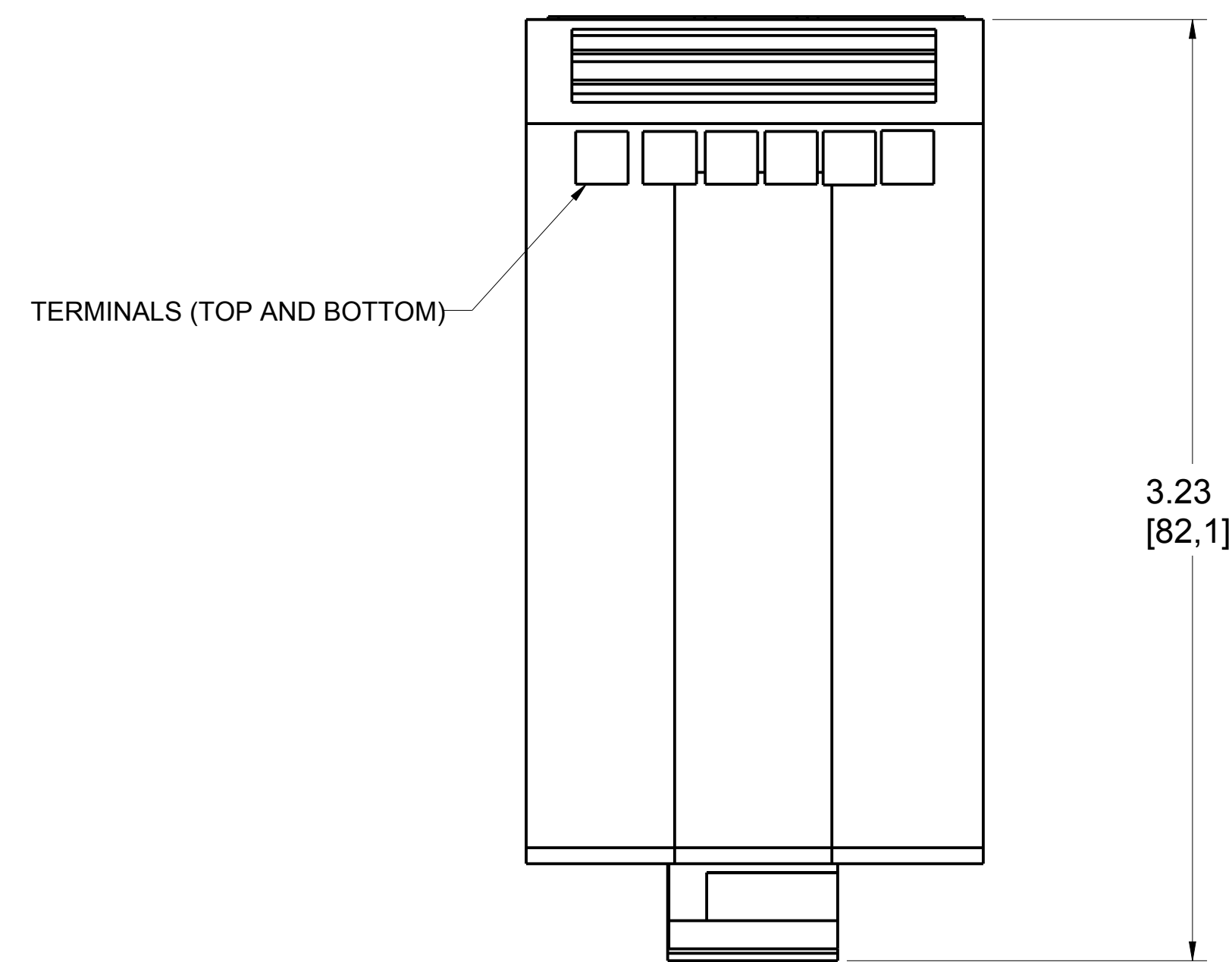
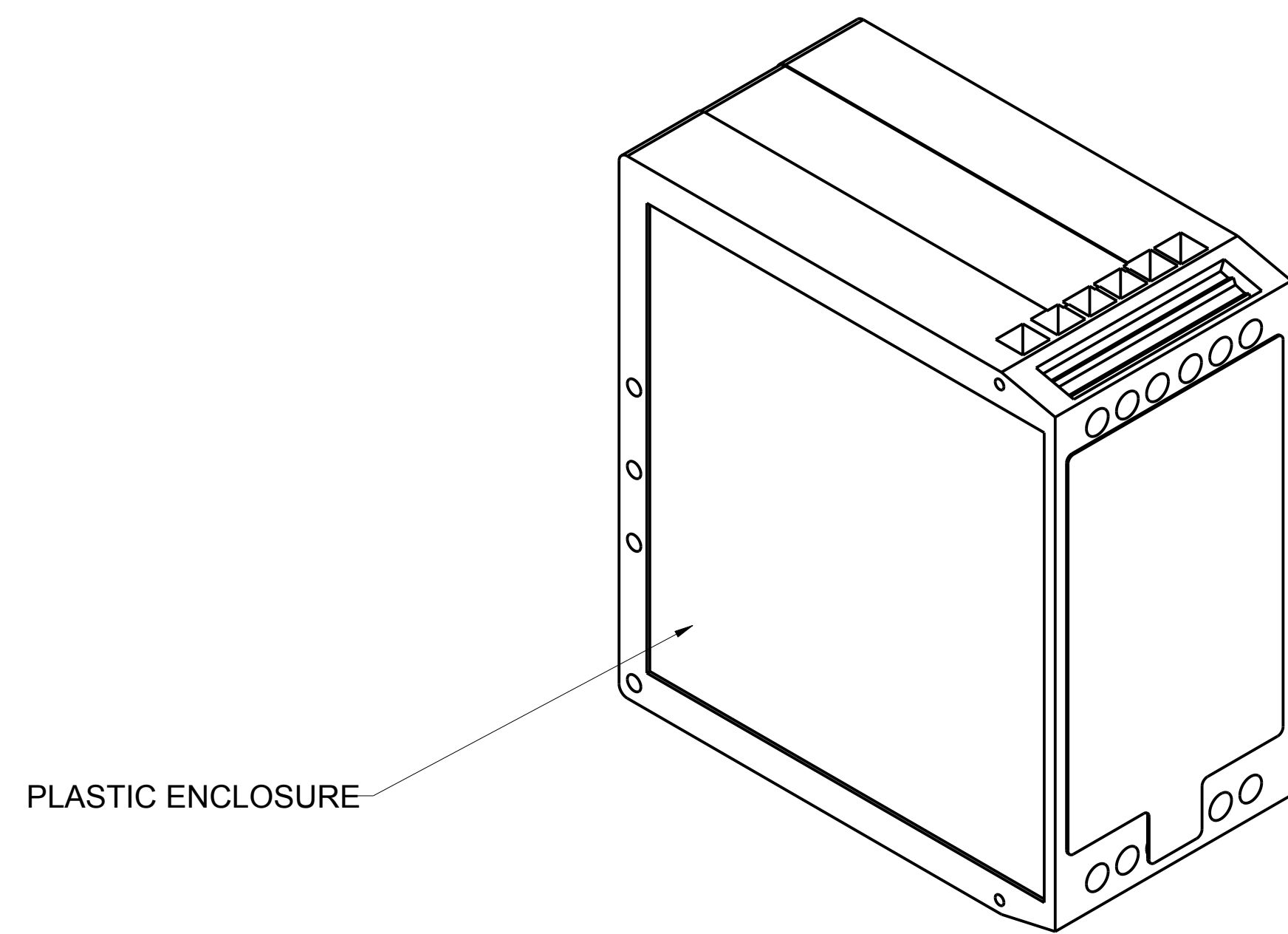
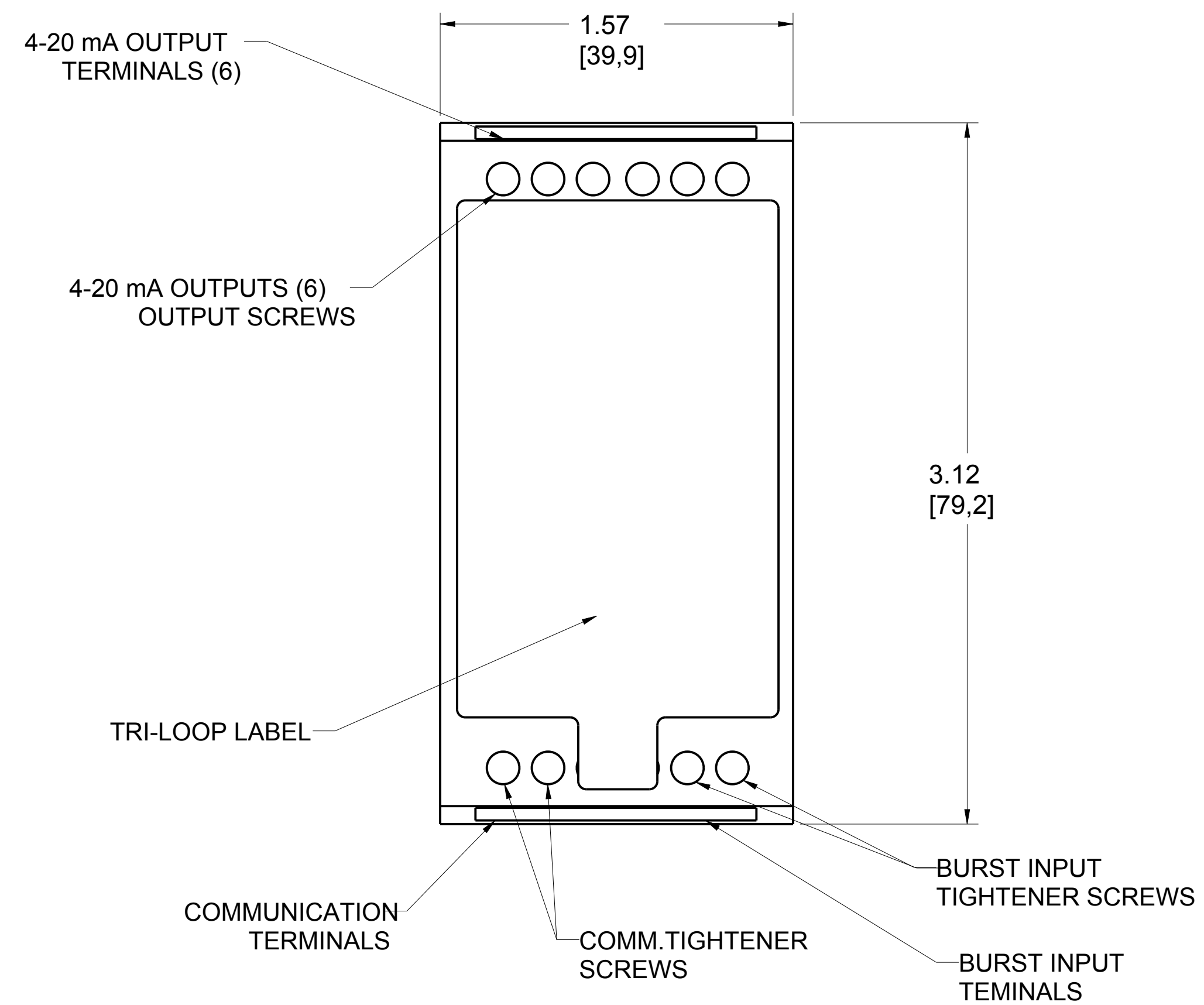
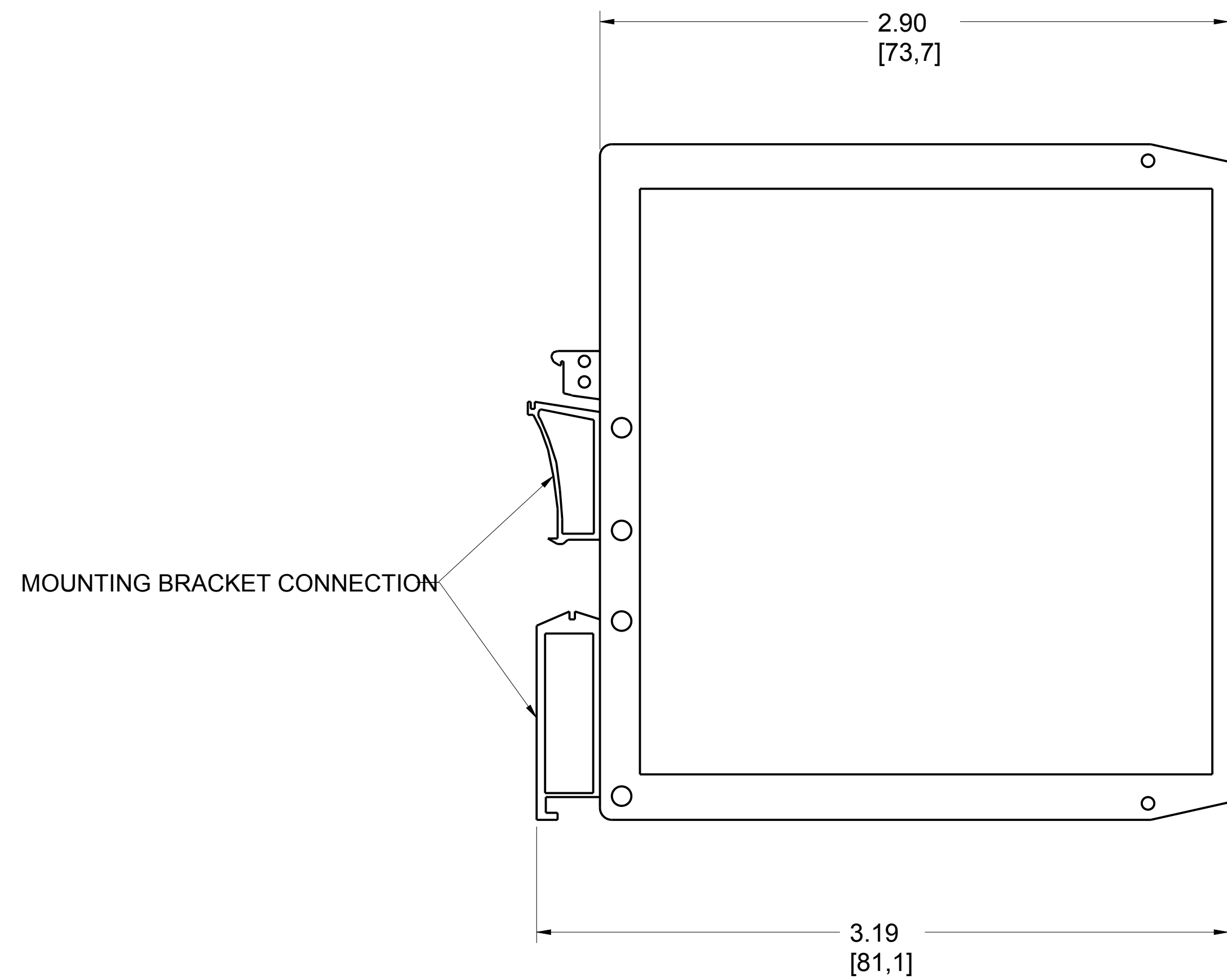


ROSEMOUNT 333 HART TRI-LOOP

REVISION TABLE			
REVISION	ECO NO.	APP'D	DATE
AA	RTC1065959	A. SAVILLE	6/22/16
DESCRIPTION			
NEW RELEASE			



©2015 ROSEMOUNT INC.
ROSEMOUNT INC. CERTIFIES
THIS DRAWING IS MADE IN
ACCORDANCE WITH
ROSEMOUNT ENGINEERING
SPECIFICATIONS.
UNIT NOTES IN INCHES (mm).
REFERENCE ROSEMOUNT
PRODUCT SPECIFICATIONS
FOR PRODUCT SPECIFICATIONS.
CLICK HERE

3RD ANGLE

EMERSON
Process Management

TITLE
ROSEMOUNT 333 TRI-LOOP
TYPE I DRAWING

DR. J. ARMSTRONG
APP'D A. SAVILLE

DRAWING NO.
00333-7000

CAD MAINTAINED, (PROE)

SHEET 1 OF 1