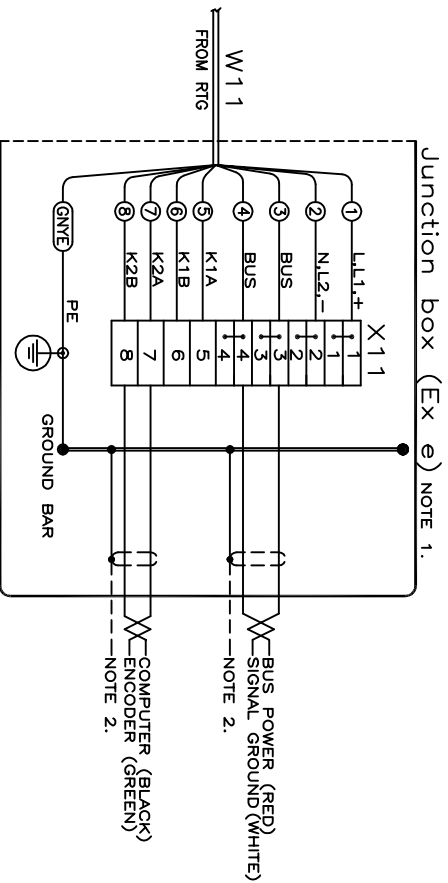


TANKWAY L&J CONNECTION
Supply & Communications Connections



- ② SHIELDED CABLE RECOMMENDED FOR VALID EMC PERFORMANCE ACC TO EN 50082-2 SHIELD CONNECTION ONLY AT ONE END OTHERWISE A GROUND LOOP WITH CIRCULATING CURRENT MAY OCCUR.
- ① JBI (Junction Box Integrated) Ex e / WIRE TERMINAL (X11) AWG 20-12 OR 0.5-4 SQMM. OPTIONAL: 2.5mm FLTING LEADS FOR EXTERNAL JUNCTION BOX (CUSTOMER OR RTR SUPPLY) DEPENDING ON NATIONAL CODE OF PRACTICE.

Product Discontinued

ISSUED BY	WEEK	PRODUCT CODE	TITLE	ACAD	INSTALLATION DRAWING TITLE
GU-HF	0114	REX		SCALE	ELECTRICAL INSTALLATION DWG, REX
APPROVED BY	WEEK	ORIGINAL DWG NO.		1:1	TANKWAY L&J CONNECTION, W11/X11
CU-LN	0114	9150072-935		1 ST ANGLE	
ROSEMOUNT				DOC TYPE	DWG NO.
Tank Gauging				2	9150072-935
				ISSUE	SHEET
				3	1/1

THE USER'S RESPONSIBILITY OF THIS DOCUMENT IS TO USE IT WITH CARE AND WITHOUT OVER AUTHORIZATION OR EXPOSURE TO THE KNOWLEDGE OF A THIRD PARTY. COMMUNICATION WILL BE PROSECUTED. ROSEMOUNT TANK GAUGING AB, SWEDEN.