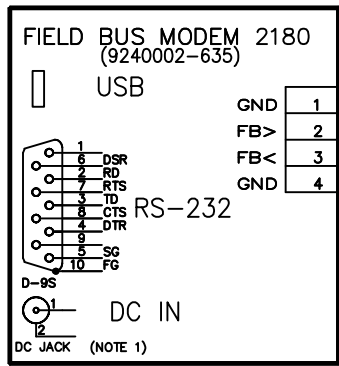
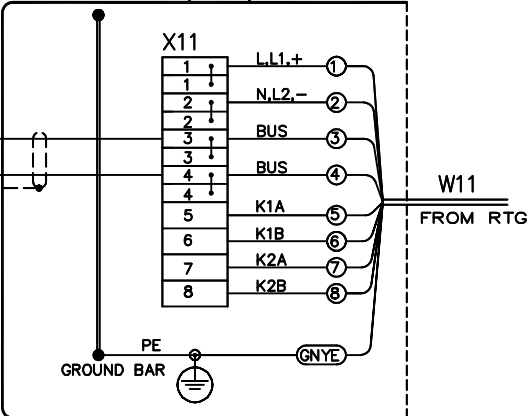


USB 1.1 AND USB 2.0 BUS CONNECTION  
MAX CABLE LENGTH 5M



Junction box (Ex e)



W11  
FROM RTG

OTHER RTGs AND IDAUs

TANK ID.	RTG ADR	DAU ADR

NON HAZARDOUS AREA

HAZARDOUS AREA

- ① AN EXTERNAL DC POWER SOURCE IS REQUIRED TO SUPPLY THE FIELD BUS MODEM ONLY FOR RS-232 OPERATION. USE THE RTR SUPPLIED UNIT 6853502-070 OR ANY OTHER AC/DC ADAPTOR (7-12V, 0,1A) WITH A 5.5mm DC PLUG.
- ② GROUND CONNECTION FOR OVERVOLTAGE PROTECTION
- ③ TRL/2 BUS TO FCU OR FIELD DEVICES (RTG & IDAU). SINGLE TWISTED, PREFERRABLY SHIELDED PAIR MULTIDROP, POLARITY INDEPENDENT. INDIVIDUAL SHIELDING IS MANDATORY IF TWO BUSES RUN IN THE SAME CABLE.  
  
RECOMMENDED WIRING LENGTH:  
AWG 24 (0,25 mm2): <1km  
AWG 22 (0,35 mm2): <2km  
AWG 20 (0,50 mm2): <3km  
AWG 18 (0,75 mm2): <4km
- ④ JBI (Junction Box Integrated) Ex e/ WIRE TERMINAL (X11) AWG 20-12 OR 0.5-4 SQMM. OPTIONAL: 2.5m FLYING LEADS FOR EXTERNAL JUNCTION BOX (CUSTOMER OR RTR SUPPLY) DEPENDING ON NATIONAL CODE OF PRACTICE.
- ⑤ USB AND RS-232 ARE ALTERNATIVE BUS CONNECTIONS

ISSUED BY GSP-MH	WEEK 0541	PRODUCT CODE REX	FILE ACAD	INSTALLATION DRAWING TITLE EL. INSTALLATION DWG PC-FBM-JB/RTG		
APPROVED BY GSP	WEEK 0541	ORIGINAL DWG NO. 9240002-968	SCALE -	DOC TYPE 2	DWG NO. 9240002-968	ISSUE SHEET 02 1/1
				THE COPYRIGHT/OWNERSHIP OF THIS DOCUMENT IS AND WILL REMAIN OURS. THE DOCUMENT MUST NOT BE USED WITHOUT OUR AUTHORIZATION OR BROUGHT TO THE KNOWLEDGE OF A THIRD PARTY. CONTRAVENTION WILL BE PROSECUTED. ROSEMOUNT TANK RADAR AB, SWEDEN.		
				INST. DWG. A3 070213		