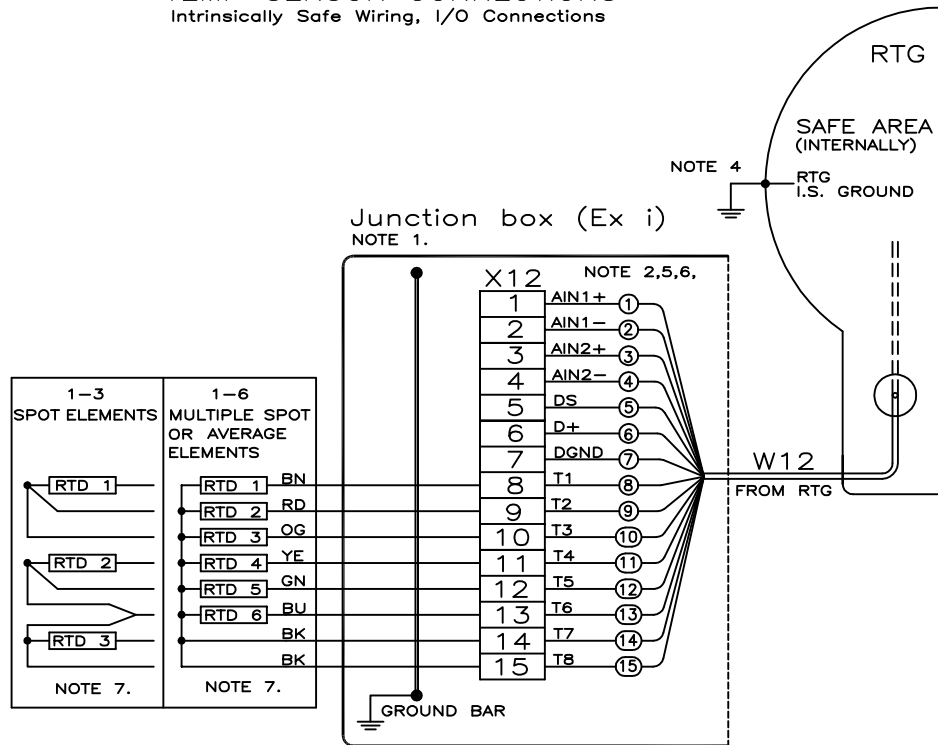


# TEMP SENSOR CONNECTIONS

Intrinsically Safe Wiring, I/O Connections



- ⑦ FOR CHANGE OF CONFIGURATION (SENSOR TYPE) SEE INSTALLATION MANUAL.
- ⑥ THE TEMPERATURE MULTIPLEXER CARD (TMC) OPTION CONSISTS OF ONE INTRINSICALLY SAFE CIRCUIT FOR CONNECTION OF UP TO SIX RESISTANCE TEMPERATURE DETECTORS (SIMPLE APPARATUS).
- |       | U <sub>M</sub> | P <sub>O</sub> | U <sub>O</sub> | I <sub>O</sub> | C <sub>O</sub> | L <sub>O</sub> |
|-------|----------------|----------------|----------------|----------------|----------------|----------------|
| T1-T8 | 250V           | 0,3W           | 5.9V           | 179mA          | 43uF           | 0.7mH          |
- ⑤ EXTERNAL WIRING CONSISTS OF UP TO FOUR SEPARATE I.S. CIRCUITS. WIRES BELONGING TO DIFFERENT I.S. CIRCUITS MAY SHARE THE SAME CABLE, PROVIDED THEY ARE SEPARATED BY INDIVIDUAL SHIELDS CONNECTED TO GROUND. SEPARATE CABLES MUST BE USED IN INSTALLATIONS ACC. TO CSA.
- ④ TANK EARTH CONNECTION MIN 4 SQMM REQUIRED FOR INST. ACC TO CENELEC.
- ③ SHIELDED CABLE RECOMMENDED FOR VALID EMC PERFORMANCE ACC TO EN 50082-2. SHIELD CONNECTION ONLY AT ONE END OTHERWISE A GROUND LOOP WITH CIRCULATING CURRENT MAY OCCUR.
- ② IF INTRINSIC SAFETY IS REQUIRED FOR ANY ONE OF THE CONNECTED DEVICES, THEN ALL CONNECTED DEVICES MUST BE CERTIFIED INTRINSICALLY SAFE AND COMPLY WITH THE TABLE (NOT 6).
- ① JBI (Junction Box Integrated) Ex i/ WIRE TERMINAL (X12) AWG 28-16 OR 0.08-1.5 SQMM  
OPTIONAL: 2.5m FLYING LEADS FOR EXTERNAL JUNCTION BOX (CUSTOMER OR RTR SUPPLY)  
DEPENDING ON NATIONAL CODE OF PRACTICE.

# Product Discontinued

ISSUED BY	WEEK	PRODUCT CODE	FILE	ACAD	INSTALLATION DRAWING TITLE		
GU-HF	0114	REX			ELECTRICAL INSTALLATION DWG, REX		
APPROVED BY	WEEK	ORIGINAL DWG NO.	SCALE		TEMP SENSOR CONNECTION, W12/X12		
GU-LN	0114	9150072-941	1:1				
<b>ROSEMOUNT</b>		1 ST ANGLE		DOC TYPE	DWG NO.	ISSUE	SHEET
Tank Gauging		1:1		2	9150072-941	3	1/1
<small>THE COPYRIGHT/OWNERSHIP OF THIS DOCUMENT IS AND WILL REMAIN OURS. THE DOCUMENT MUST NOT BE USED WITHOUT OUR AUTHORIZATION OR BROUGHT TO THE KNOWLEDGE OF A THIRD PARTY. CONTRAVENTION WILL BE PROSECUTED. ROSEMOUNT TANK RADAR AB, SWEDEN.</small>							