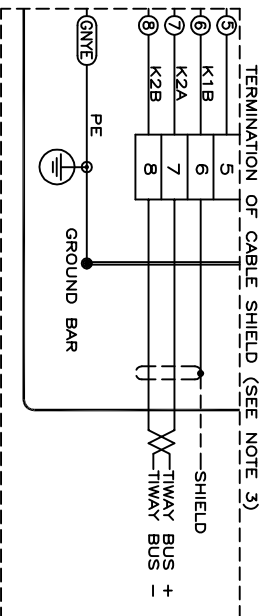
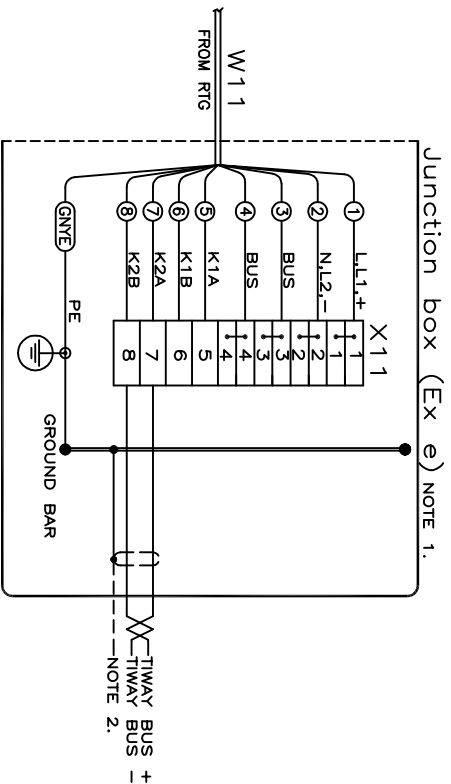


TIWAY ADAPTER CONNECTION  
Supply & Communications Connections



- ③ FOR TERMINATION OF LAST TRANSMITTER ON TIWAY BUS, SEE COMPLETE INSTRUCTIONS IN INSTALLATION MANUAL.
- ② SHIELDED CABLE RECOMMENDED FOR VALID EMC PERFORMANCE ACC TO EN 50082-2 SHIELD CONNECTION ONLY AT ONE END OTHERWISE A GROUND LOOP WITH CIRCULATING CURRENT MAY OCCUR.
- ① JBI (Junction Box Integrated) Ex e / WIRE TERMINAL (X11) AWG 20-12 OR 0.5-4 SQMM. OPTIONAL: 2.5mm FLTING LEADS FOR EXTERNAL JUNCTION BOX (CUSTOMER OR RTR SUPPLY) DEPENDING ON NATIONAL CODE OF PRACTICE.

Product Discontinued

ISSUED BY	WEEK	PRODUCT CODE	TITLE	ACAD	INSTALLATION DRAWING TITLE
GU-HF	0114	REX			ELECTRICAL INSTALLATION DWG, REX
APPROVED BY	WEEK	ORIGINAL DWG NO.	SCALE		TIWAY ADAPTER CONNECTION, W11/X11
GU-LN	0114	9150072-938	1:1		
<b>ROSEMOUNT</b>					
Tank Gauging					
	1 <sup>ST</sup> ANGLE				
	2	DWG NO.			
		9150072-938			
		ISSUE			
		3			
		SHEET			
		1/1			

THE CUSTOMER/RESPONSIBLE OF THIS DOCUMENT IS RESPONSIBLE FOR THE CORRECTNESS OF THE INFORMATION PROVIDED. ROSEMOUNT SHALL NOT BE RESPONSIBLE FOR THE INFORMATION PROVIDED. THE INFORMATION PROVIDED IS FOR INFORMATION ONLY AND SHALL BE USED WITHOUT OUR AUTHORIZATION OR ENDORSEMENT TO THE KNOWLEDGE OF A THIRD PARTY. COMMUNICATION WILL BE PROSECUTED. ROSEMOUNT TANK GAUGING AB, SWEDEN.