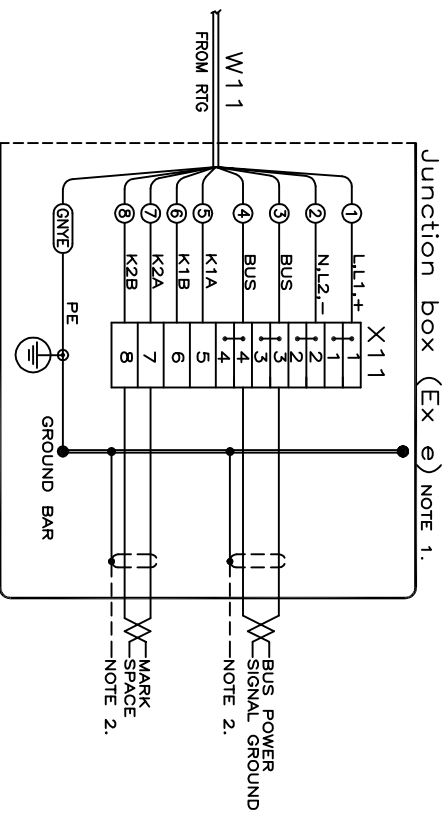


VAREC MARK/SPACE CONNECTION
Supply & Communications Connections



- ② SHIELDED CABLE RECOMMENDED FOR VALID EMC PERFORMANCE ACC TO EN 50082-2 SHIELD CONNECTION ONLY AT ONE END OTHERWISE A GROUND LOOP WITH CIRCULATING CURRENT MAY OCCUR.
- ① JBI (Junction Box Integrated) Ex e / WIRE TERMINAL (X11) AWG 20-12 OR 0.5-4 SQMM. OPTIONAL: 2.5m FLYING LEADS FOR EXTERNAL JUNCTION BOX (CUSTOMER OR RTR SUPPLY) DEPENDING ON NATIONAL CODE OF PRACTICE.

Product Discontinued

ISSUED BY	WEEK	PRODUCT CODE	TITLE	ACAD	INSTALLATION DRAWING TITLE
GU-HF	0114	REX		SCALE	ELECTRICAL INSTALLATION DWG, REX
APPROVED BY	WEEK	ORIGINAL DWG NO.		1:1	VAREC MARK/SPACE CONN, W11/X11
CU-LN	0114	9150072-936		1 ST ANGLE	
ROSEMOUNT				DOC TYPE	DWG NO.
Tank Gauging				2	9150072-936
				ISSUE	SHEET
				3	1/1

THE CUSTOMER/RESPONSIBLE PARTY SHALL BE RESPONSIBLE FOR THE CORRECTNESS OF THE INFORMATION PROVIDED IN THIS DOCUMENT. ROSEMOUNT SHALL NOT BE RESPONSIBLE FOR THE INFORMATION PROVIDED IN THIS DOCUMENT. ROSEMOUNT TANK GAUGING AB, SWEDEN.