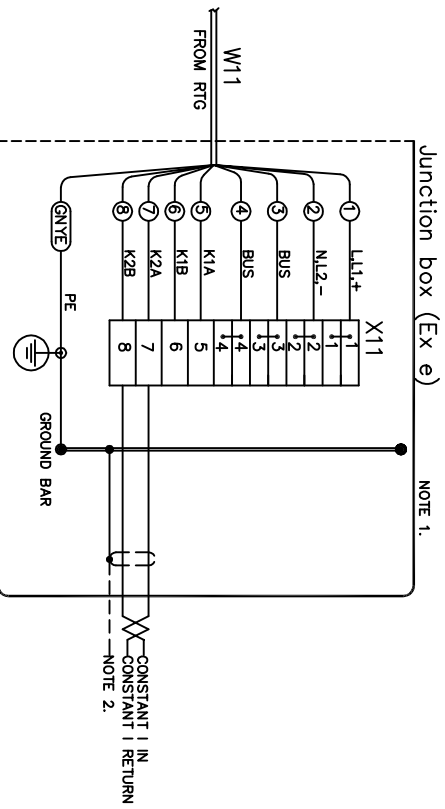


WHESSOE / GPE CONNECTION
Supply & Communications Connections



- ② SHIELDED CABLE RECOMMENDED FOR VALID EMC PERFORMANCE ACC TO EN 50082-2
SHIELD CONNECTION ONLY AT ONE END OTHERWISE A GROUND LOOP WITH
CIRCULATING CURRENT MAY OCCUR.
- ① JBI (Junction Box integrated) Ex. e/ WIRE TERMINAL (X11) AWG 20-12 OR 0.5-4 SQMM.
OPTIONAL: 2.5mm FLTING LEADS FOR EXTERNAL JUNCTION BOX (CUSTOMER OR RTR SUPPLY)
DEPENDING ON NATIONAL CODE OF PRACTICE.

Product Discontinued

ISSUED BY	WEEK	PRODUCT CODE	FILE	ACAD	INSTALLATION DRAWING TITLE
GU-HF	0114	REX		SCALE	ELECTRICAL INSTALLATION DWG, REX
APPROVED BY	WEEK	ORIGINAL DWG NO.			WHESSOE/GPE CONNECTION. (W11/X11)
CU-LN	0114	9150072-937		1 ST ANGLE	
ROSEMOUNT				DOC TYPE	DWG NO.
Tank Gauging				2	9150072-937
				ISSUE	SHEET
				3	1/1

THE CUSTOMER/RESPONSIBLE OF THIS DOCUMENT IS RESPONSIBLE FOR THE CORRECTNESS OF THE INFORMATION PROVIDED. THE INFORMATION IS NOT TO BE USED WITHOUT OUR AUTHORIZATION OR SUBJECT TO THE KNOWLEDGE OF A THIRD PARTY. COMMUNICATION WILL BE PROSECUTED. ROSEMOUNT TANK GAUGING AB, SWEDEN.