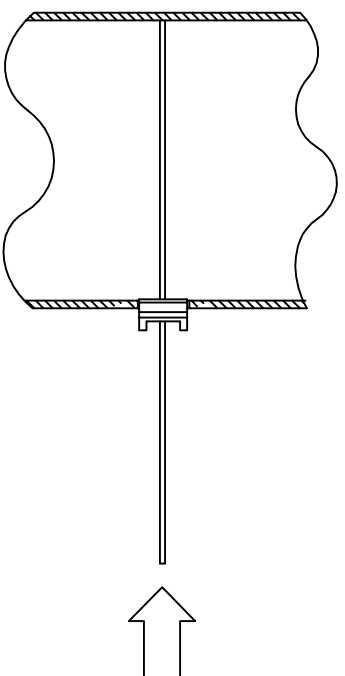
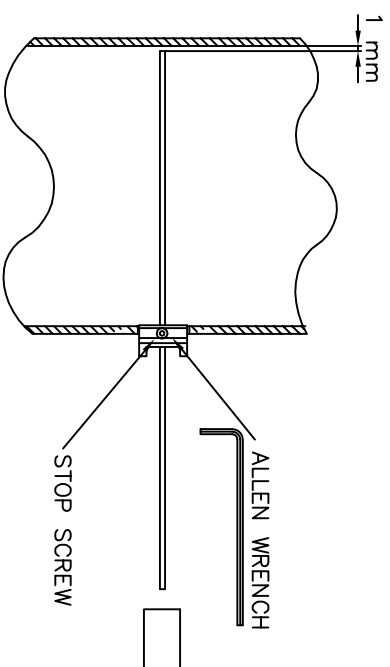


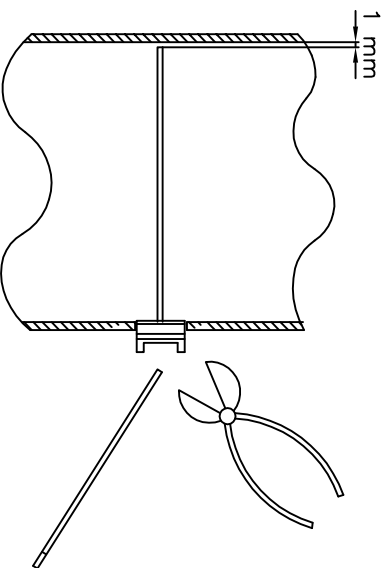
① INSERT THE HOLDER IN THE  $\varnothing 20$ -HOLE.



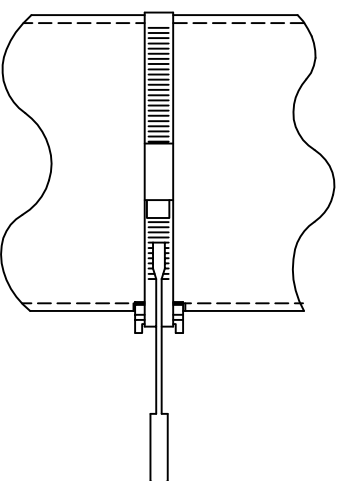
② INSERT THE REFERENCE PIN CAREFULLY IN THE HOLDER UNTIL THE PIN GET IN TOUCH WITH THE PIPE INSIDE.



③ WITHDRAW THE REF.PIN 1 MM, KEEP IT IN POSITION AND TIGHT THE STOP SCREW. (YOU CAN PEN MARK THE POSITION OF THE PIN)



④ CUT THE REF.PIN CLOSE TO THE HOLDER



⑤ TIGHT THE CLAMP CAREFULLY TO SECURE THE UNIT ON THE STILL PIPE.

# Product Discontinued

ISSUED BY	WEEK	PRODUCT CODE	FILE	ACAD	INSTALLATION DRAWING TITLE
CU-LE	0015	REX			MECHANICAL INST.DWG
APPROVED BY	WEEK	ORIGINAL DWG NO.	SCALE		REFERENCE PIN TO STILL PIPE
GST	0015	9150 072-922			
ROSEMOUNT®		1 <sup>ST</sup> ANGLE	DOC TYPE	DWG NO.	ISSUE
Tank Gauging			2	9150 072-922	3
					SHEET
					1/1

THE COMPANY ASSUMES NO RESPONSIBILITY FOR THIS DOCUMENT IF ANY WILL BE QUOTED OR USED WITHOUT OUR AUTHORIZATION OR SUBJECT TO THE KNOWLEDGE OF A THIRD PARTY. COMMUNICATION WILL BE PROSECUTED. ROSEMOUNT TANK GAUGING AB, SWEDEN.