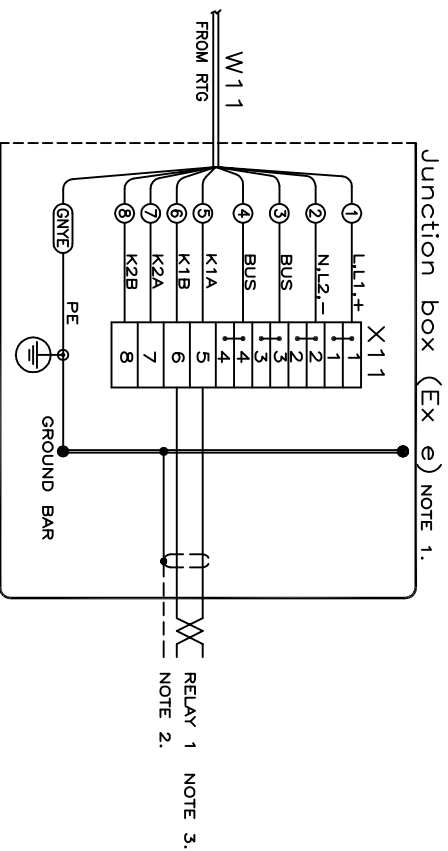


RELAY 1 CONNECTION
Supply & Communications Connections



- ③ RELAY RATING: MAX 250VAC/4A (RESISTIVE LOAD)
THE RELAY OUTPUTS MAY BE INTERNALLY WIRED FOR NORMALLY CLOSED OR NORMALLY OPEN OPERATION. REFER TO THE INSTALLATION MANUAL.
- ② SHIELDED CABLE RECOMMENDED FOR VALID EMC PERFORMANCE ACC TO EN 50082-2
SHIELD CONNECTION ONLY AT ONE END OTHERWISE A GROUND LOOP WITH CIRCULATING CURRENT MAY OCCUR.
- ① JBI (Junction Box Integrated) Ex e/ WIRE TERMINAL (X11) AWG 20-12 OR 0.5-4 SQMM.
OPTIONAL: 2.5m FLYING LEADS FOR EXTERNAL JUNCTION BOX (CUSTOMER OR RTR SUPPLY)
DEPENDS ON NATIONAL CODE OF PRACTICE.

Product Discontinued

ISSUED BY	WEEK	PRODUCT CODE	FILE	ACAD	INSTALLATION DRAWING TITLE
GU-HF	0114	REX		SCALE	ELECTRICAL INSTALLATION DWG, REX
APPROVED BY	WEEK	ORIGINAL DWG NO.		1:1	RELAY 1 CONNECTION, W11/X11
CU-LN	0114	9150072-933		1 ST ANGLE	
ROSEMOUNT				DOC TYPE	DWG NO.
Tank Gauging				2	9150072-933
				ISSUE	SHEET
				3	1/1

THE COMPANY ACCEPTS NO RESPONSIBILITY FOR THE DOCUMENTS AND WILL SQUARELY DENY THE RESPONSIBILITY IF NOT USED WITHOUT OUR AUTHORIZATION OR SUBJECT TO THE KNOWLEDGE OF A THIRD PARTY. COMMUNICATION WILL BE PROSECUTED. ROSEMOUNT TANK GAUGING AB, SWEDEN.