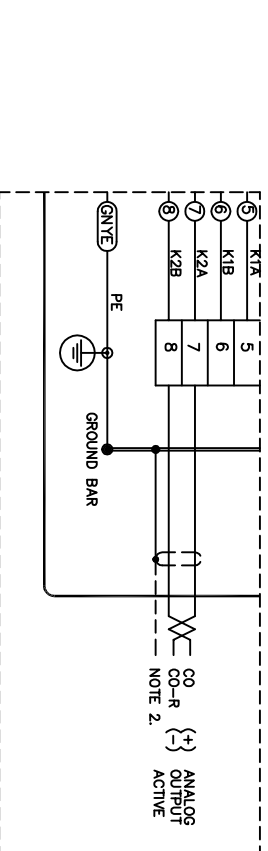
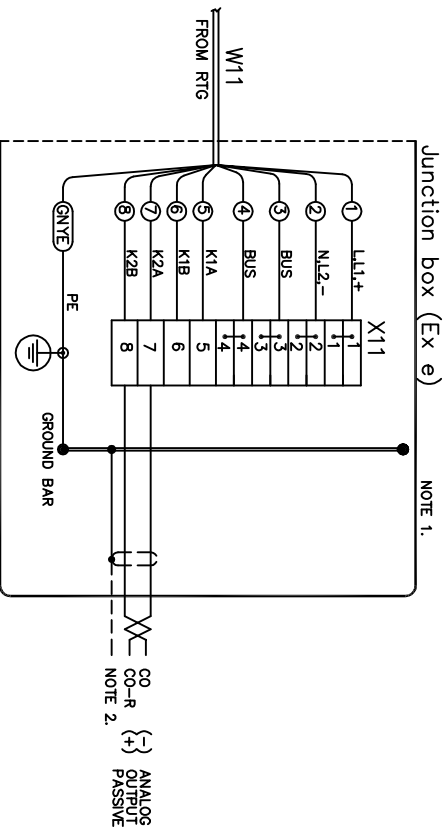


ANALOG OUTPUT CONNECTION
Supply & Communications Connections



- ③ ANALOG OUTPUT ALTERNATIVE OPTIONS:
PASSIVE OUTPUT (DEFAULT). VOLTAGE COMPLIANCE: 5–30V
ACTIVE OUTPUT. MAX LOAD: 500OHM
CHANGE OF CONFIGURATION (ACTIVE/PASSIVE) SEE SERVICE MANUAL.
- ② SHIELDED CABLE RECOMMENDED FOR VALID EMC PERFORMANCE ACC TO EN 50082-2
SHIELD CONNECTION ONLY AT ONE END OTHERWISE A GROUND LOOP WITH
CIRCULATING CURRENT MAY OCCUR.
- ① JBI (Junction Box Integrated) Ex e/ WIRE TERMINAL (X11) AWG 20–12 OR 0.5–4 SQMM,
OPTIONAL. 2.5m PILING LEADS FOR EXTERNAL JUNCTION BOX (CUSTOMER OR RTR SUPPLY)
DEPENDS ON NATIONAL CODE OF PRACTICE.

Product Discontinued

ISSUED BY	WEEK	PRODUCT CODE	FILE	ACAD	INSTALLATION DRAWING TITLE
GU-HF	0114	REX			ELECTRICAL INSTALLATION DWG, REX
APPROVED BY	WEEK	ORIGINAL DWG NO.		SCALE	ANALOG OUTPUT CONNECTION, W11/X11
GU-LN	0114	9150072-934		1:1	
				1 ST ANGLE	
				DOC TYPE	DWG NO.
				2	9150072-934
				ISSUE	SHEET
				3	1/1

ROSEMOUNT
Tank Gauging

THE COMPANY ASSUMES NO RESPONSIBILITY FOR THE ACCURACY OF THIS DRAWING. THE USER SHALL VERIFY THE DIMENSIONS AND MATERIALS AND SHALL BE RESPONSIBLE FOR THE USE OF THIS DRAWING WITHOUT OUR AUTHORIZATION OR REFERENCE TO THE KNOWLEDGE OF A THIRD PARTY. COMMUNICATION WILL BE PROSECUTED. ROSEMOUNT TANK GAUGING AB, SWEDEN.