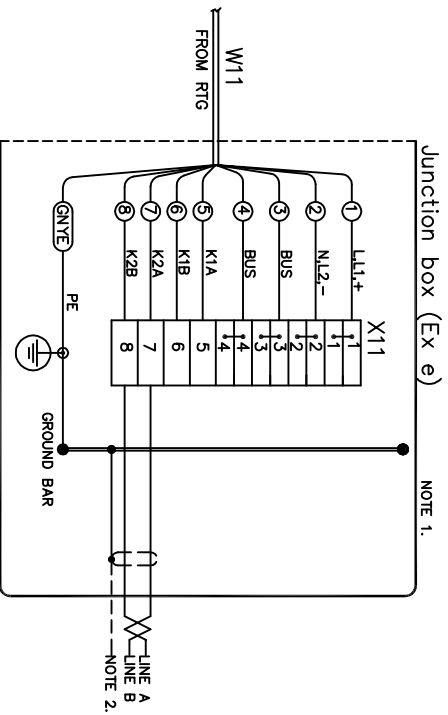


PROFIBUS DP CONNECTION  
Supply & Communications Connections



- ② SHIELDED CABLE RECOMMENDED FOR VALID EMC PERFORMANCE ACC TO EN 50082-2  
SHIELD CONNECTION ONLY AT ONE END OTHERWISE A GROUND LOOP WITH  
CIRCULATING CURRENT MAY OCCUR.
- ① JBI (Junction Box Integrated) Ex e/ WIRE TERMINAL (X11) AWG 20-12 OR 0.5-4 SQMM.  
OPTIONAL, 2.5m FLYING LEADS FOR EXTERNAL JUNCTION BOX (CUSTOMER OR RTR SUPPLY)  
DEPENDS ON NATIONAL CODE OF PRACTICE.

**Product Discontinued**

ISSUED BY	WEEK	PRODUCT CODE	FILE	ACAD	INSTALLATION DRAWING TITLE
GU-HF	0243	REX			ELECTRICAL INSTALLATION DWG, REX
APPROVED BY	WEEK	ORIGINAL DWG NO.		SCALE	PROFIBUS DP CONNECTION. (W11/X11)
GU-LN	0243	9150072-939			
ROSEMOUNT		1 <sup>ST</sup> ANGLE		DOC TYPE	DWG NO.
Tank Gauging				2	9150072-939
					ISSUE SHEET
					2 1/1

THE COMPANY ASSUMES NO RESPONSIBILITY FOR THE ACCURACY OF THIS DOCUMENT. THE USER SHALL BE RESPONSIBLE FOR THE ACCURACY OF THE INFORMATION CONTAINED HEREIN. THE USER SHALL BE RESPONSIBLE FOR THE ACCURACY OF THE INFORMATION CONTAINED HEREIN. THE USER SHALL BE RESPONSIBLE FOR THE ACCURACY OF THE INFORMATION CONTAINED HEREIN.