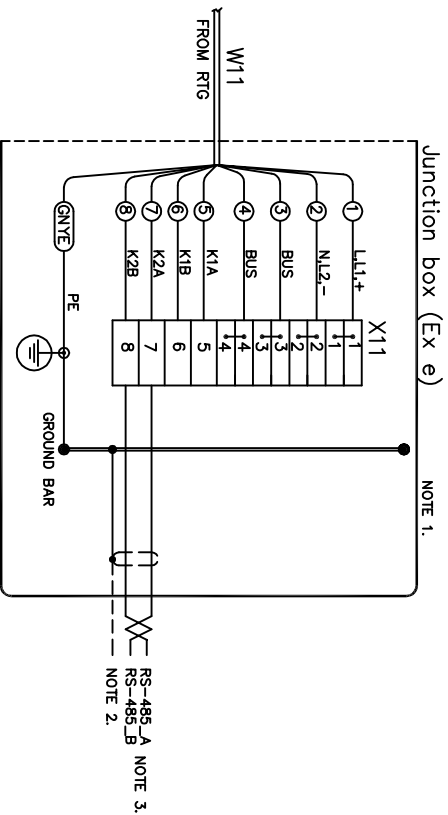


RS-485 CONNECTION  
Supply & Communications Connections



- ③ CABLE: SINGLE TWISTED, PREFERABLY SHIELDED PAIR. INDIVIDUAL SHIELDING IS MANDATORY WHERE TWO BUSES RUN ALONGSIDE. MIN WIRE AREA: AWG 20/0,5 SQMM.
- ② SHIELDED CABLE RECOMMENDED FOR VALID EMC PERFORMANCE ACC TO EN 50082-2. SHIELD CONNECTION ONLY AT ONE END OTHERWISE A GROUND LOOP WITH CIRCULATING CURRENT MAY OCCUR.
- ① JB1 (Junction Box Integrated) Ex e/ WIRE TERMINAL (X11) AWG 20-12 OR 0,5-4 SQMM. OPTIONAL: 2,5m FLTING LEADS FOR EXTERNAL JUNCTION BOX (CUSTOMER OR RTR SUPPLY) DEPENDING ON NATIONAL CODE OF PRACTICE.

Product Discontinued

ISSUED BY	WEEK	PRODUCT CODE	FILE	ACAD	INSTALLATION DRAWING TITLE
GU-HF	0243	REX			ELECTRICAL INSTALLATION DWG, REX
APPROVED BY	WEEK	ORIGINAL DWG NO.		SCALE	RS485 CONNECTION, SEC. BUS. W11/X11
CU-LN	0243	9150072-949			
<b>ROSEMOUNT</b>				1 <sup>ST</sup> ANGLE	DOC TYPE
Tank Gauging					DWG NO.
					9150072-949
					ISSUE
					2
					SHEET
					1/1