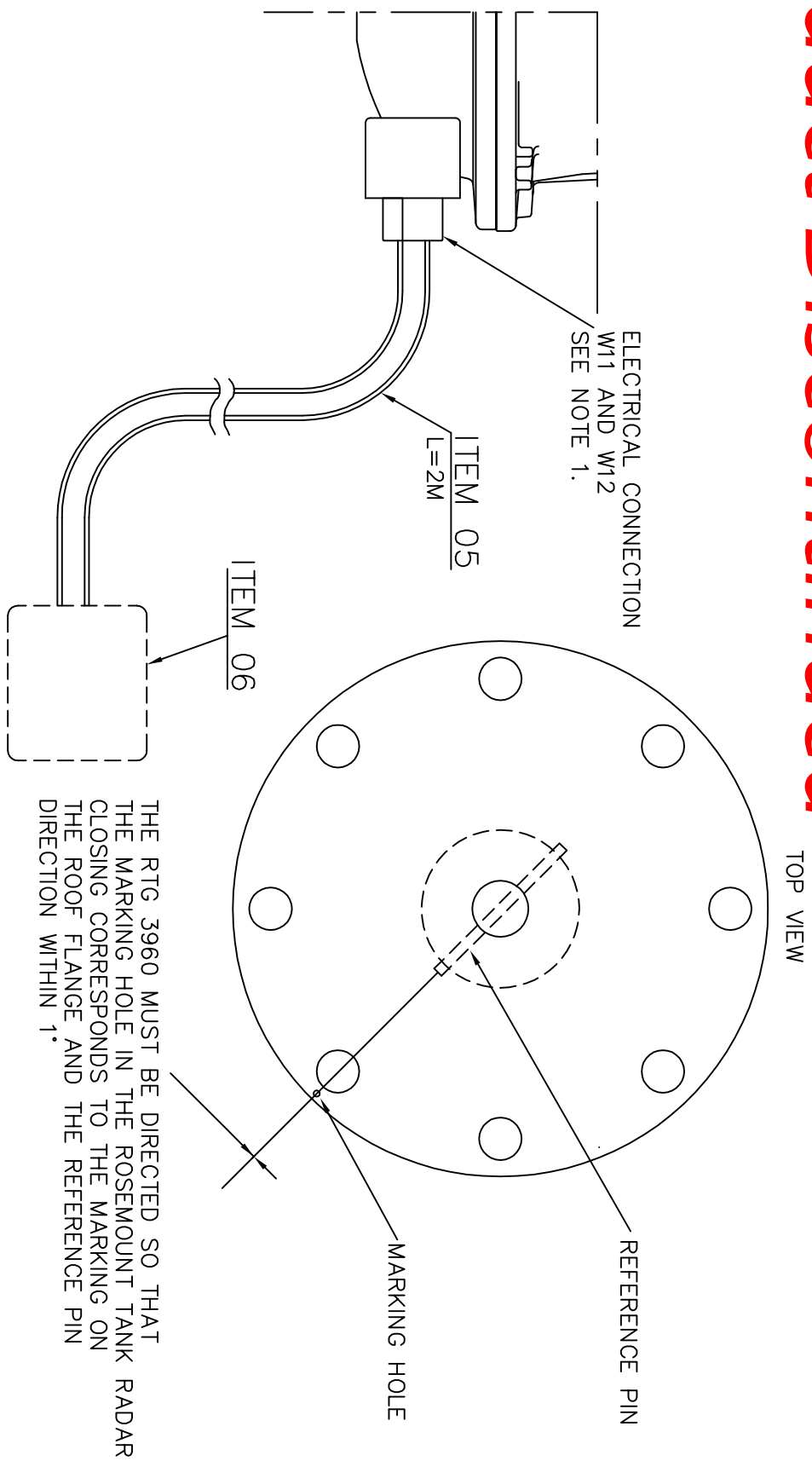
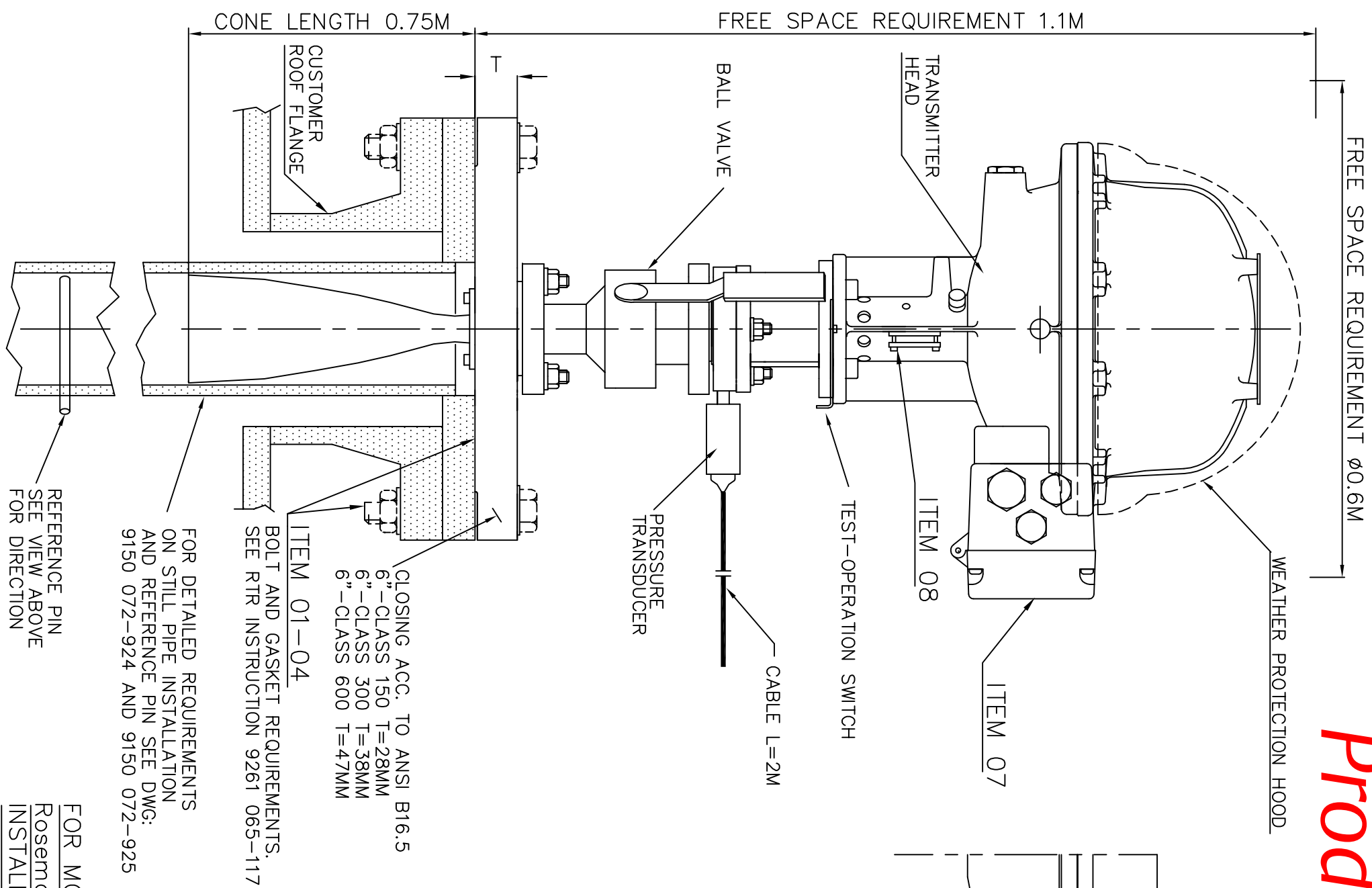


Product Discontinued



- ① ELECTRICAL CONNECTION IN TRANSMITTER HEAD:
 W1: NON-INTRINSICALLY SAFE CONNECTION
 CONDUIT THREAD: FEMALE NPT 3/4"
 W12: INTRINSICALLY SAFE CONNECTION
 CONDUIT THREAD: FEMALE NPT 3/4"

08	GROUND CONNECTION (TO BE USED ACCORDING TO NATIONAL CODE OF PRACTISE)	ROSEMOUNT TANK RADAR			
07	INTEGRATED JUNCTION BOX	ROSEMOUNT TANK RADAR (OPTION JB)			
06	Exe, Exi OR EXPLOSION PROOF JUNCTION BOX DEPENDING ON NATIONAL CODE OF PRACTISE	CUSTOMER (ROSEMOUNT TANK RADAR OPTION)			
05	CABLE PROTECTION HOSE OR EXPLOSION PROOF CONDUIT DEPENDING ON NATIONAL CODE OF PRACTISE	CUSTOMER (ROSEMOUNT TANK RADAR OPTION HOSE KIT)			
04	GASKET, SOFT OR METALLIC TYPE	CUSTOMER			
01-03	SCREW/NUT/WASHER ACC TO FLANGE STD	CUSTOMER			
POS	ITEM DESCRIPTION	SUPPLIER			
ISSUED BY	WEEK	PRODUCT CODE	FILE	ACAD	INSTALLATION DRAWING TITLE
GU-HF	0011	REX			MECHANICAL INSTALLATION DWG
APPROVED BY	WEEK	ORIGINAL DWG NO.	SCALE		LPG/LNG GAUGE RTG 3960
GU-LN	0011	9150 072-986	-		
			1 ST ANGLE	DOC TYPE	DWG NO.
				2	9150 072-986
				ISSUE	SHEET
				3	1/1