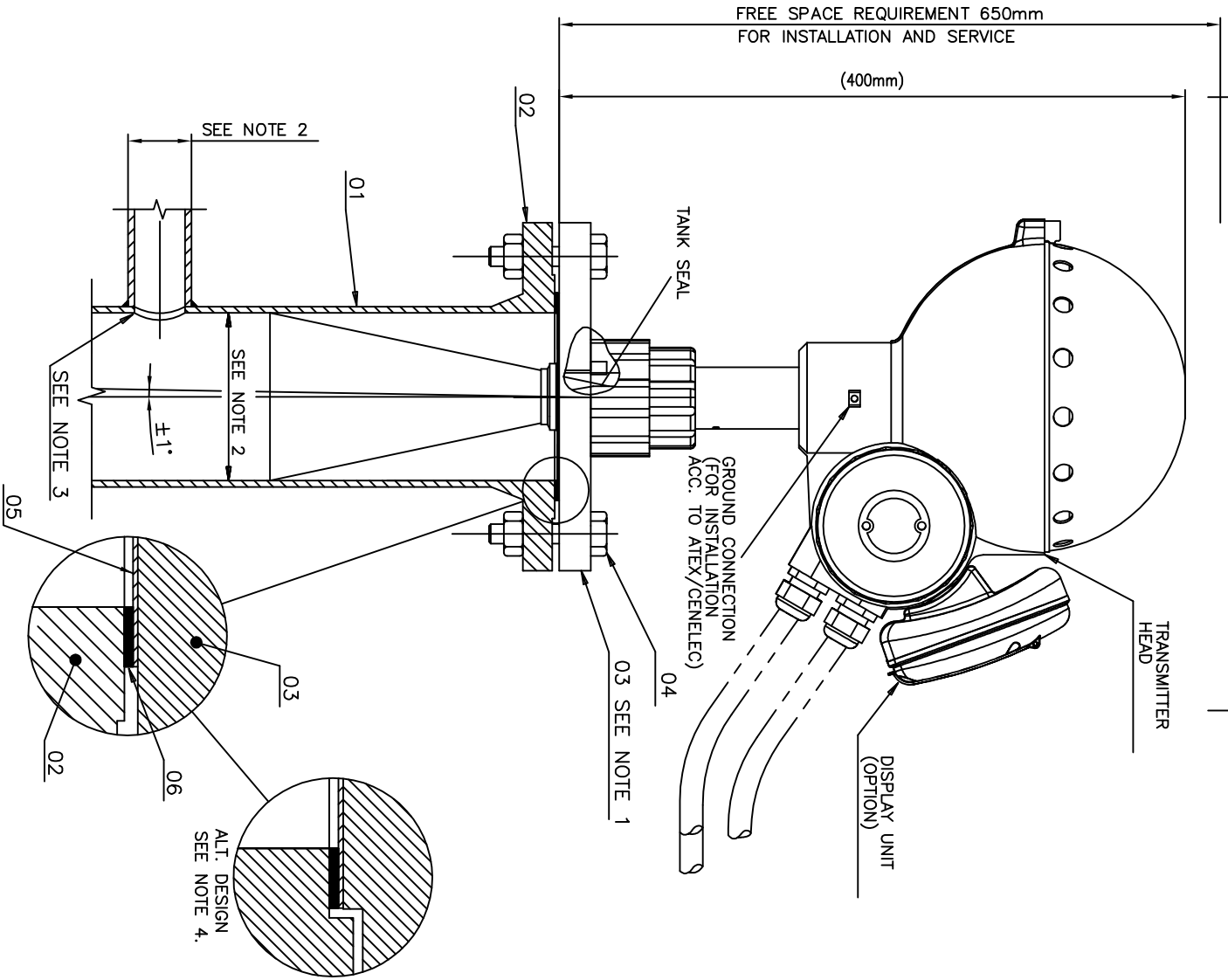


FREE SPACE REQUIREMENT 650mm FOR INSTALLATION AND SERVICE

(400mm)

FREE SPACE REQUIREMENT 650mm FOR INSTALLATION AND SERVICE



VIEW FROM TOP

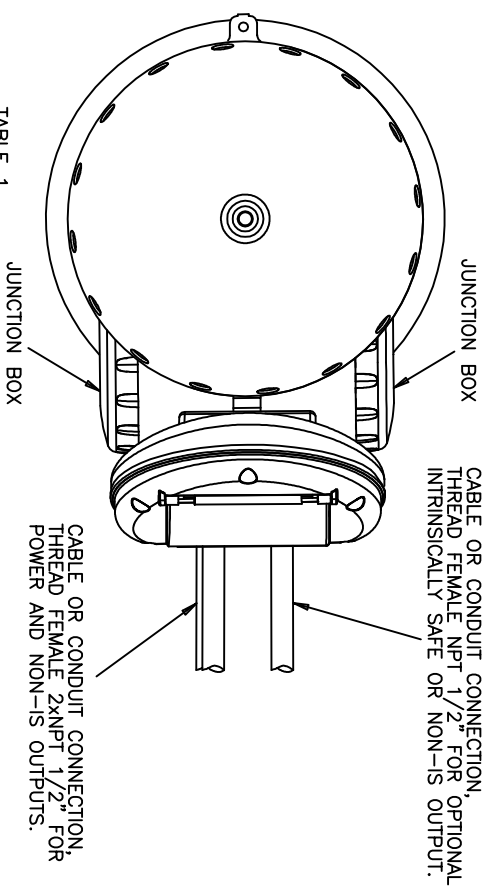


TABLE 1.

FLANGE SIZE DN / ANSI	ANTENNA SIZE ϕD (MAX)	ANTENNA PLATE OD ϕ (mm)
80 / 3"	70	95
100 / 4"	93	150
150 / 6"	141	260
200 / 8"	189	375

- ① OUTSIDE DIAMETER OF GASKET AND ANTENNA PLATE SHALL BE ADJUSTED TO FIT GASKET SURFACE OF THE FLANGE.
- ② FOR BEST PERFORMANCE: CONNECTION INLETS SHALL NOT PROTRUDE INTO THE INSIDE OF STAND PIPE. STAND PIPE TO BE CLEAN INSIDE AND FREE FROM DISTURBING OBJECTS. NO BURRS etc.
- ③ NORMALLY A GAP OF 10MM IS ALLOWED BETWEEN CONE AND PIPE IF THE INLET PIPE DIAMETER IS < 1 1/2". FOR INLET PIPES > 2" THE ALLOWED GAP IS REDUCED TO MAX 1MM.
- ④ PRESSURE AND TEMP RATING: FOR PRESSURE APPLICATIONS, CALCULATION OF FLANGE THICKNESS HAS TO BE DONE WITH RESPECT TO FLANGE MATERIAL, GASKET TYPE AND BOLTING. MAX ALLOWABLE RATING FOR ANTENNA TANK SEAL ARE DEPENDING ON THE SEAL TYPE AND O-RING SELECTION.

POS	ITEM DESCRIPTION	QTY	REMARK	CUSTOMER
06	GASKET	1	SEE NOTE 1 AND 4.	CUSTOMER
05	ANTENNA PLATE	1	DIMENSIONS, SEE TABLE 1.	RTR
04	BOLTING	1	ACC TO FLANGE STD	CUSTOMER
03	FLANGE WITH CENTRE HOLE $\phi 34 \pm 0.3mm$. THICKNESS: Max 42mm	1	FLANGE DIMENSIONS ACC TO: EN1092-1, DN80-DN200, ANSI B16.5, 3"-8"	CUSTOMER
02	PIPE FLANGE	1	P/T RATING, SEE NOTE 1.	CUSTOMER
01	STAND PIPE (BRIDLE)	1		CUSTOMER

ISSUED BY	WEEK	PRODUCT CODE	FILE	ACAD
GU-HF	0307	PRO/5600		

APPROVED BY	WEEK	ORIGINAL DWG NO.	SCALE
GST-TK	0307	9150074-941	

ISSUED BY	WEEK	PRODUCT CODE	FILE	ACAD
ROSEMOUNT	1	ST ANGLE		

APPROVED BY	WEEK	ORIGINAL DWG NO.	SCALE
ROSEMOUNT	2	9150074-941	

ISSUED BY	WEEK	PRODUCT CODE	FILE	ACAD
ROSEMOUNT	2	PRO/5600		