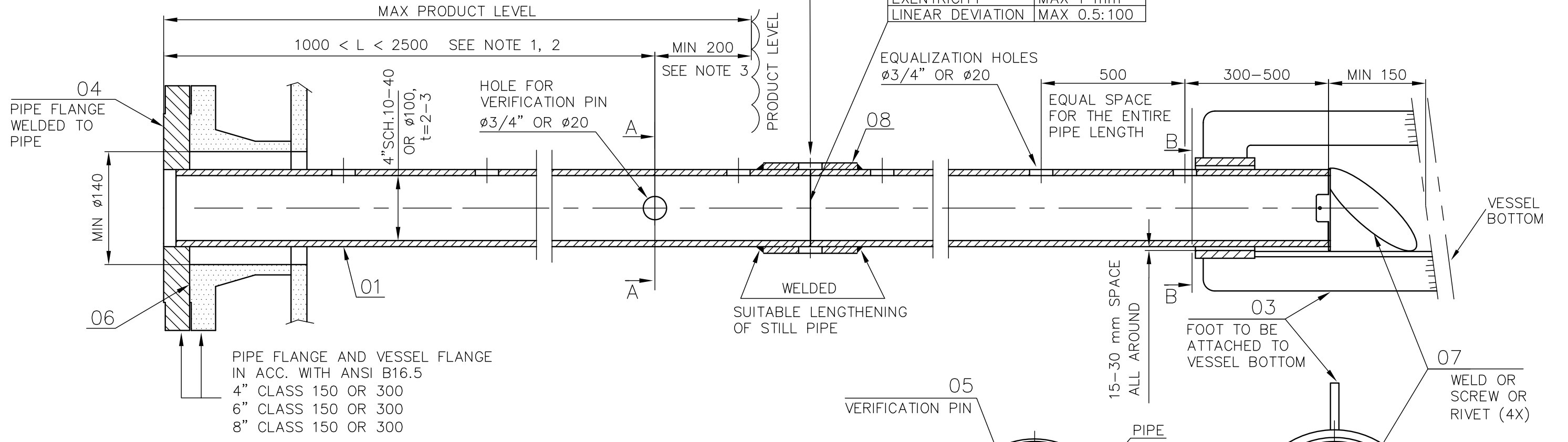


HOLE 2 X Ø20 FOR INSPECTION OF PIPE JOINT

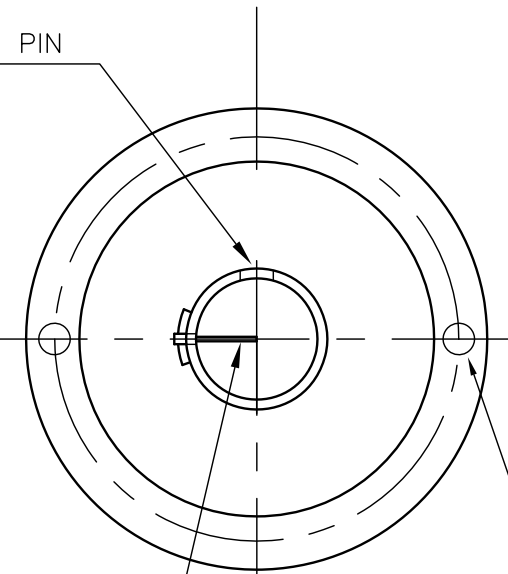
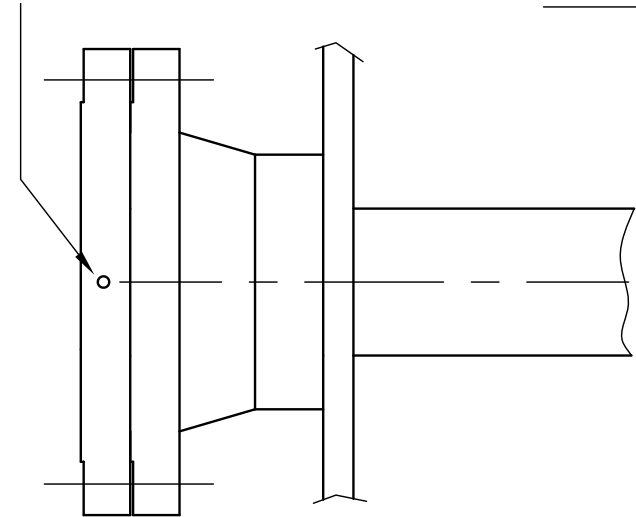
PIPE JOINT TOLERANCES	
END GAP	MAX 1 mm
EXENTRICITY	MAX 1 mm
LINEAR DEVIATION	MAX 0.5:100



PIPE FLANGE AND VESSEL FLANGE IN ACC. WITH ANSI B16.5
 4" CLASS 150 OR 300
 6" CLASS 150 OR 300
 8" CLASS 150 OR 300

MARKING IN PIPE FLANGE CORRESPONDING TO VERIFICATION PIN.

THE EQUALIZATION HOLES MUST BE ORIENTATED 90° FROM THE VERIFICATION PIN

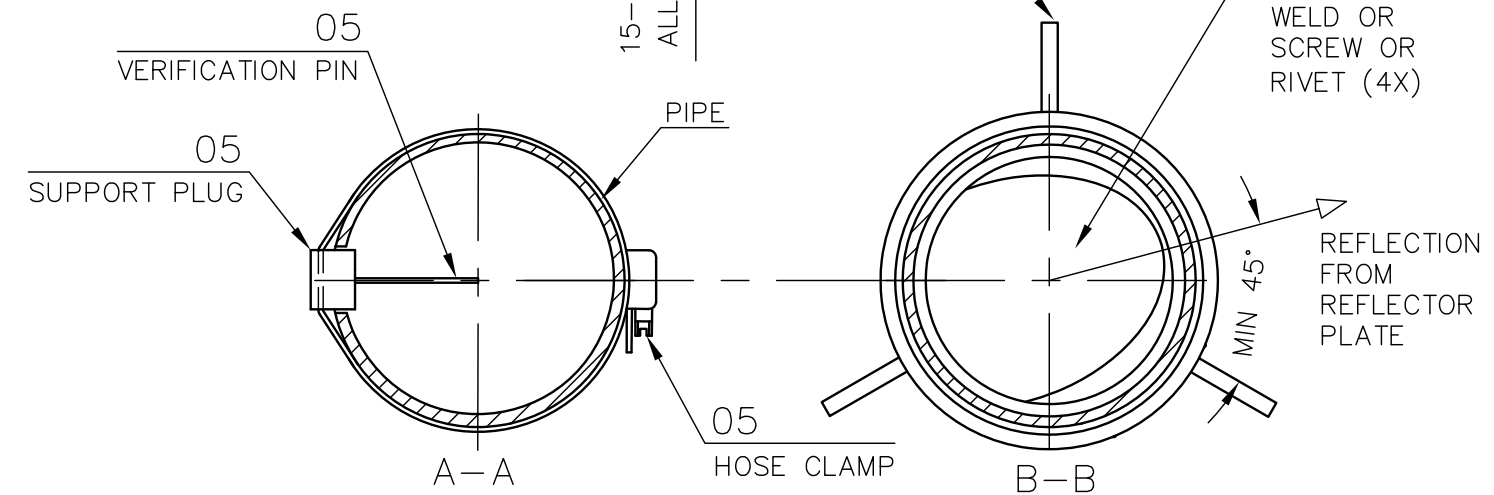


MAX ANGLE DEVIATION BETWEEN VERIFICATION PIN AND FLANGE MARKING IS 5°

HOLE IN CUSTOMER FLANGE

IMPORTANT:
 VERIFICATION PIN MUST BE DIRECTED TOWARDS ONE BOLT HOLE IN CUSTOMERS FLANGE. MARKING MUST BE DONE TO INDICATE THE POSITION OF THE VERIFICATION PIN AND THE CORRESPONDING FLANGE HOLE WITHIN 5°. THIS MARKING IS TO BE USED DURING MOUNTING OF THE RTG.

FOR DETAILED REQUIREMENTS ON STILL PIPE INSTALLATION, VERIFICATION PIN AND REFLECTOR KIT SEE DOCUMENT D9240041-915.



- 3. FOR SIL INSTALLATION: MIN. 500 MM
- 2. RECOMMENDATION: L = 1200
- 1. FOR INSULATED CRYOGENIC TANKS: 1000 < L < 5000

POS	ITEM DESCRIPTION	QTY	REMARK	SUPPLIER
08	OUTER SLEEVE	1	STAINLESS STEEL	CUSTOMER
07	REFLECTOR KIT	1	STAINLESS STEEL	RTR
06	GASKET	1	SOFT OR FLEXIBLE METALLIC TYPE	CUSTOMER
05	VERIFICATION PIN KIT	1	STAINLESS STEEL	RTR
04	PIPE FLANGE	1	STAINLESS STEEL	CUSTOMER
03	FOOT	3	STAINLESS STEEL	CUSTOMER
02	MOVING JOINT (RING/PIPE)	4	STAINLESS STEEL	CUSTOMER
01	STILL PIPE	1	STAINLESS STEEL	CUSTOMER

ISSUED BY EMe-BL	WEEK 1033	PRODUCT CODE 5900	FILE ACAD	INSTALLATION DRAWING TITLE MECHANICAL INSTALLATION DWG
APPROVED BY EMe-MH	WEEK 1043	ORIGINAL DWG NO. -	SCALE -	5900 LPG/LNG STILL PIPE ATTACHED TO PIPE FLANGE
ROSEMOUNT®			1 ST ANGLE	DOC TYPE 2
			DWG NO. D9240041-910	ISSUE 02
				SHEET 1/1

THE COPYRIGHT/OWNERSHIP OF THIS DOCUMENT IS AND WILL REMAIN OURS. THE DOCUMENT MUST NOT BE USED WITHOUT OUR AUTHORIZATION OR BROUGHT TO THE KNOWLEDGE OF A THIRD PARTY. CONTRAVENTION WILL BE PROSECUTED. ROSEMOUNT TANK RADAR AB, SWEDEN.

2013-12-11 Electronic Master - PRINTED COPIES ARE UNCONTROLLED - Rosemount Propriety