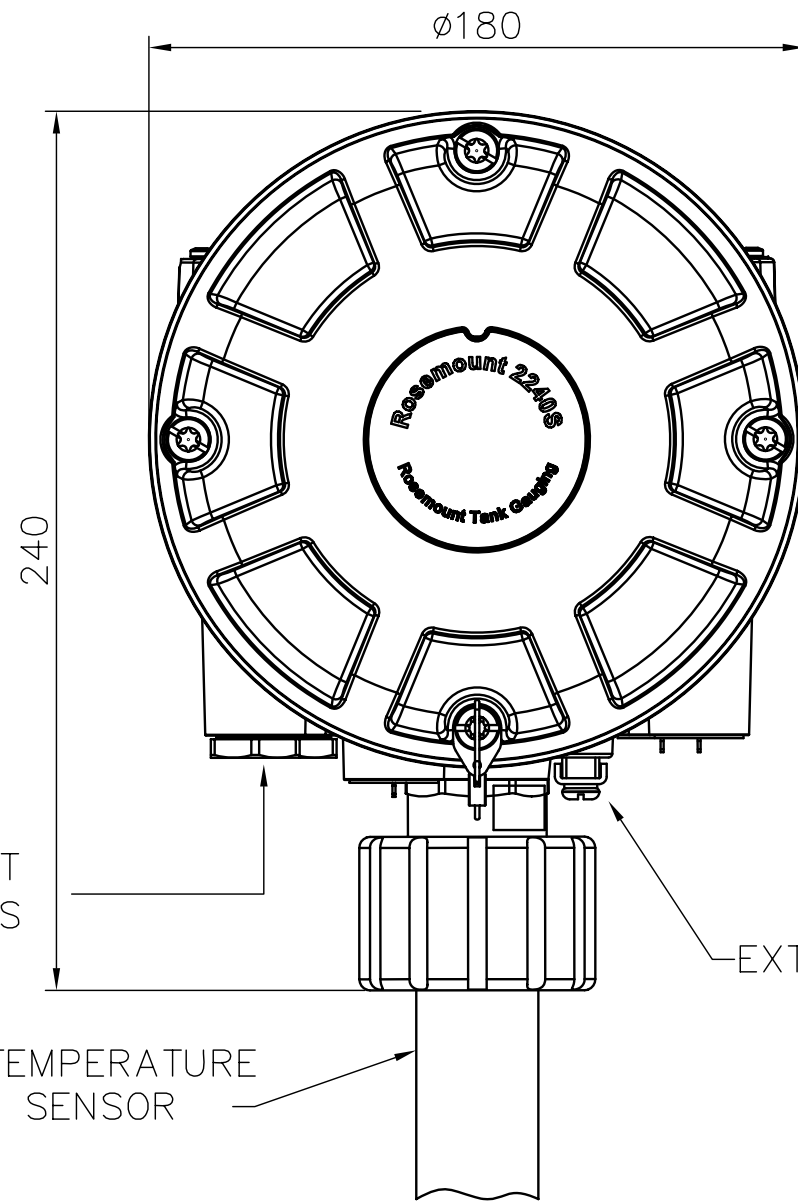
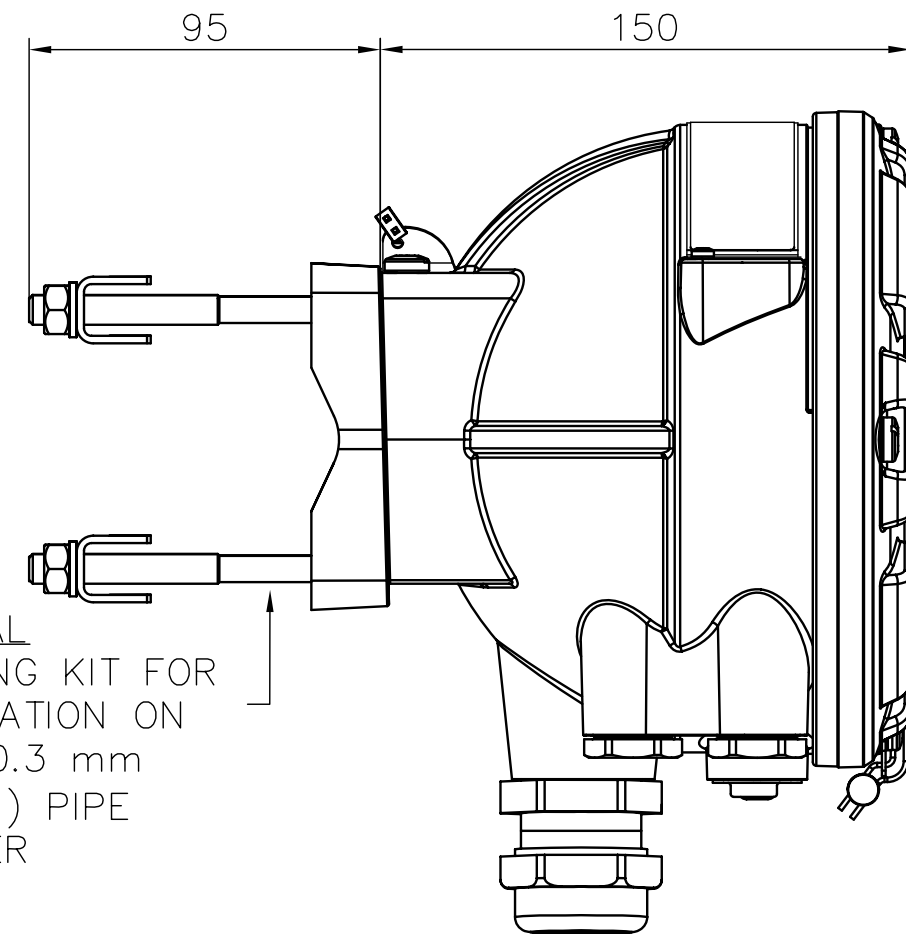


5X 1/2"-14 NPT
GLAND/CONDUIT ENTRIES

MULTIPLE SPOT TEMPERATURE
AND WATER LEVEL SENSOR



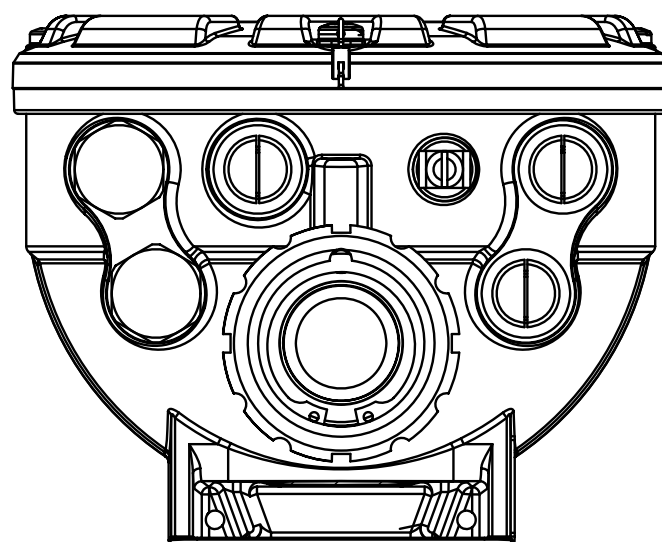
REMOTE MOUNTING



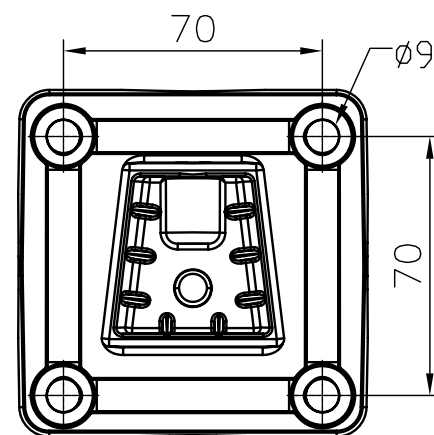
OPTIONAL
MOUNTING KIT FOR
INSTALLATION ON
33.4-60.3 mm
(1-2 in.) PIPE
DIAMETER

EXTERNAL GROUND

VIEW FROM BELOW WITHOUT
MOUNTING BRACKET.



HOLE PATTERN WHEN
INSTALLING ON A WALL.



- * PLASTIC PLUGS TO BE REMOVED AT INSTALLATION.
- * UNUSED ENTRIES SHALL BE PLUGGED WITH METAL PLUGS.
- * IT IS RECOMMENDED THAT A SEALANT OF TYPE PTFE IS USED TO PREVENT WATER INGRESS AND TO ENABLE FUTURE REMOVAL OF THE PLUG/GLAND.
- * ENSURE THAT GLANDS MEET REQUIREMENTS FOR IP CLASS 66 AND 67.

ISSUED BY EMe-BL	WEEK 1038	PRODUCT CODE 2240	FILE ACAD	INSTALLATION DRAWING TITLE MECHANICAL INSTALLATION DWG ROSEMOUNT 2240S			
APPROVED BY EMe-MH	WEEK 1040	ORIGINAL DWG NO.	SCALE -	DOC TYPE 02	DWG NO. 9240041-912	ISSUE 01	SHEET 01/01
ROSEMOUNT Tank Gauging				1 ST ANGLE 	THE COPYRIGHT/OWNERSHIP OF THIS DOCUMENT IS AND WILL REMAIN OURS. THE DOCUMENT MUST NOT BE USED WITHOUT OUR AUTHORIZATION OR BROUGHT TO THE KNOWLEDGE OF A THIRD PARTY. CONTRAVENTION WILL BE PROSECUTED. ROSEMOUNT TANK RADAR AB, SWEDEN.		