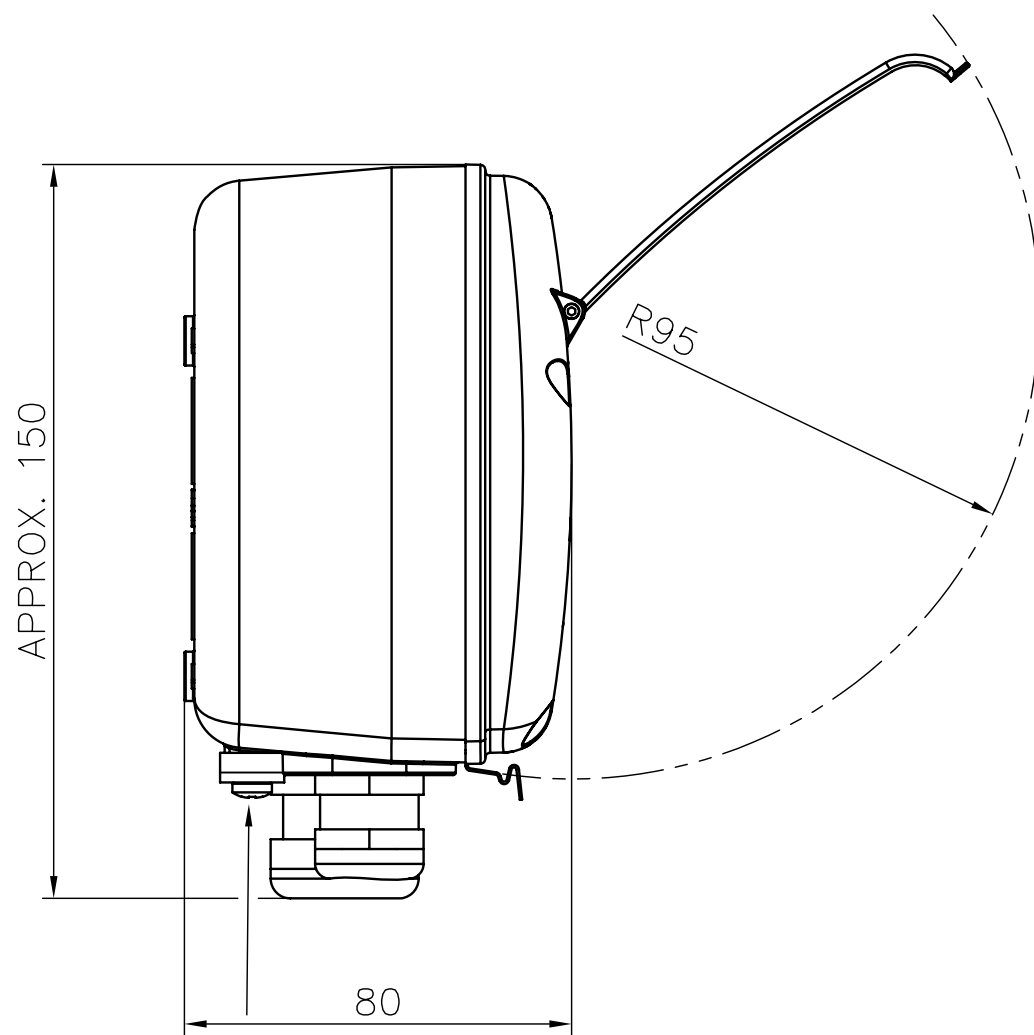


APPROX. 150

INLET CABLE ENTRY
THREAD M25

INLET CABLE ENTRY (2X)
THREAD M20

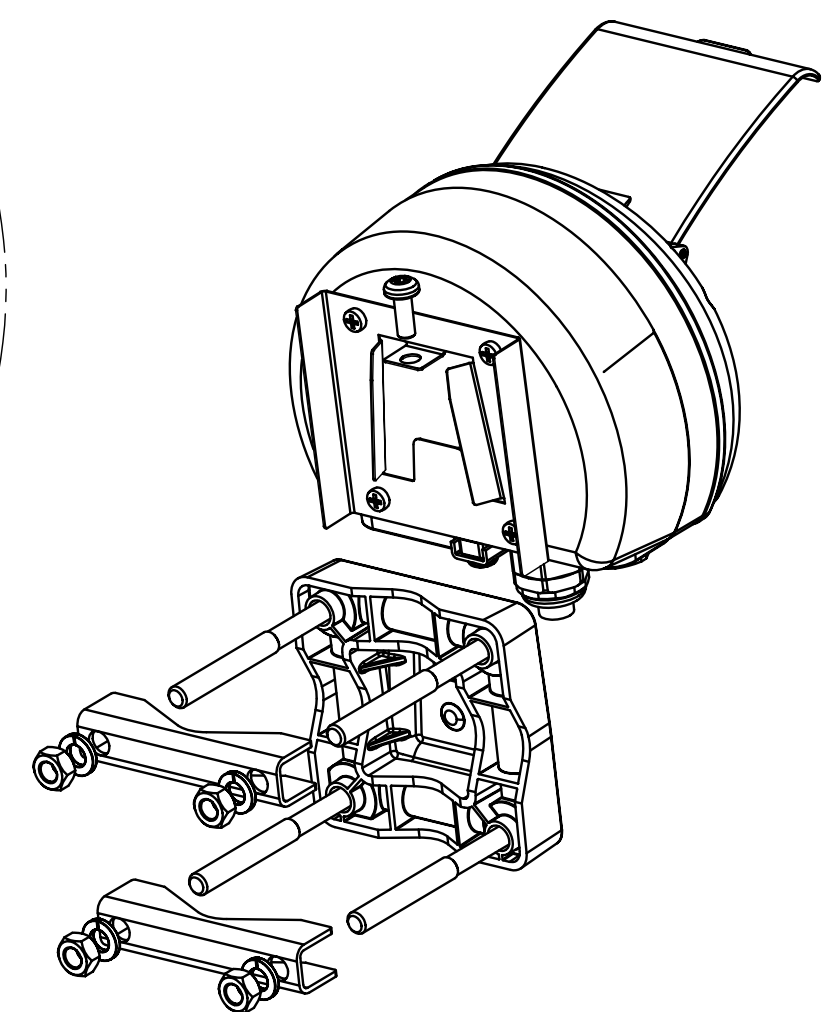


APPROX. 150

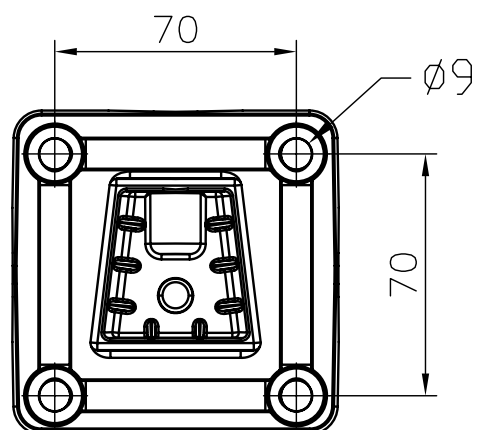
R95

80

EARTH CLAMP

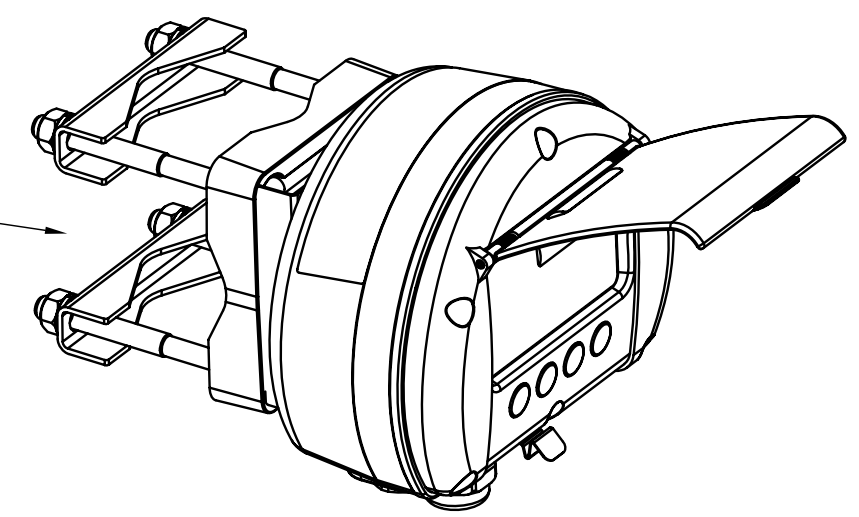


HOLE-PATTERN WHEN
INSTALLING ON A WALL.
(OPTIONAL) SUPPLIED BY RTR



MOUNTING KIT FOR INSTALLATION
ON 33.4–60.3 mm (1–2 in.) PIPE
DIAMETER

(OPTIONAL) SUPPLIED BY RTR



- * PLASTIC PLUGS TO BE REMOVED AT INSTALLATION.
- * UNUSED ENTRIES SHALL BE PLUGGED WITH METAL PLUGS.
- * ENSURE THAT GLANDS MEET REQUIREMENTS FOR IP CLASS 66 AND 67.

ISSUED BY EMe-BL	WEEK 1038	PRODUCT CODE 2230	FILE ACAD	INSTALLATION DRAWING TITLE			
APPROVED BY EMe-MH	WEEK 1040	ORIGINAL DWG NO.	SCALE -	MECHANICAL INSTALLATION DWG 2230 GRAPHICAL FIELD DISPLAY			
ROSEMOUNT Tank Gauging			1 ST ANGLE	DOC TYPE 02	DWG NO. 9240041-913	ISSUE 01	SHEET 01/02
			THE COPYRIGHT/OWNERSHIP OF THIS DOCUMENT IS AND WILL REMAIN OURS. THE DOCUMENT MUST NOT BE USED WITHOUT OUR AUTHORIZATION OR BROUGHT TO THE KNOWLEDGE OF A THIRD PARTY. CONTRAVENTION WILL BE PROSECUTED. ROSEMOUNT TANK RADAR AB, SWEDEN.				