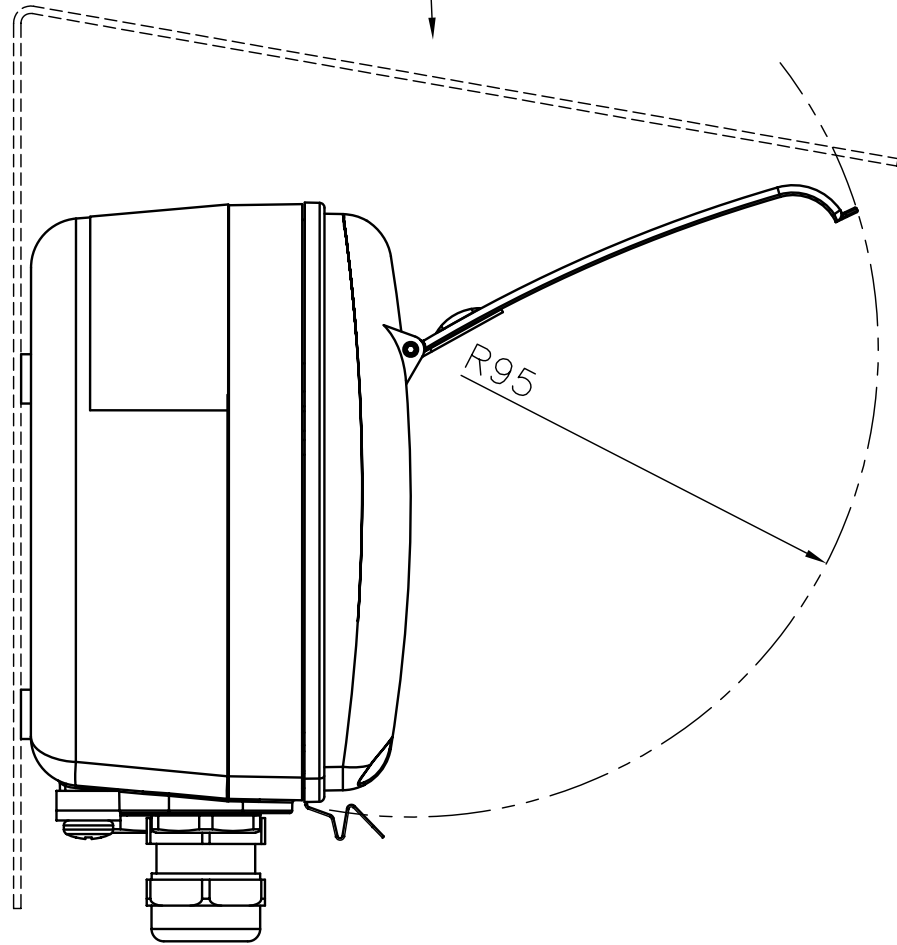
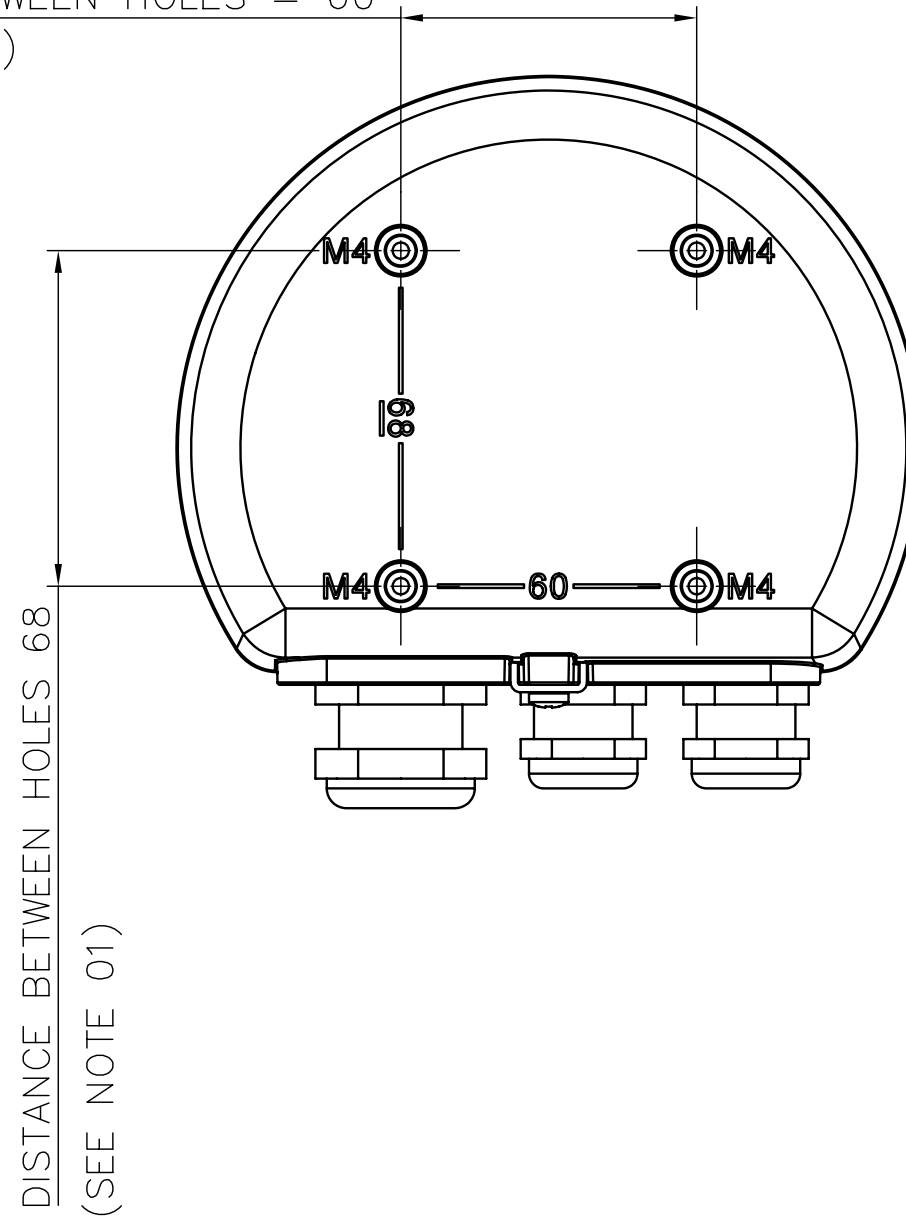


WEATHER PROTECTION  
(OPTIONAL)



DISTANCE BETWEEN HOLES = 60  
(SEE NOTE 01)



01 DRILL PATTERN FOR MOUNTING OF WEATHER PROTECTION.  
MAXIMUM DEPTH OF HOLES IS 10 mm.  
4 PCS M4X12 SUPPLIED BY RTR.

ISSUED BY Eme-BL	WEEK 1038	PRODUCT CODE 2230	FILE ACAD	INSTALLATION DRAWING TITLE			
APPROVED BY EMe-MH	WEEK 1040	ORIGINAL DWG NO.	SCALE -	MECHANICAL INSTALLATION DWG 2230 GRAPHICAL FIELD DISPLAY			
<b>ROSEMOUNT</b> Tank Gauging			1 ST ANGLE 	DOC TYPE 02	DWG NO. 9240041-913	ISSUE 01	SHEET 02/02
<small>THE COPYRIGHT/OWNERSHIP OF THIS DOCUMENT IS AND WILL REMAIN OURS. THE DOCUMENT MUST NOT BE USED WITHOUT OUR AUTHORIZATION OR BROUGHT TO THE KNOWLEDGE OF A THIRD PARTY. CONTRAVENTION WILL BE PROSECUTED. ROSEMOUNT TANK RADAR AB, SWEDEN.</small>							