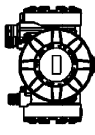
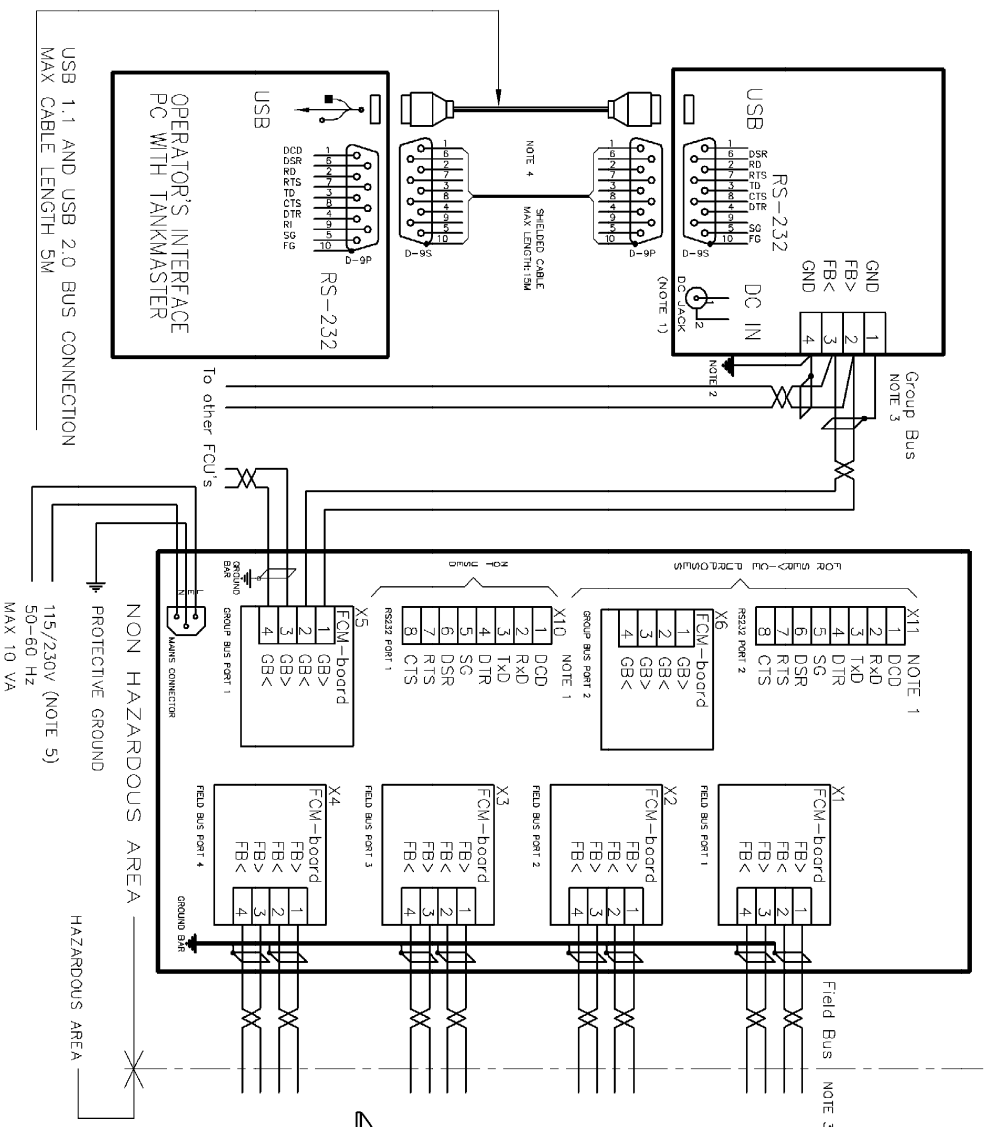
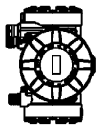


2180 FBM

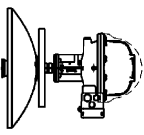
2160 FCU



2410 Tank Hub



2410 Tank Hub



REX RTG

- AN EXTERNAL DC POWER SOURCE IS REQUIRED TO SUPPLY THE FIELD BUS MODEM ONLY FOR RS-232 OPERATION. USE THE RTR SUPPLIED UNIT 8853502-070 OR ANY OTHER AC/DC ADAPTER (7-12V, 0.1A) WITH A 5.5mm DC PLUG.
- GROUND CONNECTION FOR OVERVOLTAGE PROTECTION.
- TRL/2 BUS TO FCU OR FIELD DEVICES (HUB / RTG / IDAU), SINGLE TWISTED SHIELDED PAIR, POLARITY INDEPENDENT. INDIVIDUAL SHIELDING IS MANDATORY IF TWO BUSES RUN IN THE SAME CABLE.
RECOMMENDED WIRING LENGTH:
AWG 24 (0.25 MM2): < 1KM
AWG 22 (0.35 MM2): < 2KM
AWG 20 (0.50 MM2): < 3KM
AWG 18 (0.75 MM2): < 4KM
- USB AND RS-232 ARE ALTERNATIVE BUS-CONNECTIONS.
- MAINS VOLTAGE SELECTOR ON PCB.

ISSUED BY	WEEK	PRODUCT CODE	FILE
EME-BL	1107	5900	ACAD
APPROVED BY	WEEK	ORIGINAL DWG NO.	SCALE
EE-MK	1108		
1 ST ANGLE		DOC TYPE	DWG NO.
ROSEMOUNT		02	9240041-948
Tank Gauging		ELECTRICAL INSTALLATION DRAWING	
		2410 Tank Hub - 2160 FCU	
ISSUE	SHEET		
01	01/01		