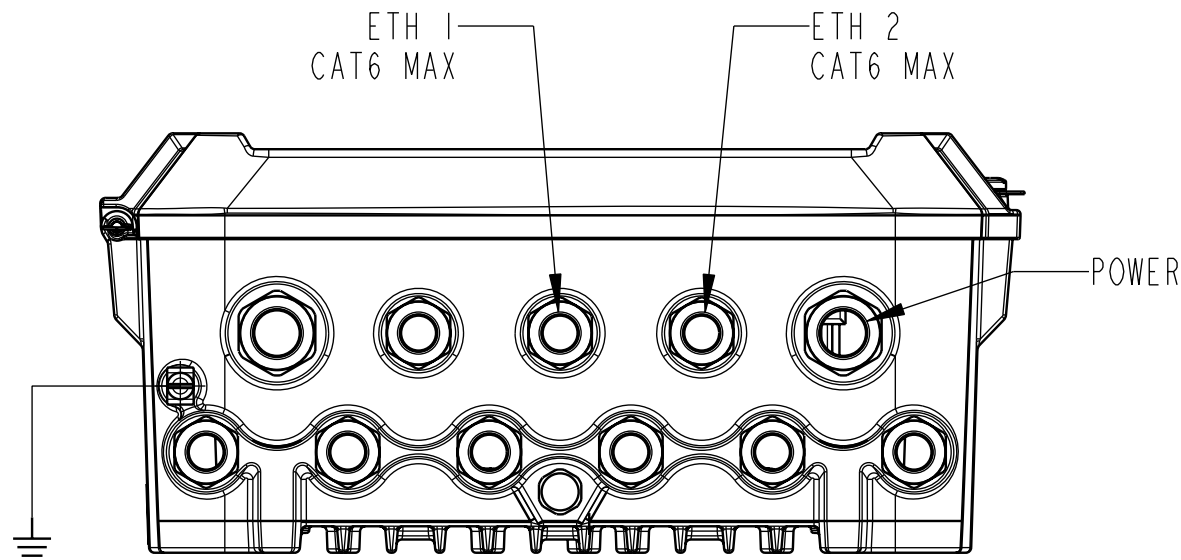


EXTERNAL GROUND SCREW M5
CABLE LUG THICKNESS MAX 4mm
AND HEIGHT MAX 10mm
MIN 4mm² OR AWG 11



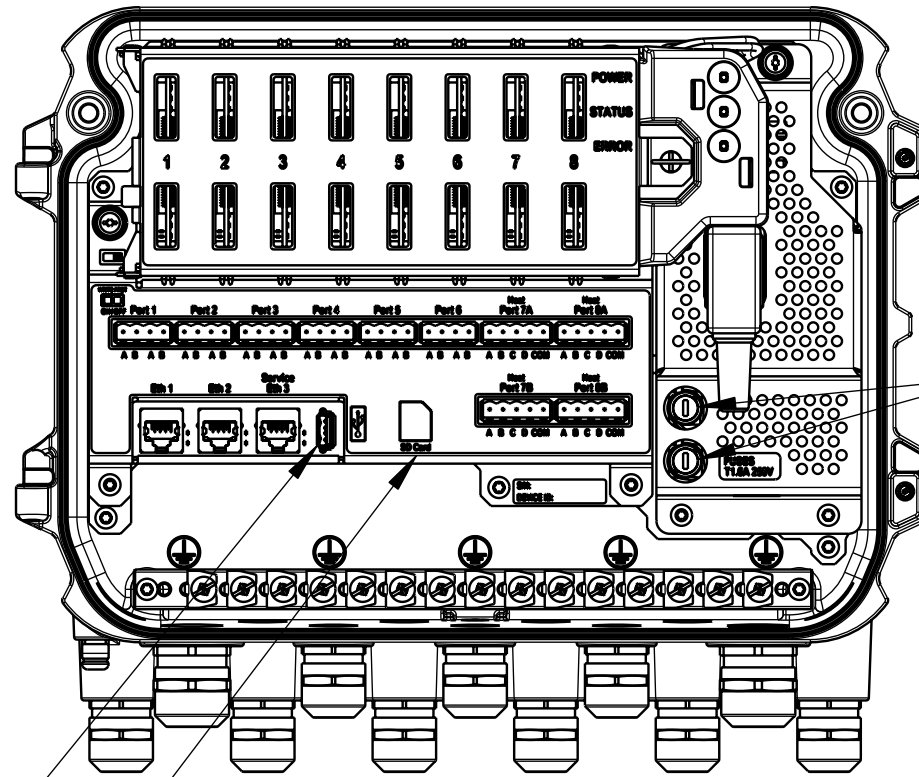
CABLE DIAMETER FOR GLANDS SUPPLIED BY RTR		
THREAD	M20	M25
CABLE Ø	6-13mm	9-17mm

RECOMMENDED TIGHTENING TORQUE FOR GLANDS SUPPLIED BY RTR		
PART NUMBER	6853512-473	6853512-472
THREAD	M20	M25
BODY	7Nm	10Nm
HAT	4Nm	7Nm

POWER CORD CONNECTOR SUPPLIED BY RTR	
WIRE SIZE (3X)	MAX 2.1mm ² (AWG 14)
CABLE SIZE	MAX 10mm

CABLE TERMINAL BLOCKS SUPPLIED BY RTR		
CONDUCTOR CONNECTION	MAXIMUM	AWG
SOLID	4mm ²	11
FLEXIBLE	2.5mm ²	13
FLEXIBLE, FERRULE WITH PLASTIC COLLAR	1.5mm ²	16

SCREW M2,5 TIGHTENING TORQUE 0.4Nm MAX 0.5Nm



FUSES
T1.6A 250V
5x20mm GLASS

USB-A 2.0

SD-CARD

NO LID ASSEMBLED IN THIS VIEW

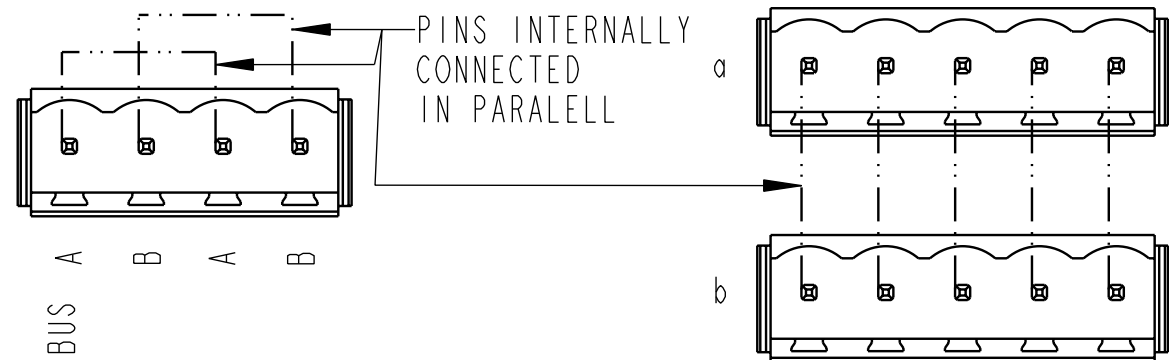
1 USE EXTERNAL CIRCUIT BREAKER FOR SAFE DISCONNECTION OF POWER SUPPLY

ISSUED BY EMe-CL-C	DRAWN WEEK 1326	PRODUCT CODE 2460	 ROSEMOUNT [®] GAMLESTADSVÄGEN 18 B, S-402 51 GÖTHEBURG, SWEDEN
APPROVED BY EMe-MH	APP'D WEEK 1414	DOCUMENT TYPE 02	
ORIGINAL DRAWING NO. D7000001-928	SIZE A3	1 ST ANGLE 	SCALE -
CAD MAINTAINED, (PRO/E)		DO NOT SCALE PRINT	
THE COPYRIGHT/OWNERSHIP OF THIS DOCUMENT IS AND WILL REMAIN OURS. THE DOCUMENT MUST NOT BE USED WITHOUT AUTHORIZATION OR BROUGHT TO THE KNOWLEDGE OF A THIRD PARTY. CONTRAVENTION WILL BE PROSECUTED. ROSEMOUNT TANK RADAR AB, SWEDEN			
INSTALLATION DRAWING TITLE EL. INST. DWG 2460 SYSTEM HUB			DRAWING NO. D7000001-928
			ISSUE SHEET 04 1/2

BUS CONNECTIONS

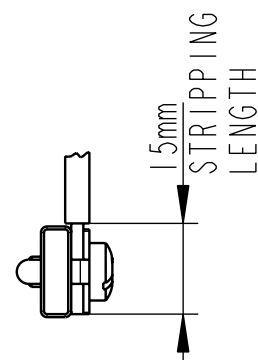
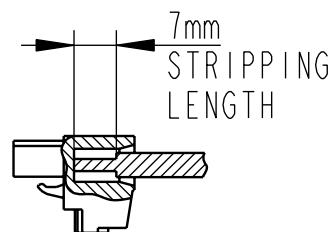
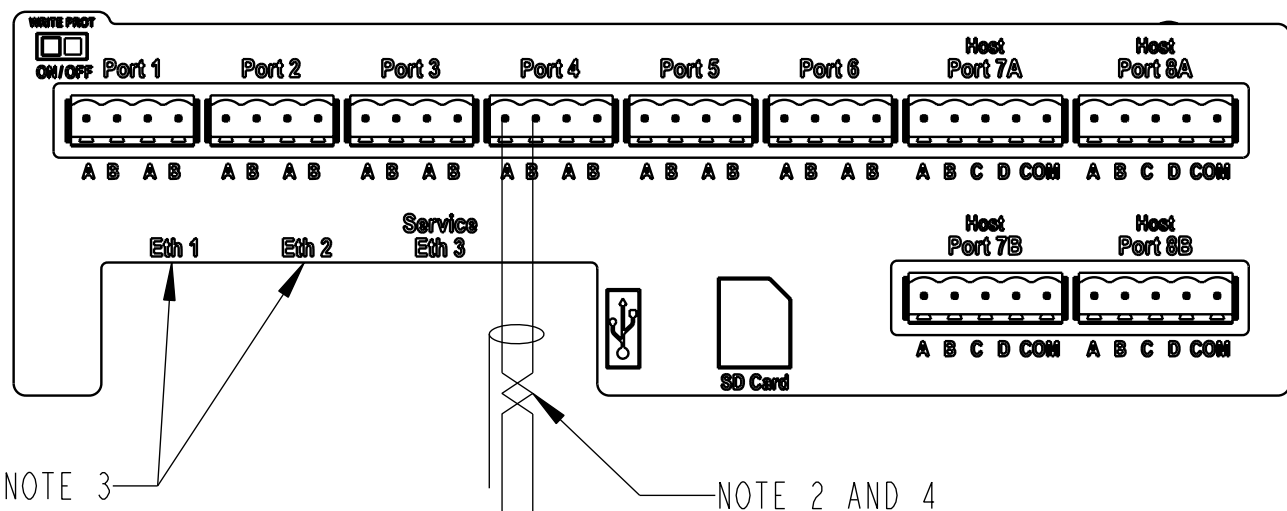
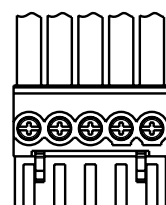
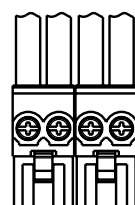
PORT 1-6

PORT 7-8



	A	B	A	B
TRL/2	NOTE 5	NOTE 5	NOTE 6	NOTE 6
RS-485 (2-WIRE) NOTE 7 AND 8	A	B	NOTE 6	NOTE 6
ENRAF	NOTE 5	NOTE 5	NOTE 6	NOTE 6

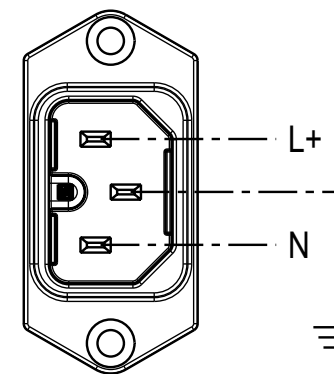
	A	B	C	D	COM
TRL/2	NOTE 5	NOTE 5	N/A	N/A	N/A
RS-485/422 (2-WIRE), NOTE 8	R/T+ (A)	R/T- (B)	N/A	N/A	GND
RS-485/422 (4-WIRE), NOTE 8	R+ (A')	R- (B')	T+ (A)	T- (B)	GND
RS-232	RxD	TxD	N/A	N/A	GND



SIGNAL AND SHIELD GROUND BAR

POWER CONNECTION

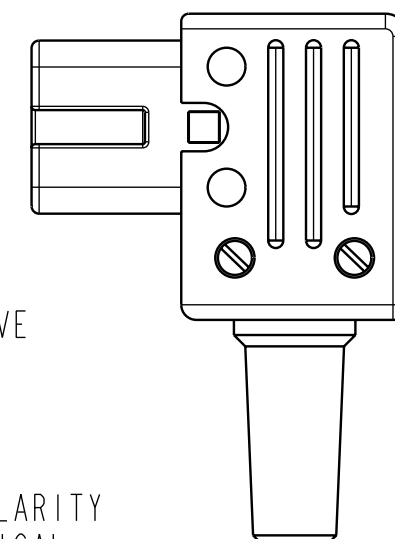
SUPPLIED BY RTR



24-48VDC
100-250VAC
50-60Hz
MAX 20W

PROTECTIVE GROUND

NOTE: POLARITY NOT CRITICAL FOR DC-VOLTAGE INPUT



HANDLE PLUG ABOVE -25°C (TYPICALLY AT INSTALLATION)

POWER CONNECTOR SUPPLIED BY RTR	MAX TORQUE
TERMINALS	0.8Nm
CABLE CLAMP	1.2Nm
COVER	1.2Nm

- 9 FOR BEST EMC PERFORMANCE KEEP ALL SHIELD CONNECTIONS AS SHORT AS POSSIBLE
- 8 FOR MODEM CONFIGURATION AND TERMINATION, SEE MANUAL
- 7 INTERNALLY REFERENCED TO SIGNAL GROUND
- 6 FOR DAISY CHAIN
- 5 POLARITY INDEPENDENT
- 4 SINGLE TWISTED SHIELDED PAIR, INDIVIDUAL SHIELDING IS MANDATORY IF TWO BUSES RUN IN THE SAME CABLE
- 3 FUNCTIONALITY ON ETH 1 AND 2 DEPENDING ON MODEL CODE
- 2 CONNECT SHIELD TO GROUND AT ONE END ONLY, OTHERWISE A GROUND LOOP MAY OCCUR.
- 1 KEEP INSULATION PRESERVED IN AREA AROUND HOUSING INLETS TO AVOID CONTACT BETWEEN CABLES AND SHARP EDGES. THE SHIELD MUST BE ISOLATED FROM THE HOUSING.

ISSUED BY EMe-CL-C	DRAWN WEEK 1326	PRODUCT CODE 2460	ROSEMOUNT® <small>GAMLESTADSVÄGEN 18 B, S-402 51 GOTHENBURG, SWEDEN</small>
APPROVED BY EMe-MH	APP'D WEEK 1414	DOCUMENT TYPE 02	
ORIGINAL DRAWING NO. D7000001-928	SIZE A3	1 ST ANGLE 	SCALE -
CAD MAINTAINED, (PRO/E)		DO NOT SCALE PRINT	
THE COPYRIGHT/OWNERSHIP OF THIS DOCUMENT IS AND WILL REMAIN OURS. THE DOCUMENT MUST NOT BE USED WITHOUT AUTHORIZATION OR BROUGHT TO THE KNOWLEDGE OF A THIRD PARTY. CONTRAVENTION WILL BE PROSECUTED. ROSEMOUNT TANK RADAR AB, SWEDEN			
INSTALLATION DRAWING TITLE EL. INST. DWG 2460 SYSTEM HUB			DRAWING NO. D7000001-928
		ISSUE 04	SHEET 2/2