

# Roxar 2" System Double Block and Bleed Service Valve



In order to meet increased safety requirements, Roxar developed the double block and bleed service valve, and standardized on the double block and bleed valve for both hydraulic and mechanical retrieval tool system <sup>1)</sup>

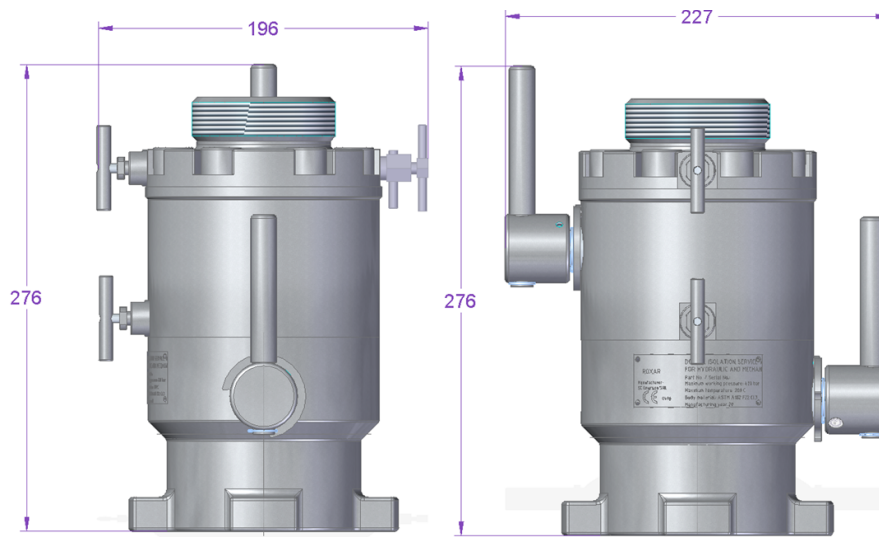
The Roxar Double Block and Bleed valve is compatible with 2" access fitting systems provided by most common corrosion monitoring system providers.

Roxar 2" system service valves:

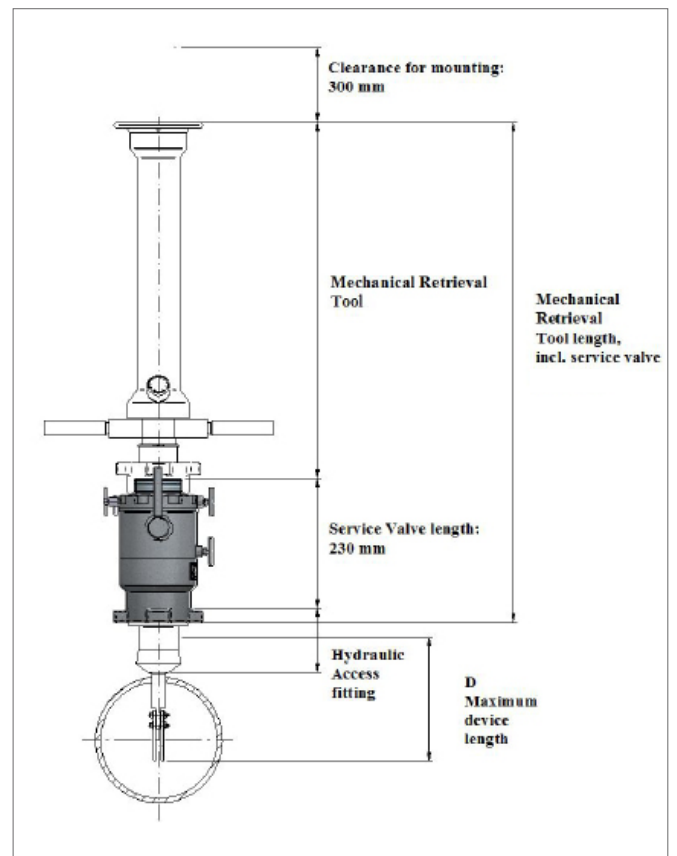
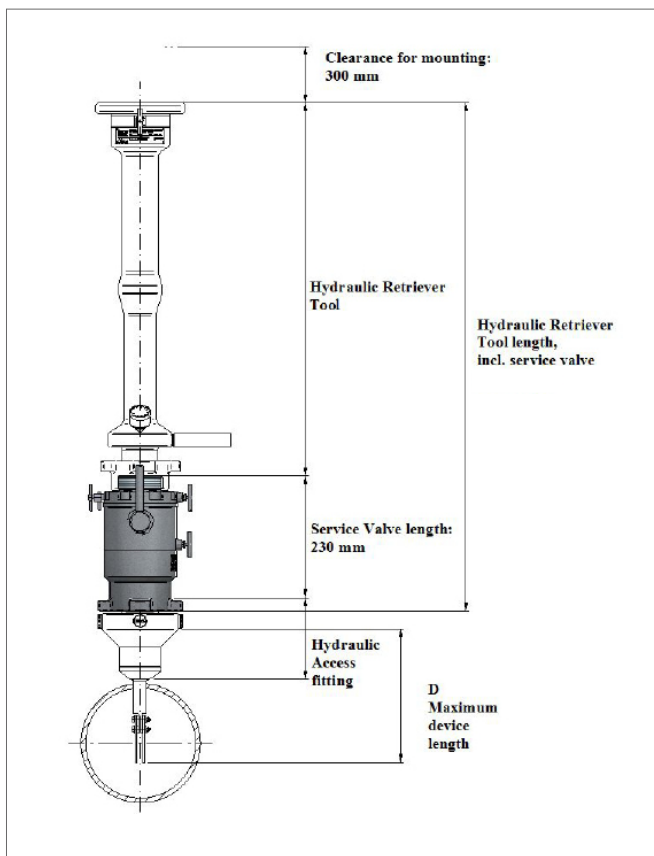
- Pressure rating 6,000 or 10,000 psi
- Compatible with 2" mechanical system and 2" hydraulic access and retrieval system
- Temperature rating 204 °C/400 F

**Safety Note:** High pressure retrieval tools should only be used by trained personnel and strictly according to controlled operating procedures.

<sup>1)</sup> Single block and bleed valve is available upon request with 6,000 psi pressure rating.



Dimensions for the double block and bleed valve



Double block and bleed valve - with Roxar Hydraulic Retrieval tool (left) and Roxar Mechanical Retrieval tool (right)

## Model Code Selector - Roxar Service Valves

Model	Product Description	
SRV	Service Valve for Retrieval Tool	
Code	Pressure Rating	
1	Max 6,000 psi Design Pressure	
2 <sup>1,2</sup>	Max 10 000 psi Design Pressure	
Code	Valve Design	
A	Single Isolation Service Valve	
B	Double Isolation Service Valve	
Code	Valve Material (Main Components)	
1B3A	ASTM A182 F22 Main Body, Alloy 17-4PH (UNS S17400) Ball	EN 10204 3.1 NACE MR0175
9X9X <sup>1</sup>	Project Specific Material	
Code	Operating mode and conditions	
01	Standard	Viton O-rings, PTFE 25% GF Ball Seat, SS Wave Spring Washer
02	Rapid Gas Decompression	FR 25/90 O-rings, PTFE 25% GF Ball Seat, SS Wave Spring Washer
03	Rapid Gas Decompression and/or 100 % Methanol	Elast-O-Lion 101 O-rings, PTFE 25% GF Ball Seat, SS Wave Spring Washer
Code	Approvals	
M	ROXAR Standard (no 3rd party approval)	
N	PED Compliant Service Valve	
Code	Tag Plates	
ZZ	No Tag Plates	
TG	Standard Tag Plates	
XX <sup>1</sup>	Project Specific Tag Plates	
Code	Factory Options	
Z	Standard product	
X	ETO product	
Code	Certificate, Tests, Calibrations and Services (Not Required, all are optional)	
Other Testing		
TX <sup>1</sup>	Project-specific testing	

<sup>1</sup> Not Available with factory Option Z

<sup>2</sup> Not available with Approvals option N, PED compliant Service Valve

---

**Head Office Roxar products:**  
Tel: +47 51 81 88 00  
E-mail: [info.roxar@emerson.com](mailto:info.roxar@emerson.com)  
[www.EmersonProcess.com/Roxar](http://www.EmersonProcess.com/Roxar)

**CIS**  
Tel: +7 495 504 3405

**Europe**  
Tel: +47 51 81 88 00

**North America**  
Tel: +1 281 879 2600

**Middle East**  
Tel: +971 4 811 8100

**Asia Pacific**  
Tel: +60 3 2177 4450

**Australia**  
Tel: +61 8 9208 1600

**Latin America**  
Tel: +55 21 2217 8600

©2016 Emerson Electric Co. All rights reserved.

The Emerson logo is a trademark and service mark of Emerson Electric Co. Brand name is a mark of one of the Emerson Process Management family of companies. All other marks are the property of their respective owners.

The contents of this publication are presented for information purposes only, and while effort has been made to ensure their accuracy, they are not to be construed as warranties or guarantees, express or implied, regarding the products or services described herein or their use or applicability. All sales are governed by our terms and conditions, which are available on request. We reserve the right to modify or improve the designs or specifications of our products at any time without notice.

The Roxar products are protected by patents. See <http://www2.emersonprocess.com/en-US/brands/roxar/aboutus/Pages/Roxar-Patents.aspx> for details.