

MODEL NO.

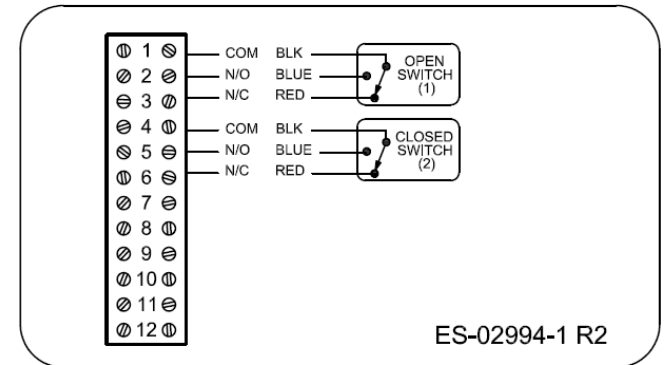
**TVL-K20GNPM**

PRODUCT LINE

**Discrete Valve Monitor**

SPECIFICATIONS

<b>Model</b>	TVL, Tropicalized Aluminum base and lid
<b>Bus/Sensor</b>	(2) Mech SPDT w/gold contacts
<b>Area Classification</b>	Class 1, Div. 1, Groups A,B,C&D; Class II, Div. 1, Groups E,F&G; Type 4, 4X; Ex ia IIC T4, Ex tb IIIC T135°C Db, IP64
<b>Visual Display</b>	90° Green Open / Red Closed
<b>Shaft</b>	NAMUR, 304 Stainless Steel
<b>Conduit Entries</b>	(2) 1/2" NPT
<b>O-rings</b>	Silicone
<b>Temperature Rating</b>	-50°C to 60°C



Current as of Jan 9, 2015 - subject to change without notice

**TOPWORX**

TopWorx, Inc.  
3300 Fern Valley Rd.  
Louisville, KY 40213

(502) 969-8000 ph.  
(502) 969-5911 fax  
www.topworx.com