

MODEL NO.

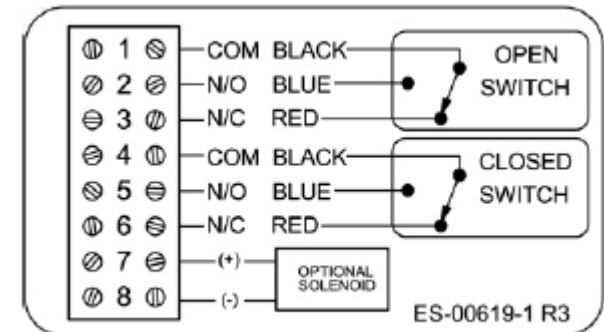
TVL-M2GFNPM

PRODUCT LINE

Discrete Valve Monitor

SPECIFICATIONS

Model	TVL, epoxy-coated A360 Aluminum base and lid
Bus/Sensor	(2) Mech SPDT (10A@250VAC)
Area Classification	cULus General purpose, Nema 4x
Visual Display	Flat Top, 90° Green Open / Red Closed Skirt indicator
Shaft	NAMUR, 304 Stainless Steel
Conduit Entries	(2) 1/2" npt
O-rings	Silicone
Temperature Rating	-20°C to 40°C



Current as of Jan 9, 2015 - subject to change without notice

TOPWORX

TopWorx, Inc.
3300 Fern Valley Rd.
Louisville, KY 40213

(502) 969-8000 ph.
(502) 969-5911 fax
www.topworx.com