

MODEL NO.

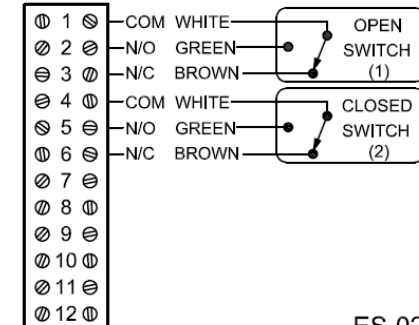
TVL-R22GNPM

PRODUCT LINE

Discrete Valve Monitor

SPECIFICATIONS

Model	TVL, Tropicalized Aluminum base and lid
Bus/Sensor	(2) SPDT Reed switch 200mA Max
Area Classification	Class 1, Div. 2, Groups A,B,C&D; Class II, Div. 2, Groups F&G; Type 4, 4X; Ex nA nC IIC T4 Gc, Ex tc IIIC T115° Dc, IP66/68
Visual Display	90° Green Open / Red Closed
Shaft	NAMUR, 304 Stainless Steel
Conduit Entries	(2) 1/2" NPT
O-rings	Silicone
Temperature Rating	-40°C to 55°C



ES-02993-1 R2

Current as of Jan 9, 2015 - subject to change without notice

TOPWORX

TopWorx, Inc.
3300 Fern Valley Rd.
Louisville, KY 40213

(502) 969-8000 ph.
(502) 969-5911 fax
www.topworx.com