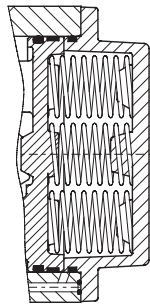
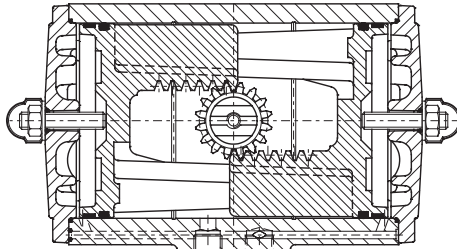


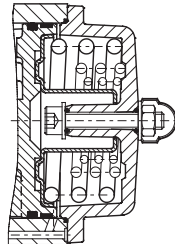
**P-Series - Double acting**



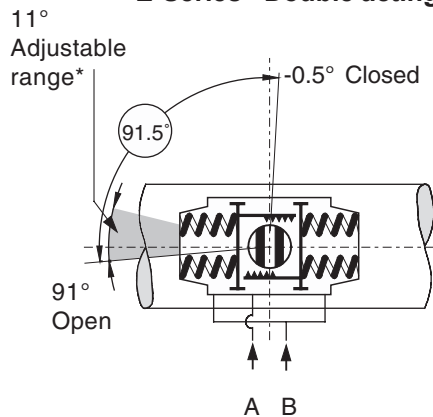
**Spring return**



**E-Series - Double acting**



**Spring return**



\* only standard on E-Series actuators

**Specification:**

- Pressure range : Double acting 0.2 to 8 bar.
- : Spring return 6 to 8 bar, with max. spring set.
- : 180° actuators 6 bar g maximum
- Torque : 14.6 to 4955 Nm at 6 bar supply. See torque datasheets 1.104.01 and 1.104.02.
- Operating media : Air, dry or lubricated and inert gasses.
- : For sub-zero applications take appropriate measures.
- Temperature : -20° to +80°C
- Lubrication : Factory lubricated for the normal life of the actuator.
- Construction : Suitable for indoor and outdoor installation.
- Finish : Polyester non-TGIC based powder coating (see data sheet 4.204.01)
- Rotation : 91.5° (-0.5° cw to 91° ccw)
- Double acting : Standard counter clockwise with port "A" pressurized (code A, see data sheet 1.503 for other assembly codes).
- Spring return : Clockwise fail action (code A, see data sheet 1.504 for other assembly codes).
- Limit stops : Standard on E-series. Adjustable range 91°/80°
- : Optional on P-series. See datasheet 1.501.01
- : For double stroke adjustment. See datasheet 1.501.05

**European Directives**

- PED : All actuators are suitable for use with Group 2 gasses according to Pressure Equipement Directive 97/23/EC.
- : Optional : actuators suitable for use with Group 1 gasses.
- ATEX : All basic actuators are suitable for use in hazardous area's classified II 2 GD, zones 1 or 2 (Gasses) and 21 or 22 (Dust).

**Note:**

1. Operating time is average with actuator under load and solenoid valve fitted.
2. Air consumption is the actual free air volume at 1 atm.
3. Pressure is in bar g.
4. ED/PD = Double acting.  
ES/PS/PE = Single acting.

ACTUATOR TYPE		E12	E25	E40	E65	E100	E200	E350	E600	E950	E1600	P2500	P4000	
<b>Bore</b>	mm.	46	56	70	80	91	110	145	175	200	230	300	325	
	<b>Stroke</b>	mm.	12,6	15,7	18,8	22	25,1	37,7	37,7	44	50,3	62,8	56,5	81,7
<b>Weight:</b>	<b>Double acting</b>	kg.	0,61	1,3	1,8	2,4	3,1	5,8	10,4	19,4	26,4	42,7	56,8	86,6
	<b>Spring return</b>	kg.	0,67	1,7	2,4	3,6	4,6	9,1	16,9	27,6	38,6	65,8	88,2	131,8
<b>Operating time</b>		sec.	0,4	0,5	0,7	1,1	1,2	2,3	3,6	4,5	5,4	6,9	7	12
<b>Air consumption at 1 atm (litres)</b>	<b>port A</b>	<b>stroke</b>	0,05	0,1	0,16	0,33	0,35	0,8	1,8	2,9	4,7	7,3	8	13,5
	<b>port B</b>	<b>stroke</b>	0,06	0,11	0,22	0,36	0,49	1	1,9	3,1	4,9	8,0	9,3	17,5