

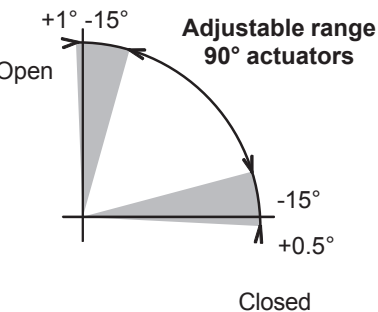
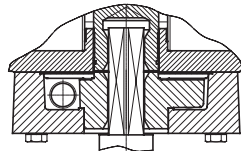
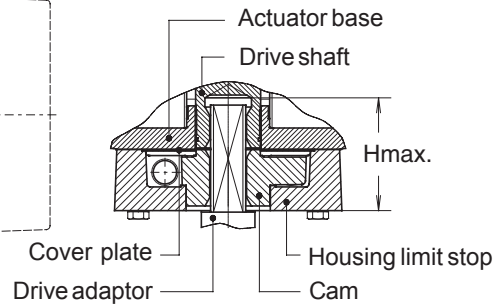
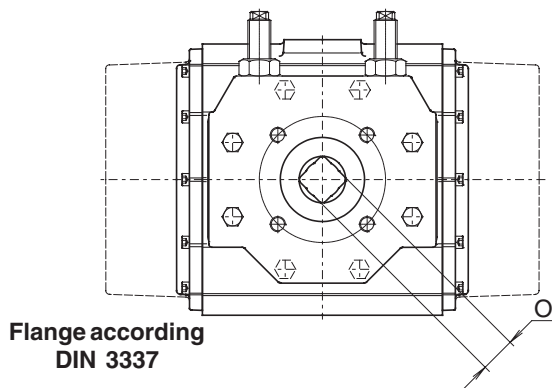
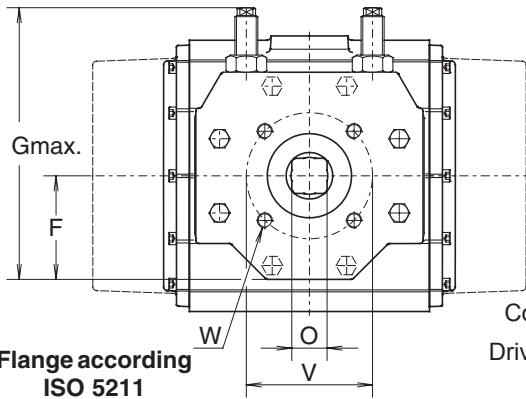
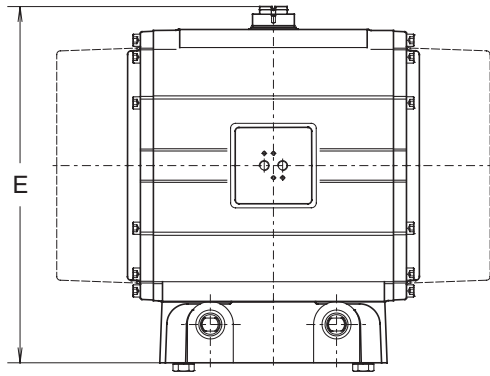
Subject to change without notice

VALVE AUTOMATION
SYSTEMS

ELCO-MATIC[®]
w w w . e l c o - m a t i c . c o m

Nr.:
1.501.03
All rights reserved

Date:
March '04



Description:

These limit stop plates are used when precise control is required for both end of stroke positions.

It is possible to adjust 15° of both ends of the standard stroke.

Construction:

The complete stop plate assembly may be added to the 90° P- series actuators. The assembly is normally sandwiched between the actuator and mounting surface of the valve or bracket. Bearing rings are used at both surfaces to provide a long life expectancy.

The unit is assembled with a drive adaptor which passes through the stop plate, into the square actuator and provides the coupling between the two components. This drive adaptor normally also accommodates the coupling of the valve stem.

Identification:

"LS420" is added to the basic part number i.e. PD2500-LS420

Other dimensions:

See data sheet 1.103.xxx

Option:

Version for 180° or DIN-standard actuator

LIMIT STOP PLATE DIMENSIONS

LS 420

Dim. in mm.	ACTUATOR TYPE	
	P2500	P4000
E	466	490
F	135	135
G	322	322
H	130	141
O	46	55
V	165	165
W	M20x30	M20x30