

Subject to change without notice

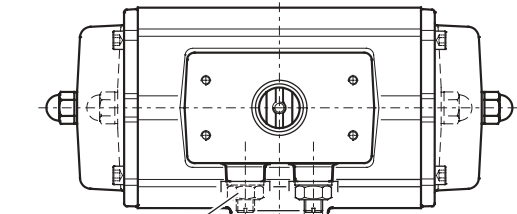
VALVE AUTOMATION  
SYSTEMS

www.elo-matic.com  
**ELO-MATIC**<sup>®</sup>

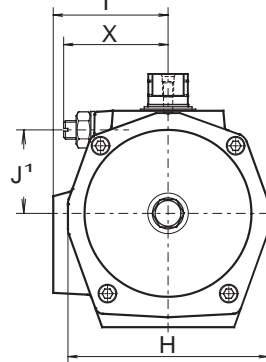
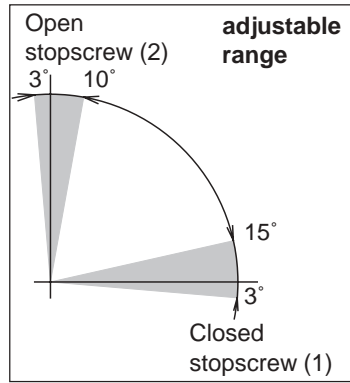
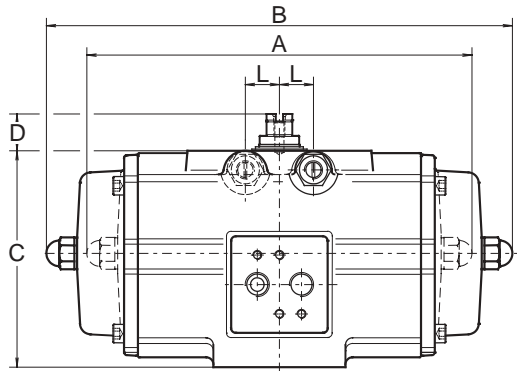
All rights reserved

A 1.501.05

April '06



Factory option:  
Fail to Open



**Description:**

Actuators with double stroke adjustment are normally used for high performance butterfly valves where a fine adjustment is required for the closed position. In this version adjustment is provided at the end of the opening and closing stroke positions. DSA actuators may be double acting or spring return, though are normally used as spring return (fail close) actuators.

**Operation:**

The closed position is adjusted by means of the stop-screw (1) located in the actuator body and for the open position by the stop-screws (2) in the actuator end caps.

**Identification:**

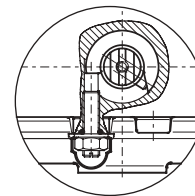
See data sheet A 1.102.10.

**Specification:**

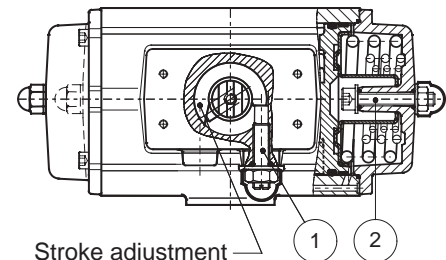
- Pressure : Up to 120 psi
- Operating media : Air, dry or lubricated or non-corrosive gas
- Torque (90°) : Data sheet A 1.104.01 - A 1.104.02
- Rotation -
  - Spring return : Clock-wise on air failure.
  - Double acting : Counter clock-wise with port "A" pressurised.
- Other dimensions : Data sheet A 1.103.XXX
- Temperature : -4° to +176° F
- Adjustable range : Closed position (1), -3° - 15°  
Open position (2), 80° - 93°

**Note:**

- 1) Can be provided with extra long end-cap stop screws for full range adjustment of the "open" position.
- 2) This DSA option is not required on actuators fitted with manual override gearboxes, as MO gearboxes already incorporate this function.



Factory option:  
"Fail open"



Stroke adjustment  
cam

Dim. in inch.	Actuator type								
	E25	E40	E65	E100	E200	E350	E600	E950	E1600
A DA	6.26	7.09	7.83	8.70	11.14	12.01	15.35	17.32	20.47
B SR	6.77	8.03	9.80	10.51	14.17	15.24	18.90	20.94	25.24
C	3.15	3.66	4.13	4.65	5.63	7.13	8.66	10.20	11.69
D	0.79	0.79	0.79	0.79	0.79	0.79	1.18	1.18	1.18
H	2.91	3.39	3.86	4.25	5.04	6.81	8.15	9.09	264.00
I	1.81	2.01	2.26	2.48	2.87	3.71	4.45	4.96	5.59
J'	1.11	1.38	1.57	1.72	2.12	2.85	3.50	4.03	4.50
L	0.45	0.61	0.61	0.73	0.97	0.97	1.63	1.63	1.87
Y	1/4"-20	5/16"-18	5/16"-19	3/8"-16	1/2"-13	1/2"-13	5/8"-11	5/8"-11	3/4"-10
X	1.42	1.63	1.63	1.99	2.46	2.85	4.02	4.02	4.31
X max.	1.63	1.91	1.91	2.30	2.91	3.31	4.51	4.51	4.88

EL-O-MATIC ACTUATOR WITH DOUBLE STROKE ADJUSTMENT

DSA