

Subject to change without notice

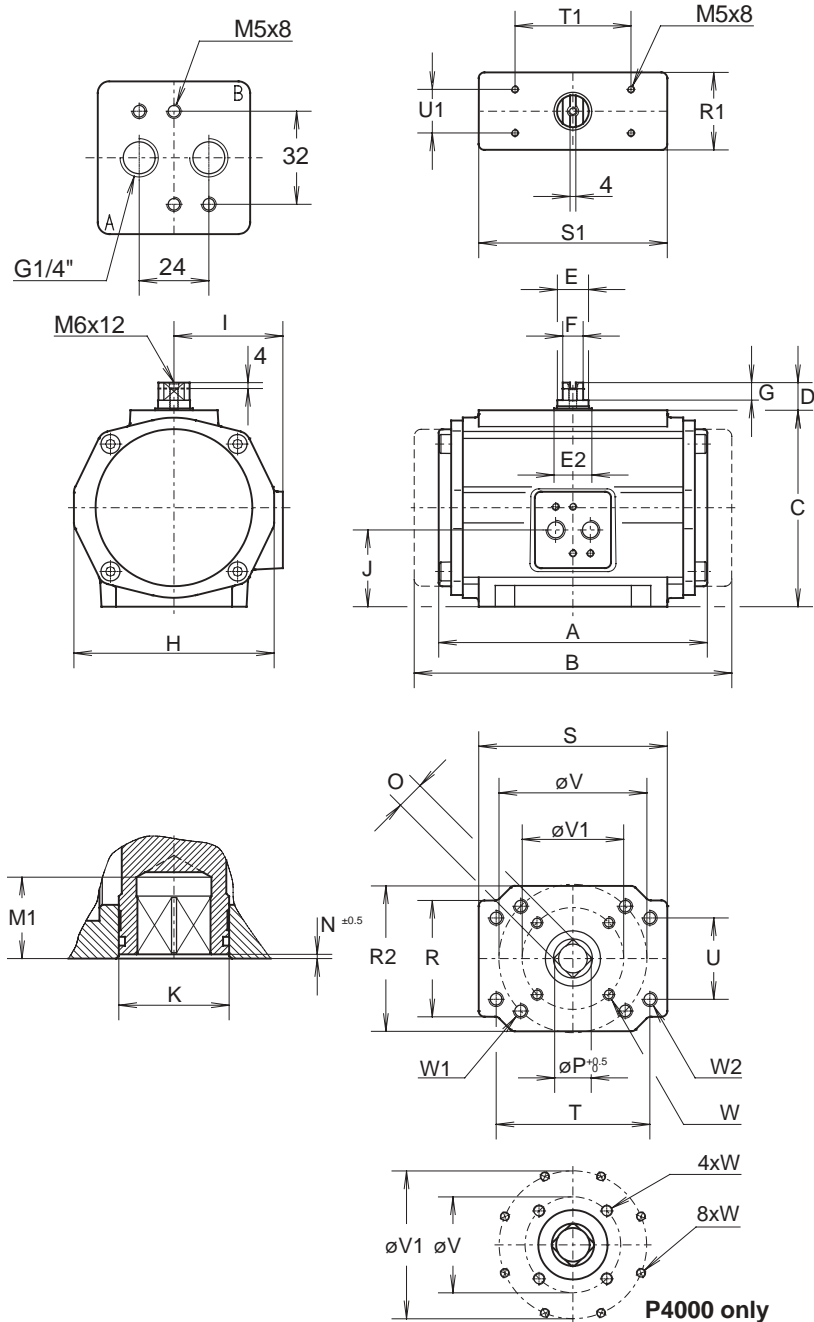
VALVE AUTOMATION
SYSTEMS

EL-O-MATIC[®]
w w w . e l - o - m a t i c . c o m

Nr.:
All rights reserved

1.203.011

Date:
March '04



| Dim. in mm. | ACTUATOR TYPE | | | | | | | | |
|----------------|---------------|------------|------------|------------|------------|------------|------------|------------|-------|
| | E12 | P60 | P150 | P280 | P500 | P750 | P1100 | P2500 | P4000 |
| A DA | 161 | 185 | 232 | 270 | 282 | 340 | 378 | 502 | |
| B SR | 182 | 216 | 311 | 352 | 380 | 475 | 570 | 834 | |
| C | 101 | 135 | 159 | 189 | 232 | 245 | 356 | 380 | |
| D | 20 | 20 | 20 | 30 | 30 | 30 | 30 | 30 | |
| E | 16 | 22 | 26 | 36 | 36 | 45 | 55 | 64 | |
| E2 | 23 | 30 | 35 | 45 | 45 | 55 | 65 | 80 | |
| F | 10 | 14 | 14 | 19 | 19 | 30 | 36 | 36 | |
| G | 12 | 12 | 12 | 19 | 19 | 10 | 10 | 10 | |
| H | 101 | 135 | 172 | 192 | 240 | 250 | 350 | 380 | |
| I | 58 | 75 | 89 | 109 | 134 | 135 | 183 | 200 | |
| J | 43 | 53 | 69 | 95 | 116 | 125 | 178 | 190 | |
| K | 28 | 38 | 48 | 56 | 56 | 75 | 85 | 120 | |
| M1 | 27 | 27 | 31 | 38 | 38 | 51 | 66 | 77 | |
| N | 1 | 1 | 1,5 | 1,5 | 1,5 | 2,5 | 3 | 1,5 | |
| O max. | 14,11 | 17,13 | 22,13 | 27,13 | 27,13 | 36,16 | 46,16 | 55,19 | |
| O min. | 14,00 | 17,00 | 22,00 | 27,00 | 27,00 | 36,00 | 46,00 | 55,00 | |
| P | 18,1 | 25,2 | 28,2 | 36,2 | 36,2 | 48,2 | 60,2 | 72,2 | |
| R | 60 | 80 | 100 | 110 | 140 | 140 | 170 | 170 | |
| R1 | 50 | 60 | 70 | 80 | 100 | 120 | 160 | 160 | |
| R2 | 70 | 100 | - | - | - | - | - | 262 | |
| S | 110 | 130 | 140 | 160 | 210 | 210 | 290 | 290 | |
| S1 | 110 | 130 | 140 | 140 | 160 | 210 | 245 | 245 | |
| T | - | - | - | 130 | 180 | 180 | 234,6 | - | |
| T1 | 80 | 80 | 80 | 130 | 130 | 130 | 130 | 130 | |
| U | - | - | - | 80 | 92 | 92 | 97,2 | - | |
| U1 | 30 | 30 | 30 | 30 | 30 | 30 | 30 | 30 | |
| | F05 | F07 | F07 | F10 | F10 | F14 | F16 | F16 | |
| V | 50 | 70 | 70 | 102 | 102 | 140 | 165 | 165 | |
| W | M6x10 | M8x13 | M8x13 | M10x16 | M10x16 | M16x25 | M20x30 | M20x30 | |
| | F07 | F10 | F10 | F12 | F12 | - | - | F25 | |
| V1 | 70 | 102 | 102 | 125 | 125 | - | - | 254 | |
| W1 | M8x13 | M10x16 | M10x16 | M12x20 | M12x20 | - | - | M16x25 | |
| W2 | - | - | - | - | - | - | M16x25 | - | |

For E12 dimensions see 1.103.102

Note:

1. Flange to ISO 5211, square drive to DIN 3337
2. Top and Solenoid flange to VDI/VDE 3845 (NAMUR)
3. 120° or 135° rotation is possible with optional L1/LF-option. See datasheet 1.501.01

DIMENSION SHEET STANDARD 180° ACTUATOR

180°