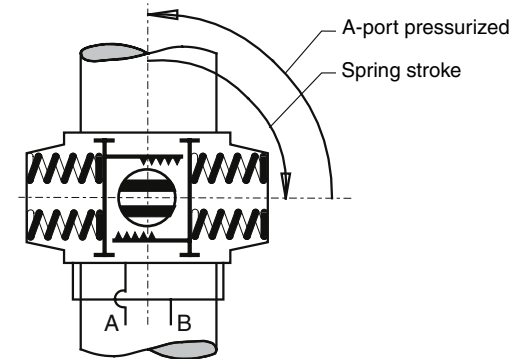
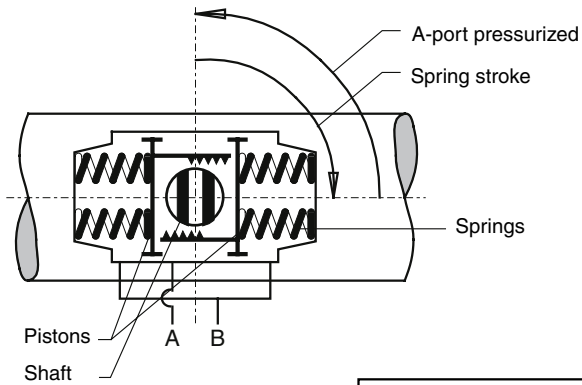


Data sheet

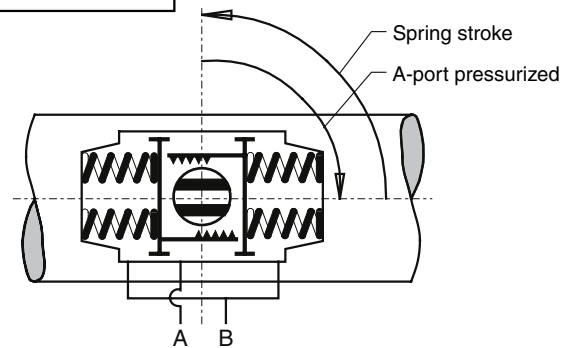
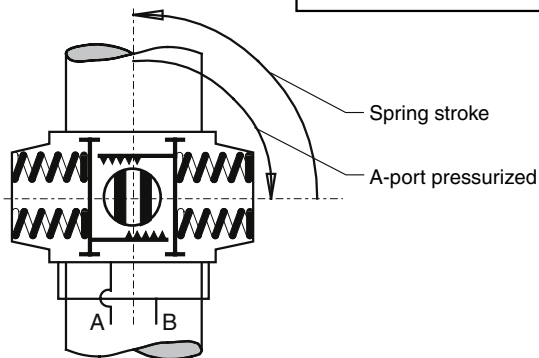
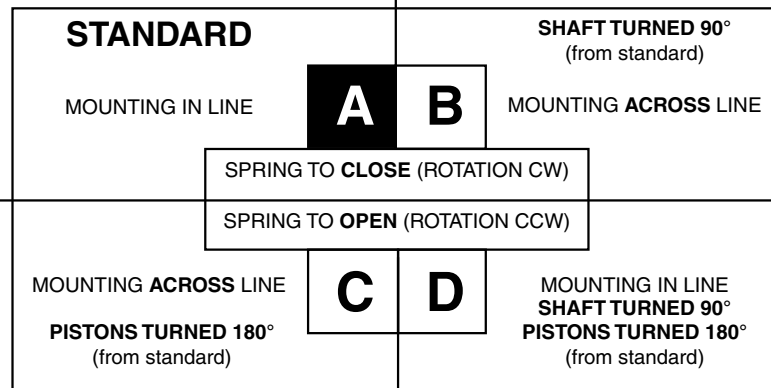
Sheet No.: A1.504 Rev. A
Date: November 2009

SPRING RETURN ACTUATOR ASSEMBLY MODES

E/P



All views are from above
Pistons are shown in inner position



www.El-O-matic.com

Copyright © Emerson Process Management. The information in this document is subject to change without notice.

Updated data sheets can be obtained from our website www.El-O-Matic.com or from your nearest Valve Automation Center **USA:** +1 813 319 0266 **Europe:** +31 74 256 10 10 **Asia-Pacific:** +65 6501 4600



EMERSON
Process Management