

Subject to change without notice

VALVE AUTOMATION SYSTEMS

www.elo-matic.com
ELO-MATIC[®]

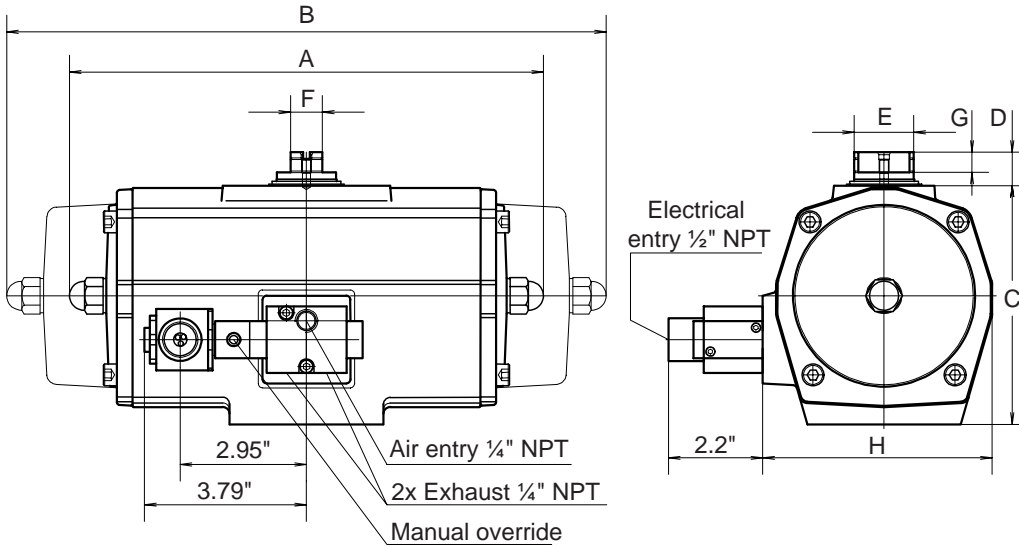
All rights reserved

A 3.101

Febr. '00

N.:

Date:



Description:

The ELO-matic "SVN" Series solenoid valve mounts directly to the actuator air inlet manifold eliminating the need for tubing or fittings which can be damaged. E12 has an adaptor plate.

The "SVN" is field convertible to 4-way or 3-way function so it can be used on double acting or spring return actuators.

Coils are continuously rated, a push and hold manual override is standard.

General Specification:

- Air pressure : 20 to 120 psi
- Lubrication : not required
- Temperature : -4° to +150°F
- Voltage : 120VAC/60Hz standard (other available)
- Enclosure : NEMA 4, NEMA 7 or intrinsically safe (IS)
- Current : 0.12A (0.7A hold) (at 120VAC/60Hz)
- Power : 7 Watts
- Air Entry/Exhaust : ¼"NPT
- Orifice : 3/16"
- Air flow : CV 0.75

Options:

Speed controls, low power, locking manual override, dual coil, fail in last position.

Ordering information:

Specify SVN, enclosure and voltage.

EL-O-MATIC ACTUATOR WITH INTEGRAL SOLENOID VALVES

SVN

Dim. in inches	Actuators E-series										P-series	
	E 12	E 25	E 40	E 65	E100	E200	E 350	E600	E950	E1600	P2500	P4000
A DA	4.06	6.26	7.09	7.83	8.70	11.14	12.01	15.24	16.69	20.31	14.88	19.76
B SR	4.65	6.77	8.03	9.80	10.51	14.17	15.24	18.78	20.35	25.08	22.44	32.83
C	2.36	3.15	3.66	4.13	4.65	5.63	7.13	8.66	10.20	11.69	14.02	14.96
D	0.79	0.79	0.79	0.79	0.79	0.79	0.79	1.18	1.18	1.18	1.18	1.18
E	0.63	0.63	0.87	0.87	0.87	1.42	1.42	2.17	2.17	2.52	2.17	2.52
E2	0.91	0.91	1.18	1.18	1.18	1.77	1.77	2.56	2.56	2.95	2.56	3.15
F	0.39	0.39	0.55	0.55	0.55	0.75	0.75	1.42	1.42	1.42	1.42	1.42
G	0.47	0.47	0.47	0.47	0.47	0.47	0.47	0.39	0.39	0.39	0.39	0.39
H	2.36	2.91	3.39	3.86	4.25	5.04	6.81	8.15	9.09	10.43	13.78	14.96
Operating times in sec. (at 80 psi. with average load)												
SVN	0.3	0.35	0.40	0.49	0.52	0.75	1.1	1.6	2.5	3.9	4.5	8.2